

STIEBEL ELTRON

Simply the Best

ELEGANTLY DESIGNED COMFORT



CK & CKT
WALL-MOUNTED
ELECTRIC FAN HEATERS



ISO 9001
CERTIFIED

- » SLEEK EUROPEAN SURFACE-MOUNT DESIGN
- » QUIET OPERATION AT 53 dB
- » BUILT-IN THERMOSTAT FOR MAXIMUM COMFORT
- » CONVENIENT 60 MINUTE TIMER ON CKT
- » DOWNDRAFT DESIGN HEATS SPACE EVENLY
- » QUALITY GERMAN MANUFACTURING
- » IDEAL ANYWHERE QUICK HEAT IS NEEDED

TOLL FREE **800.582.8423**

www.stiebel-eltron-usa.com

CK & CKT WALL-MOUNTED ELECTRIC FAN HEATERS

Elegant surface-mount design is perfect anywhere quick heat is needed. Designed and made in Germany, the heater is quiet in operation and will quickly warm an area or maintain a comfortable temperature.

The CKT adds a 60 minute timer designed to temporarily output maximum heat to quickly warm a space. When the timer goes off the unit reverts to the thermostat setting to maintain comfort.

Both models are designed with a frost protection setting. The lowest thermostat setting will maintain above freezing temperatures in an appropriately sized space.



Perfect for both retrofit and new construction. European downdraft design heats space evenly.

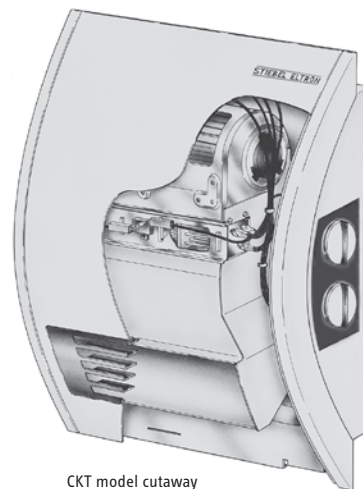
Ideal for:

- » Bathrooms » Playrooms » Campers, RVs
- » Basements » 3-Season Porches » Mobile Homes
- » Offices » Cabins » Easily replaces flush-mount heaters

Technical Data



Model	CK / CKT 15E	CK / CKT 20E	CK / CKT 20E
Item number	074058 / 230345	074059 / 230346	074059 / 230346
Voltage	120 v	208 v	240 v
Wattage	1500 w	1500 w	2000 w
Amperage	12.5 A	7.2 A	7.5 A
Rated output	5122 BTU/HR	5122 BTU/HR	6829 BTU/HR
Min. circuit breaker size	15 A	15 A	15 A
Recommended wire size	12 AWG	14 AWG	14 AWG
Heating element	nichrome wire		
Thermostat	bimetal type		
High limit	bimetal type		
Motor	18 w shaded pole		
Blower	galvanized steel, squirrel cage type		
Dimensions	18 1/8" / 460mm H x 13 1/4" / 335mm W x 4 3/4" / 123mm D		
Weight	8.0 lb / 4.4 kg		
Housing	Painted steel / plastic		
Temperature range	41-86°F / 5-30°C		
Frost protection setting	45°F / 7°C		
Operating noise	53 dB(a)		



CKT model cutaway

Distributed by:

STIEBEL ELTRON

17 West Street
West Hatfield, MA 01088

TOLL FREE 800.582.8423

PHONE 413.247.3380

FAX 413.247.3369

info@stiebel-eltron-usa.com

www.stiebel-eltron-usa.com