

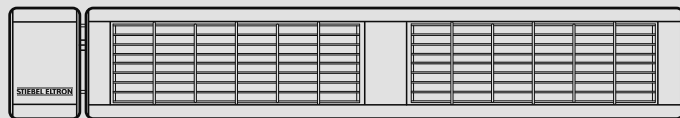
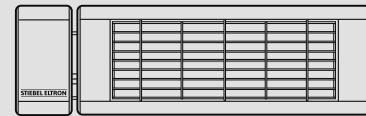
# Operation and Installation

## Guía De Funcionamiento e Instalación

### Mode D'emploi et Manuel D'installation

Wall-Mounted Infrared Room Heater | Calefactor Infrarrojo Montado en la Pared |  
Chauffage Infrarouge à Montage Mural

- » SunWarmth™ CIR 150-1 I
- » SunWarmth™ CIR 150-1 0
- » SunWarmth™ CIR 200-2 0
- » SunWarmth™ CIR 400-2 0



Certified to ANSI/UL Std. 2021  
Conforms to CAN/CSA Std. 22.2 No. 46  
Certificación con ANSI/UL Std. 2021  
Conforme a CAN/CSA Std. 22.2 No. 46  
Certifié à la norme ANSI/UL Std. 2021  
Conforme à la norme CAN/CSA Std. 22.2 No. 46

#### STIEBEL ELTRON, Inc.

17 West Street | West Hatfield, MA 01088  
Tel. 413-247-3380 | Fax 413-247-3369  
Email [info@stiebel-eltron-usa.com](mailto:info@stiebel-eltron-usa.com)  
[www.stiebel-eltron-usa.com](http://www.stiebel-eltron-usa.com)

**STIEBEL ELTRON**

Simply the Best

## OPERATION

<b>1. Important instructions</b>	<b>2</b>
1.1 Document information	3
1.2 Key to symbols	3
<b>2. Safety</b>	<b>3</b>
2.1 Minimum required clearances	3
2.2 Intended use	4
2.3 Safety information	4
2.4 ETL / UL / CSA designation	4
<b>3. Register your product</b>	<b>4</b>
<b>4. Appliance description</b>	<b>4</b>
<b>5. Operation</b>	<b>5</b>
5.1 Starting the heater	5
5.2 Shutting down the heater	5
<b>6. Cleaning, care and maintenance</b>	<b>5</b>
6.1 Maintenance	5
6.2 Cleaning	5
<b>7. Safety</b>	<b>5</b>
7.1 General safety instructions	5
7.2 Instructions, standards and regulations	5
<b>8. Appliance description</b>	<b>5</b>
8.1 Standard delivery	5

## INSTALLATION

<b>9. Installation</b>	<b>6</b>
9.1 Project design considerations & guidelines	6
9.2 General installation instructions	6
9.3 Locating the heater	7
9.4 Mounting the heater	7
9.5 Minimum required clearances	7
9.6 Power supply	8
9.7 Heat lamp replacement	9
<b>10. Appliance handover</b>	<b>15</b>
<b>11. What to do if ...</b>	<b>15</b>
<b>12. Specification</b>	<b>15</b>
12.1 Recommended mounting and coverage specifications	15
12.2 Wiring diagrams	15
12.3 Dimensions	16
12.4 Specification table	17
<b>13. Spare Parts</b>	<b>17</b>
<b>14. Warranty</b>	<b>18</b>

## OPERATION

### 1. Important instructions

#### Save these instructions

When using electrical appliances, basic precautions should always be followed to reduce the risk of fire, electric shock, injury to persons or death, and property damage including the following:

- 1 This heater must be installed only by a qualified electrician. Read and understand all instructions before installing, using or servicing this heater. Improper installation, operation, adjustment, alteration, service or maintenance can result in the risk of fire and electrical shock, and may cause property damage, injury or death.
- 2 This heater is hot when in use. To avoid burns, do not let bare skin touch hot surfaces. Keep electrical cords and combustible materials, such as furniture, pillows, bedding, papers, clothes, etc. and curtains at least 3 feet (1 m) from the front of the heater and keep them at least 3 feet (1 m) away from the sides and rear.
- 3 Extreme caution is necessary when any heater is used by or near children or invalids.
- 4 Never leave the heater unattended during operation. Unplug 120 V models or turn off circuit breaker(s) on 240 V models if not in use.
- 5 Do not operate any heater with a damaged cord or plug, or after the heater malfunctions, or if it has been dropped or damaged in any manner. Return heater to an authorized service facility for examination, electrical or mechanical adjustment, or repair.
- 6 These heaters are not for use in bathrooms, laundry areas, and similar indoor locations. Never locate heater where it may fall into a bathtub or other water container.
- 7 Model CIR 150-1 I is for indoor use only. Do not use this model outdoors or in wet environments. Models CIR 150-1 O, CIR 200-2 O, and CIR 400-2 O may be used outdoors or in wet environments.
- 8 Do not run cord under carpeting. Do not cover cord with throw rugs, runners, or the like. Arrange cord away from traffic areas where it will not be tripped over.
- 9 Arrange the cord at the side and back of the heater - do not allow cord to drape over the heater.
- 10 To disconnect heater remove plug from outlet (120 V models) or switch off at power source (240 V models).
- 11 120 V models CIR 150-1 I and CIR 150-1 O must be connected to a 120 V outlet that is properly grounded and controlled by a timer switch.
- 12 240 V models must be hard wired to a circuit that is properly grounded and controlled by a timer switch. Copper wire is required.
- 13 Do not insert or allow foreign objects to enter the heater or any ventilation or exhaust opening as this may cause an electric shock, fire, or damage the heater. Death, personal injury or property damage could result.
- 14 To prevent a possible fire, do not block air intakes or exhaust in any manner. Do not use on a soft surface, like a bed, where openings may become blocked.

# OPERATION

## SAFETY

- 15 Use this heater only as described in this manual. Any other use not recommended by the manufacturer may cause fire, electric shock, and death or injury to persons and property damage.
- 16 With 120 V models, avoid the use of an extension cord because the extension cord may overheat and cause a risk of fire. **IMPORTANT:** However, if you have to use an extension cord, the cord shall be No. 14 AWG minimum size and rated for not less than 1875 watts.
- 17 Do not touch an operating heater or live parts - burns, electric shock and death or personal injury can result.
- 18 All CIR models must be installed on a timer or timer switch. Consult local electrician/installer for installation details.
- 19 Do not adjust the heater on the swivel bracket during operation. Allow heater to completely cool before making any adjustment to the heater position.
- 20 Do not stare at the heater lamp - damage to your eyes could occur.
- 21 After use, allow the heater to cool down before touching, moving, or storing.
- 22 These instructions belong with the heater for ready reference. Keep this manual in a safe place near the heater.

### 1.1 Document information

The chapter **Operation** is intended for users and qualified installers. The chapter **Installation** is intended for qualified installers.



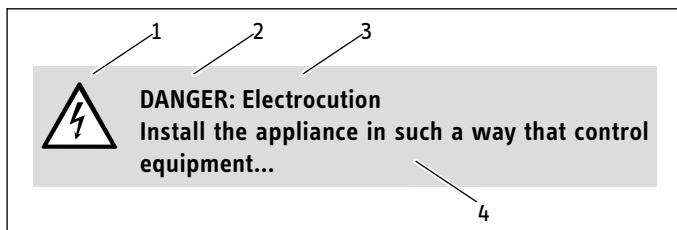
Read these instructions carefully before using the appliance and retain them for future reference. Pass on the instructions to any new users.

### 1.2 Key to symbols

#### 1.2.1 Layout of safety information

Safety information comprises a warning symbol, a keyword text with information. Safety information is printed on a grey background.

Example:



- 1 Symbol
- 2 Keyword
- 3 Description
- 4 Information text

#### 1.2.2 Text symbols and layout in this documentation



Read the text next to this "»" symbol carefully.

» The "»" symbol indicates that you should do something. The action you need to take is described step by step.

– Passages with the "-" symbol show you lists of items.

#### 1.2.3 Information on the appliance



Never cover the appliance

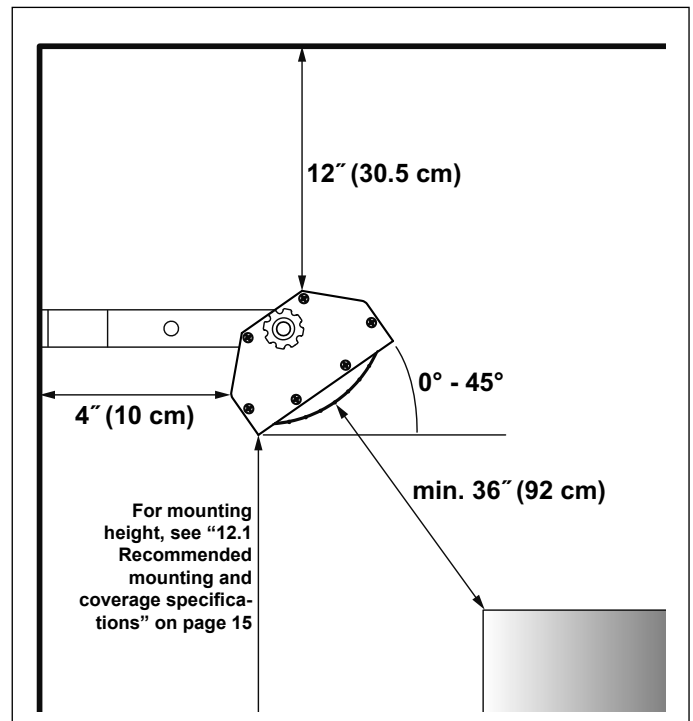
#### 1.2.4 Units of measurement



The dimensions in this document are given in in. (cm). Any alternative units of measurements are specified accordingly.

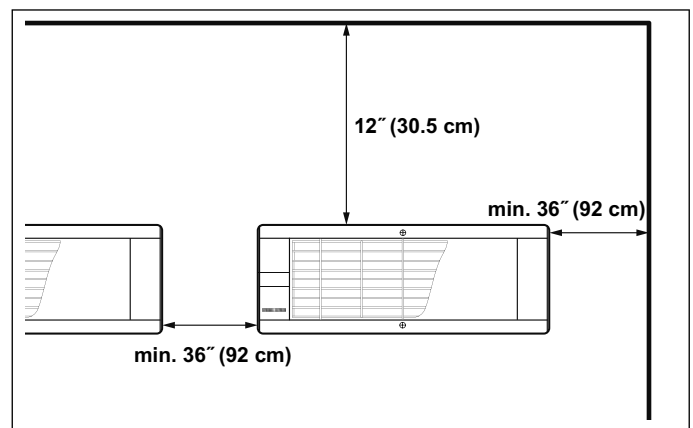
## 2. Safety

### 2.1 Minimum required clearances



Do not place anything closer than 36" (92 cm) in front of or below the heater.

Fasten brackets to structural member (or equivalent strength and integrity) of a non-combustible wall surface.



## OPERATION

### REGISTER YOUR PRODUCT

#### 2.2 Intended use

This appliance is designed to heat living areas. Model CIR 150-1 I is for indoor use only. Models CIR 150-2 O, CIR 200-2 O and CIR 400-2 O are for outdoor or indoor use.

Any other use beyond that described shall be deemed inappropriate. Correct use of this appliance also includes following all instructions in this manual. Any modifications or conversions to the appliance void all warranty rights.

#### 2.3 Safety information

Only operate the appliance when fully installed by a licensed electrician and with all safety equipment fitted.

**WARNING: Fire**

Never operate this appliance ...

- in rooms where the appliance is at risk of fire or explosion as a result of chemicals, dust, gases or vapors.
- in the direct proximity of pipes or receptacles that carry or contain flammable or explosive materials.
- if work such as laying cables, grinding or sealing is carried out in the installation room.
- if sprays, floor polish or similar products containing gasoline are used. Vent the room sufficiently before heating.
- if the minimum clearances to adjacent object surfaces are not maintained, for example to furniture, net curtains, curtains, textiles or other flammable materials (for minimum clearances, see drawing above).
- if an appliance component is damaged, the appliance has fallen over or already had a fault.

**WARNING: Injury**

Where children or persons with limited physical, sensory or mental capabilities are allowed to control this appliance, ensure that this will only happen under supervision or after appropriate instructions by a person responsible for their safety. Children must be supervised and instructed to ensure that they never play with the appliance.

**WARNING: Fire**

Never place any flammable, combustible or insulating objects or materials, such as laundry, blankets, magazines, containers with floor polish or petroleum products, spray cans or similar on the appliance or in direct proximity to it.

**WARNING: Fire**

Never leave the heater unattended during operation. Heater must be installed on a timer switch. Unplug 120 V models or turn off circuit breaker(s) on 240 V models if not in use.

**WARNING: Electrocutation**

Always disconnect the heater from the power source prior to servicing. Failure to do so may result in serious bodily injury or death.

Do not use or locate the appliance where it could fall into a bathtub or other water container.

**WARNING: Burns**

The surfaces of the appliance casing become hot during operation. Do not touch this appliance while in operation. Allow to completely cool after use and before touching.

**CAUTION: Overheating**

Never cover the appliance

#### 2.4 ETL / UL / CSA designation

The ETL / UL designation shows that the appliance meets all essential requirements according to ANSI/UL 1278 or 2021 and CAN/CSA C22.2 No.46.

##### 2.4.1 Type label

See type plate. The type plate is located on the top in the center of the exterior of the appliance.

### 3. Register your product



You must register this product within 90 days of purchase on our web site in order to activate any standard warranty or to be eligible for the extended warranty. Go to our website at: [www.stiebel-eltron-usa.com](http://www.stiebel-eltron-usa.com) and click on "Register Your Product."

Before beginning the registration process, we suggest that you gather the necessary information as follows:

**Type, Example:** CIR 150-1 I (from the label that is on the top of the unit in the center)

**Number listed after "Nr.:"**

**Place of Purchase**

**Purchase Date**

**First & Last Name**

**Email address**

**Physical Address**

**Phone Number**

If you have any questions concerning the registration process or warranty options, please contact Stiebel Eltron USA directly at (800)-582-8423.

### 4. Appliance description

The appliance is a radiant heater that uses short-wave infrared light. It is designed to heat objects, not the air in the space. It is designed for installation on a wall or post.

All models are suitable as a spot heating system for indoor living areas such as garages or workshops, or for livestock. Note: Model CIR 150-1 I is for indoor use only! Models CIR 150-1 O, CIR 200-2 O, and CIR 400-2 are also suitable for spot heating outdoor living areas, for example, patios, balconies and decks.

The radiant heater casing is made of aluminum. The protective grill and screws are made from stainless steel.

## 5. Operation



**WARNING: Fire**

Never leave the heater unattended during operation. Heater must be installed on a timer switch. Unplug 120 V models or turn off circuit breaker(s) on 240 V models if not in use.

### 5.1 Starting the heater

- » For 120 V models, plug the unit into a grounded electrical outlet connected to a timer switch. Set timer switch for desired operating time.
- » For 240 V models, turn on the circuit breaker(s) the unit is connected to. Set timer switch for desired operating time.

### 5.2 Shutting down the heater

- » For 120 V models, turn off unit at timer switch and unplug the unit's cord from the wall outlet.
- » For 240 V models, turn off unit at timer switch and power at the circuit breaker panel.

## 6. Cleaning, care and maintenance



**WARNING:**

Before cleaning, make sure the power has been turned off at the circuit breaker panel or unplugged from the wall outlet, and that the heating element of the heater is cool. Ensure power remains disconnected during entire installation. Failure to do so could result in serious burns, electrocution, serious bodily injury, or death.

### 6.1 Maintenance

- » Inspect the heater and cord prior to each use.
- » Clean any accumulation of dust or dirt from surfaces and in particular from the reflector and any air openings in the heater body (see "6.2 Cleaning" on page 5).
- » Inspect the electrical cord and plug for damage or fraying:
  - Do not operate the heater with a damaged cord or plug.
  - Have damaged parts replaced by a qualified electrician.
- » Any damaged parts or components must be repaired or replaced prior to operation.

### 6.2 Cleaning



**CAUTION: Fire**

Never spray cleaning spray into the reflector or any openings. Ensure that no moisture can enter the appliance.

- Before cleaning, disconnect the heater from the power supply and allow to cool.
- Do not touch the heat lamp with your fingers - oil from your skin will damage the lamp.
- To clean the heater surface, reflector, and air inlets: Use only a dry or damp cloth or low pressure air stream (computer 'duster' in a can).

- Do not use any abrasive or caustic cleaning agents.
- Never immerse the appliance in water! Danger to life!
- If a heater is exposed to water beyond the intended use of outdoor models, have a qualified electrician inspect and repair the heater prior to use.
- As part of regular maintenance, we recommend also having the control components checked. The safety and control components should be checked by a contractor no more than ten years after commissioning.

## 7. Safety

Only qualified contractors should carry out installation, commissioning, maintenance and repair of the appliance.

### 7.1 General safety instructions

We guarantee trouble-free function and operational reliability only if the original accessories and spare parts intended for the appliance are used.



**DANGER: Electrocution**

If you mount the appliance on the wall, do so in such a way that control equipment cannot be touched by a person in the bath or shower.



**CAUTION:**

- Observe the minimum clearances to adjacent object surfaces (see "9.5 Minimum required clearances" on page 7).
- Never install the appliance directly below a wall socket.
- Ensure that the power cable is not in contact with any appliance components.

### 7.2 Instructions, standards and regulations



Observe all applicable national and regional regulations and instructions.

## 8. Appliance description

### 8.1 Standard delivery

- Heater unit
- Wall mounting bracket including fixing screws, locking washers and nut

# INSTALLATION

## 9. Installation

### 9.1 Project design considerations & guidelines



**NOTE:** All CIR Infrared Heaters must be installed on a timer or timer switch.



**NOTE:** Refer to “9.5 Minimum required clearances” on page 7 regarding the minimum required clearances.

The size and quantity of heaters (amount of heat input) required over an area to provide comfort is affected by the following factors:

#### 9.1.1 General:

- Amount of air movement in the area: “wind chill” requires additional heat input
- Provide wind breaks wherever possible
- “Spot heating” comfort is most effective if people are heated from at least two sides
- Available mounting height for heaters at the project site

#### 9.1.2 Indoor application:

- “Space heat” the entire structure (accurate heat loss calculation required. For assistance contact Stiebel Eltron at 800-582-8423 or info@stiebel-eltron-usa.com), or
- “Spot heat” only part of a cold indoor area
- The activity level of the people: seated at rest, hard physical labor, etc.

#### 9.1.3 Outdoor application:



**NOTE:** MODEL CIR 150-1 I IS FOR INDOOR USE ONLY!

- Any area heated outdoors is “spot heat”
- Models CIR 150-1 O, CIR 200-2 O, and CIR 400-2 O are for indoor or outdoor use
- » Desired temperature rise:
  - In what seasons is comfort required and what is the outside design temperature?
  - Then what temperature rise is desired for comfort? (10°, 15°, 20°, 25°)
- » Calculate the required input to get the desired average temperature rise:

#### Input Required per Area per Degree Comfort Temperature Rise

	Heat density per degree F W/(ft <sup>2</sup> )/°F	Heat density per degree C W/(m <sup>2</sup> )/°C
Outdoor heating (up to 10 mph wind)	2	40
Indoor spot heating (protected area, low air movement)	0.75	14

» Input formula = Site Length x Site Width x Temperature Rise x Heat Density per Degree

Example:

- Outdoor patio: 30 feet long by 10 feet wide
- Desired temperature rise: 20°F (average over the area)
- 30 x 10 x 20 x 2 = 12,000 Watts total input required

Compare the values of the available mounting height and area dimensions at the project site to the recommended mounting heights, length and width of coverage area, and typical average heat distribution in “9.1 Project design considerations & guidelines” on page 6.

Layout:

- Space the heaters uniformly around the perimeter (and if required, in the center or throughout the area) to provide sufficient heat density to accomplish the desired temperature rise or spot heat only specific locations within the area.
- Provide heat from at least two sides wherever possible



**NOTE:** The design information presented here is intended as a guideline. The accuracy of determining or estimating all factors above will affect performance and satisfaction. Air movement in particular will affect comfort.

### 9.2 General installation instructions



**NOTE:** Read all instructions and plan the installation before proceeding.

This appliance conforms to ANSI/UL 1278 or 2021 and is certified to CAN/CSA C22.2 No.46.

The model CIR 150-1 I is approved for indoor use only. Do not use this heater in environments such as bathrooms and laundry rooms. The heater is supplied with an 8 ft (2.4 m) cord with a three prong plug that must connect to a properly grounded 115-120 V outlet on a copper wire electrical supply circuit controlled by a timer switch.

Models CIR 150-2 O, CIR 200-2 O and CIR 400-2 O are approved for outdoor and indoor use. Do not use these heaters in environments such as bathrooms and laundry rooms. These models must be connected to a properly grounded 240 V copper wire electrical supply circuit(s) controlled by a timer switch. Installation must conform with the latest edition Electrical Code ANSI/NFPA N0 70 in the U.S.A. and PART 1 CSA C22.1 in Canada.

A mounting bracket suitable for a wall or post is supplied with the heater. The heater must be mounted to this bracket during operation. Hardware to fasten the mounting bracket to the structure is determined by site conditions, and is field supplied by the installer.



**WARNING: Fire**  
When installing models CIR 150-1 I or CIR 150-1 O avoid the use of an extension cord because the extension cord may overheat and cause a risk of fire. However, if you must use an extension cord, the cord shall be No. 14 AWG minimum size and rated not less than 1875 Watts.

# INSTALLATION

## INSTALLATION



**WARNING: Fire**

Always maintain the minimum clearances from the floor, ceiling, side walls, and combustible materials. Refer to “9.5 Minimum required clearances” on page 7.

### 9.3 Locating the heater



**WARNING:**

Use of this heater in coastal salt-air regions can result in corrosion of the aluminum body and reflector, and premature failure of the heat lamp. Corrosion and failure resulting from use in coastal areas is not covered by warranty.

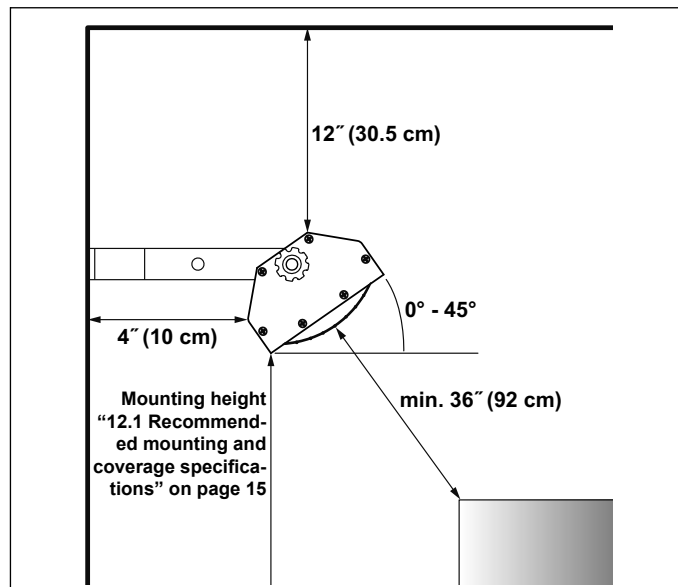
- 1 The heater is designed for wall or post mounting and must be installed at a minimum height above the floor. See “12.1 Recommended mounting and coverage specifications” on page 15 for details.
- 2 Ensure that clearances from the heater meet or exceed the minimum required clearances in “9.5 Minimum required clearances” on page 7: Above; to the Floor; to a Side wall; and to combustible materials.
- 3 Models CIR 150-1 I and CIR 150-1 O must plug in to a properly grounded 120 V outlet controlled by a timer switch. Ensure the electrical outlet is readily accessible to be able to disconnect the heater when needed. Models CIR 200-2 must be connected to a properly grounded 240 V copper wire circuit controlled by a timer switch. Model CIR 400-2 O must be connected to two (2) independent grounded 240 V copper wire circuits controlled by a timer switch.
- 4 The heater should never be placed nor mounted directly under a wall electrical outlet.
- 5 A minimum distance of 36” (92 cm) must be maintained between the front grille and flammable items (e.g. curtains, walls and other structures).
- 6 Do not allow an electrical cord to pass in front of the heater or to touch any hot surface.
- 7 Since the appliance radiates heat, no obstruction or object such as furniture should be placed between the heater and the person being heated.
- 8 Do not use heater on a soft surface, like a bed, where air openings may become blocked.
- 9 A heater has hot surfaces and potentially arcing or sparking parts inside. Do not use in areas where gasoline, paint, or flammable vapors or liquids are used or stored.

### 9.4 Mounting the heater

- 1 Mount the heater securely to a surface or structural member, and maintain at least all minimum clearances indicated in “9.5 Minimum required clearances” on page 7.
- 2 Use the mounting bracket supplied with the heater - see “9.5 Minimum required clearances” on page 7.
- 3 Hardware to fasten the mounting bracket to the structure is field supplied by the installer since the type of hardware fastening is determined by site conditions.

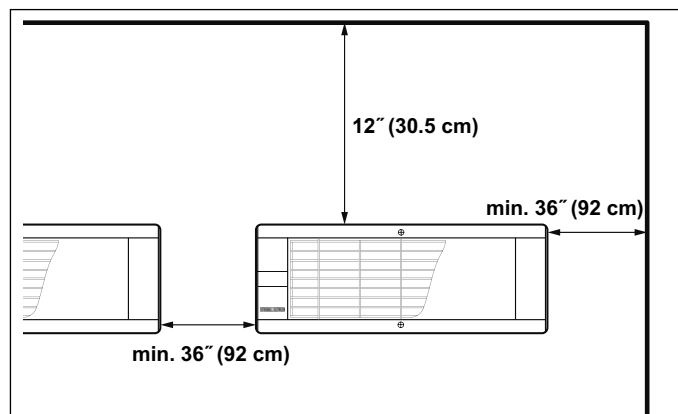
- 4 Models CIR 150-1 I and CIR 150-1 O: If at all possible, locate the mounting bracket so that the electrical cord 8’ (2.4 m) can be plugged into an electrical outlet (grounded 120 V) without stretching the electrical cord taut. See important notice (“9.2 General installation instructions” on page 6) regarding the use of an extension cord.
- 5 Never allow an electrical cord to pass in front of the heater or to come into contact with any hot surface of the heater.
- 6 The mounting bracket fastens to the structure using field supplied bolts or lag screws through two holes in one side of the bracket. The heater bracket fastens to the mounting bracket through the outermost hole on the other leg of the mounting bracket using the bolt, lock washer and nut supplied.
- 7 Fasten the mounting bracket plumb and level so that the heater is oriented horizontally on the long axis.
- 8 Ensure that the mounting bracket is firmly fastened to the structure with bolts or lag screws (field supplied) of sufficient strength and integrity to support the weight and prevent movement of the heater. It is recommended to fasten the mounting bracket to a structural member (wall stud, etc.).

### 9.5 Minimum required clearances



Do not place anything closer than 36” (92 cm) in front of or below the heater.

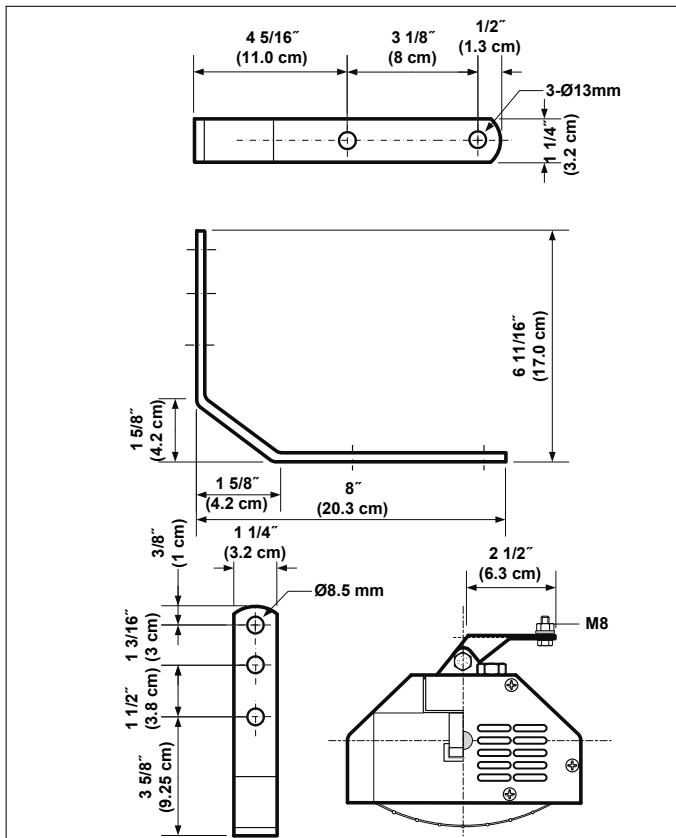
Fasten brackets to structural member (or equivalent strength and integrity) of a non-combustible wall surface.



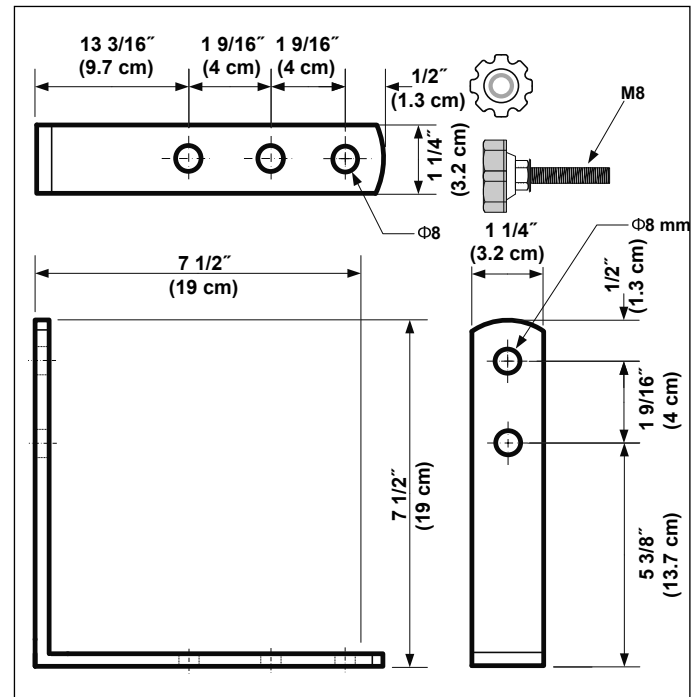
# INSTALLATION

## INSTALLATION

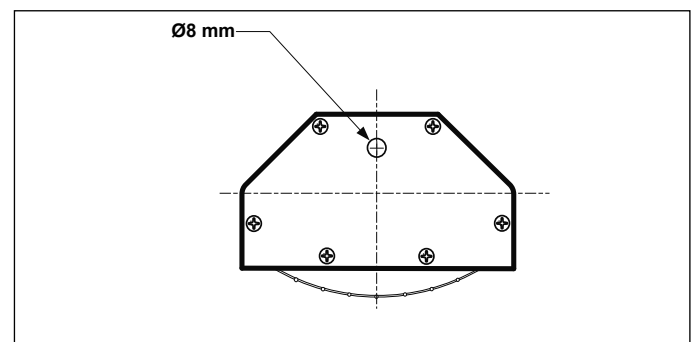
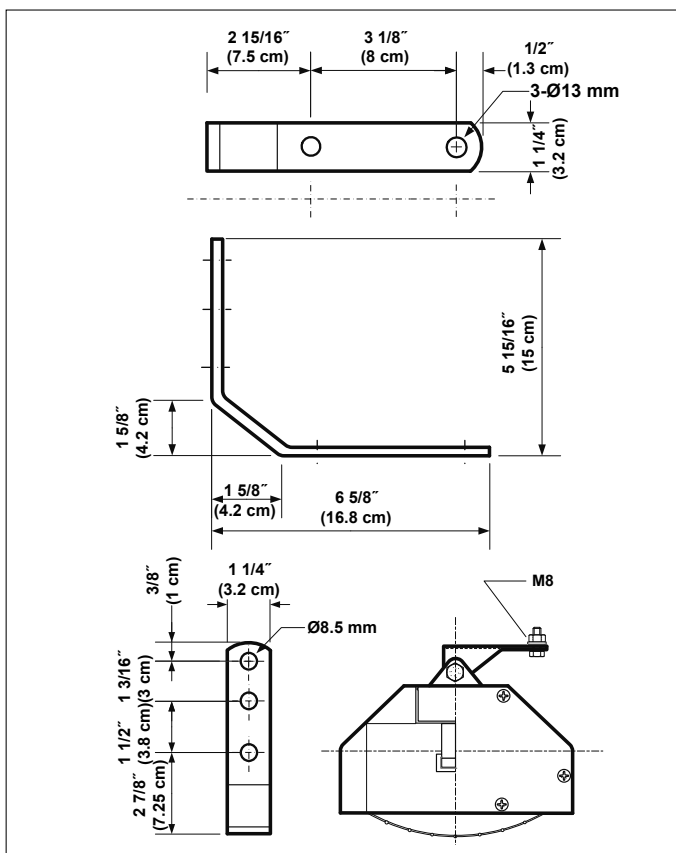
Mounting Bracket for CIR 150-1 I and CIR 150-1 O



Mounting Bracket for CIR 400-2 O



Mounting Bracket for CIR 200-2 O



- 1 Attach the heater bracket to the mounting bracket (outermost hole), using the bolt, lock washer and nut supplied. Tighten securely.
- 2 The bracket attached to the top of the heater allows rotation up to 45° on the short axis by loosening the attachment bolt.
- 3 Once heater position is established, tighten all nuts and bolts at mounting and heater bracket connections to maintain the heater in a secure and stable position.
- 4 Read and follow all warnings, and the following section on Operation to enjoy safe operation of the heater.

### 9.6 Power supply



**DANGER: Electrocutiion!**

Carry out all electrical connection and installation work in accordance with all national, state and local building code.



**DANGER: Electrocutiion!**

Each 240 V heater must be wired directly to a circuit with a timer switch and the proper size breaker and wire gauge.



# INSTALLATION

## INSTALLATION



**DANGER: Electrocutation!**  
Do not plug models CIR 200-2 0 or CIR 400-2 0 into a wall outlet.



**NOTE:** The specified voltage on the nameplate must match the voltage at the circuit breaker panel.

Electrical connection must be performed by a qualified electrical tradesperson. Installation must conform with the latest edition Electrical Code ANSI/NFPA NO 70 in the U.S.A. and PART 1 CSA C22.1 in Canada.

### 9.6.1 CIR 150-1 I and CIR 150-1 0

Plug heater into a properly grounded wall outlet connected to a 120 V, 60Hz, 20 Amp copper wire circuit that is properly grounded and controlled by a timer switch.

### 9.6.2 CIR 200-2 0

Using 12 AWG copper wire, connect the heater to a 240 V, 60Hz, 15 Amp circuit breaker that is properly grounded and controlled by a timer switch.

### 9.6.3 CIR 400-2 0

Using 12 AWG copper wire, connect the heater with a timer switch to each of two independent 240 V, 60Hz, 15 Amp circuit breakers that are each properly grounded.

## 9.7 Heat lamp replacement



**WARNING:**  
Heater service should only be performed by a qualified electrician. Failure to comply could result in personal injury, death, fire and/or property damage. Tampering with the heater by an unqualified person will void the warranty.



**WARNING:**  
Before servicing, make sure the power has been turned off at the circuit breaker panel or unplugged from the wall outlet, and that the heating element of the heater is cool. Ensure the power remains disconnected the entire time the unit is being serviced. Failure to do so could result in serious burns, electrocution, serious bodily injury, or death.



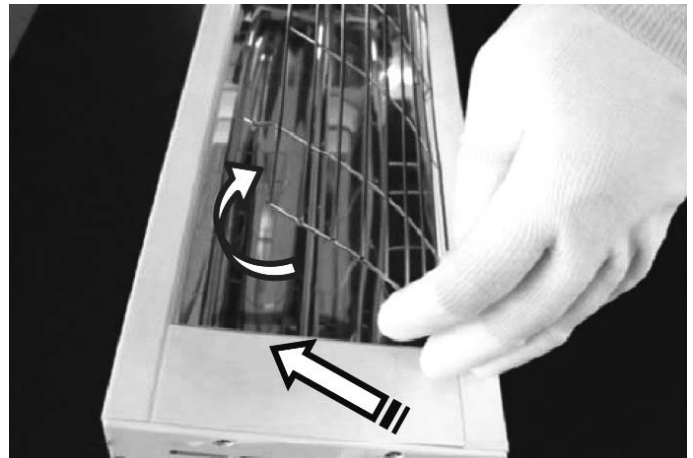
**CAUTION:**  
Always wear cotton or other fabric gloves when replacing heat lamp.  
Do not touch the lamp surface with your bare hands. Oils from your skin will cause damage to the lamp.

The heater requires some disassembly to access electrical connections when replacing the lamp.

Use a container to securely store disassembled components and screws.

### 9.7.1 Heat lamp replacement - CIR 150-1 I

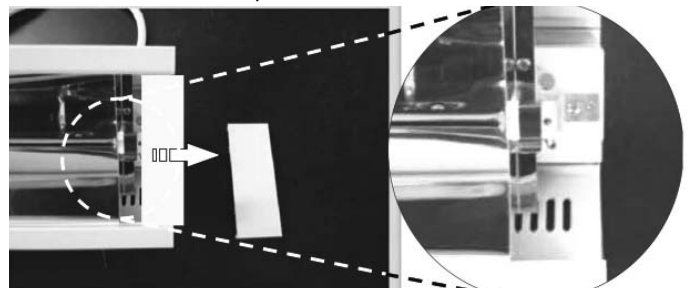
- 1 Compress the width of the protective grill to retract the wire tabs from under one edge of the heater body.
  - » Rotate the loose edge of the grill up and away from heater body.
  - » Pull the grill away from heater and remove from other edge of heater body - place safety grill in a secure storage area:



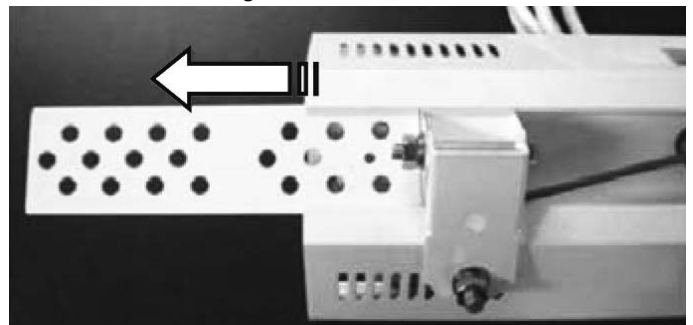
- 2 Remove end cover at both ends of heater. Six (6) Phillips screws hold the end cover in place. Remove the screws to secure storage:



- 3 Slide out the face plate at each end of heater to expose both ends of the heat lamp:

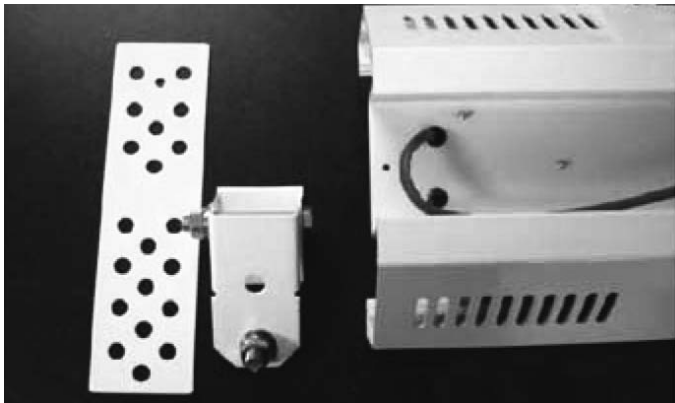


- 4 Turn heater face down, and slide the center cover plate and the heater mounting bracket out of the heater:

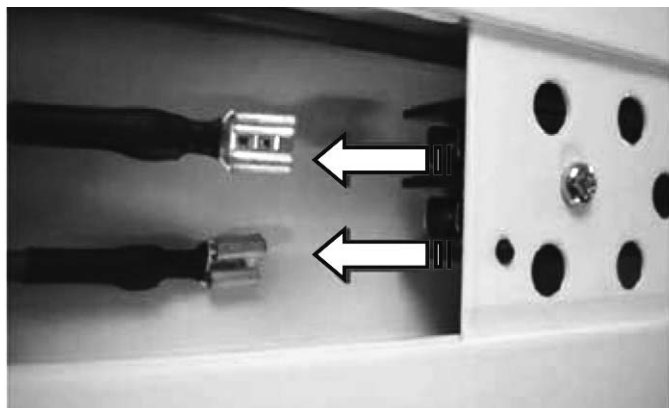


# INSTALLATION

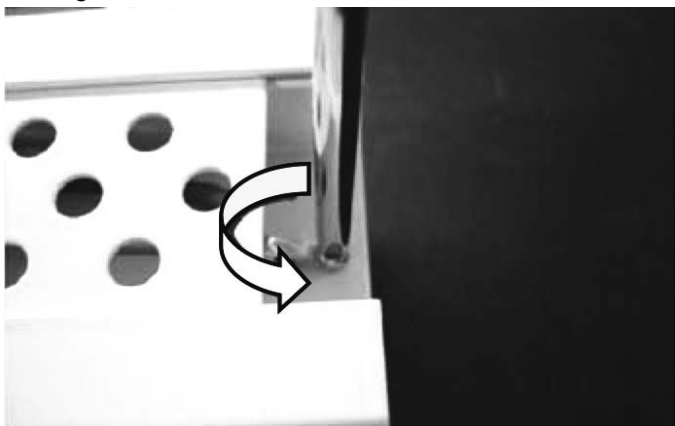
## INSTALLATION



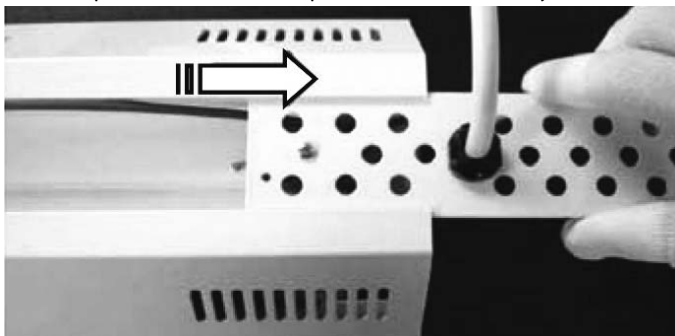
5 Disconnect electrical supply cord spade connectors from terminals:



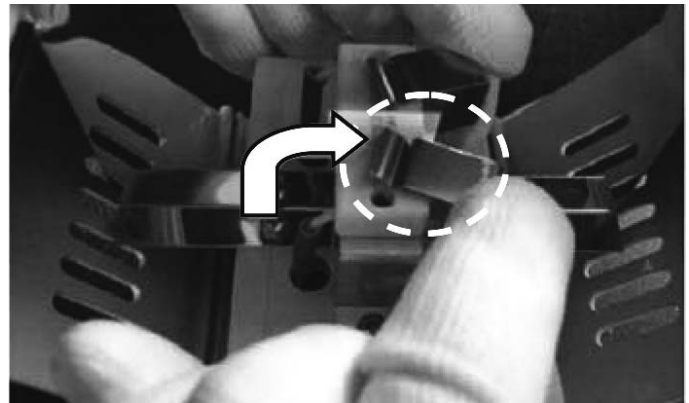
6 Disconnect ground wire (electrical supply cord) from the heater body by removing the anchor screw from the eye of the ground terminal:



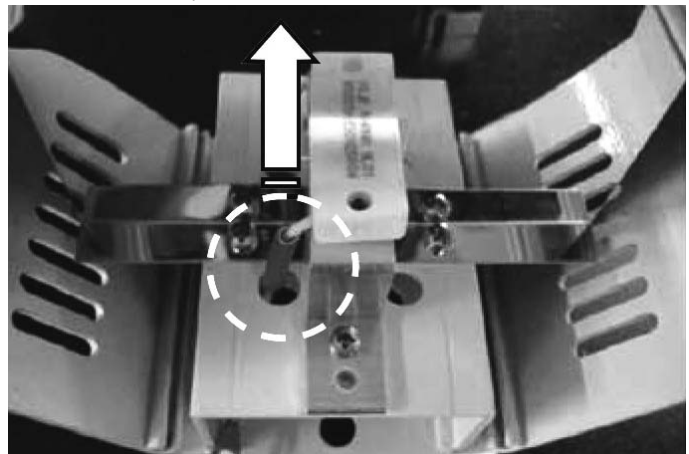
7 Slide power cord retainer plate from heater body:



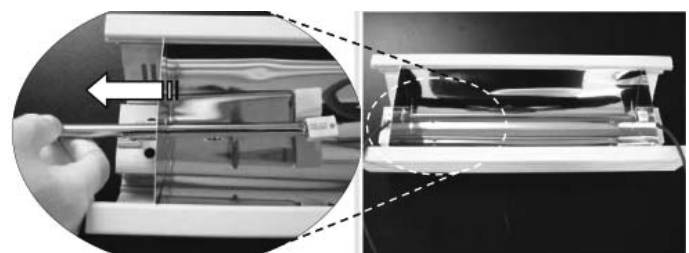
8 Turn heater face up. Each end of the lamp has a rectangular retainer block. Remove the stainless steel clips that secure the retainer blocks at each end of the lamp:



9 Pull the lamp wires up and out from the heater body at each end of the lamp:



10 Slide the lamp out through the reflector end plate. Properly and safely dispose of lamp:



11 The heat lamp is fragile - handle with care! Wear gloves. Do not touch lamp with bare fingers! Oils from your skin will damage the lamp.

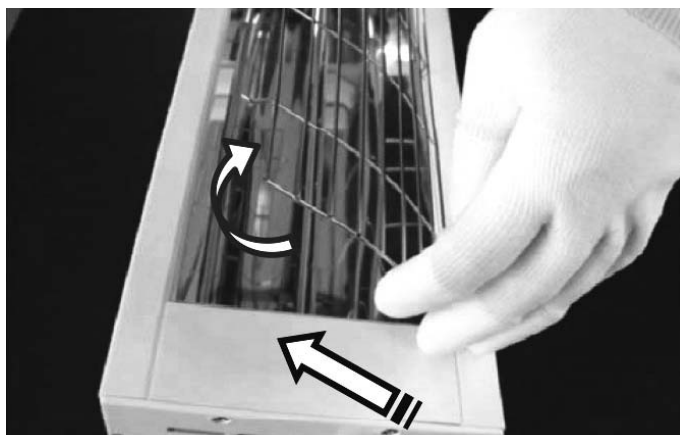
- » Install the new replacement lamp
- » Reassemble heater in reverse order of steps above.

### 9.7.2 Heat lamp replacement - CIR 150-1 0 and CIR 200-2 0

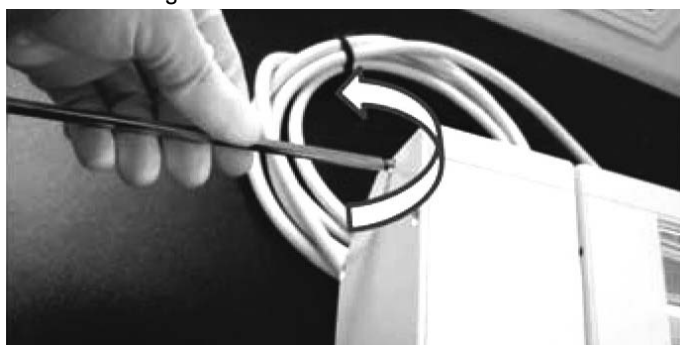
- 1 Compress the width of the protective grill to retract the wire tabs from under one edge of the heater body.
  - » Rotate the loose edge of the grill up and away from heater body.
  - » Pull the grill away from heater to remove from other edge of heater body - place safety grill in a secure storage container:

# INSTALLATION

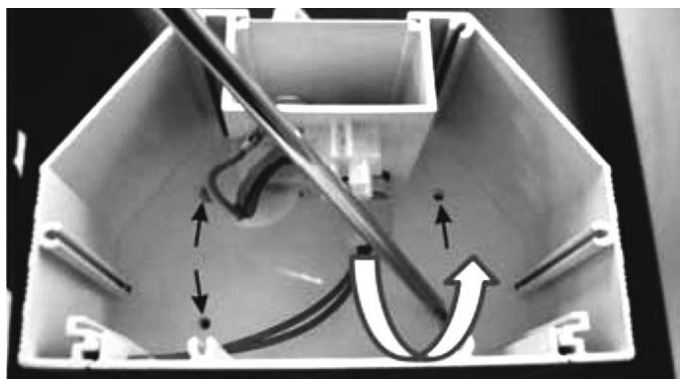
## INSTALLATION



2 Remove connection box end cover. Six (6) Phillips screws hold the end cover in place. Remove the screws and keep in a secure storage area:



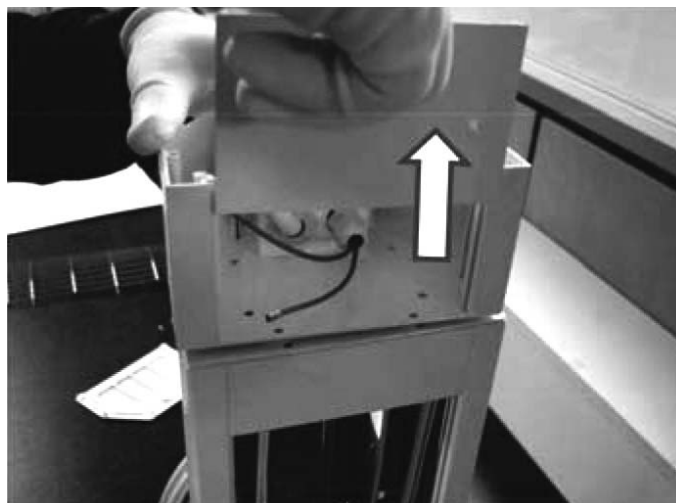
3 Remove connection box end cover. Six (6) Phillips screws hold the end cover in place. Remove the screws to secure storage:



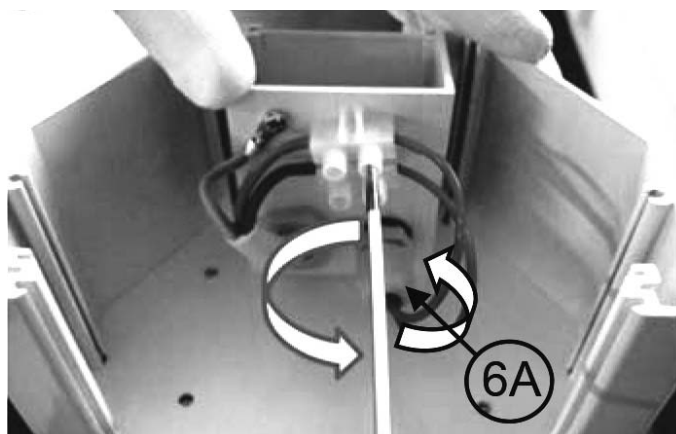
4 Remove 2 Phillips screws that fasten the connection box face plate in place:



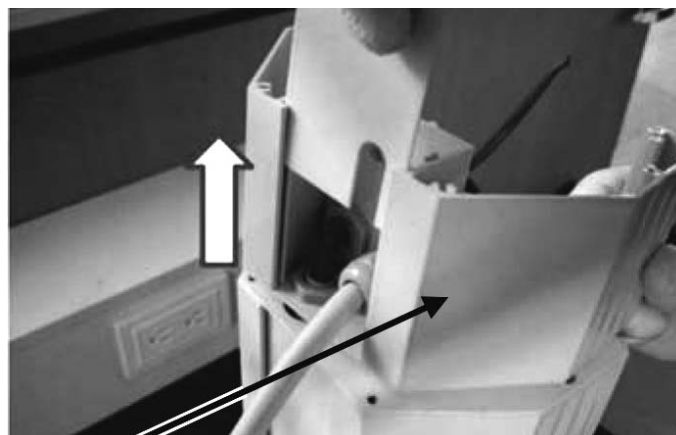
5 Disconnect electrical supply cord spade connectors from terminals:



6 Loosen 2 screws in terminal block that connect the red heat lamp wires in place. Remove ends of red wires from terminal block. Loosen plastic collar on Liquid Tight Connector that secures red wires to connection box:



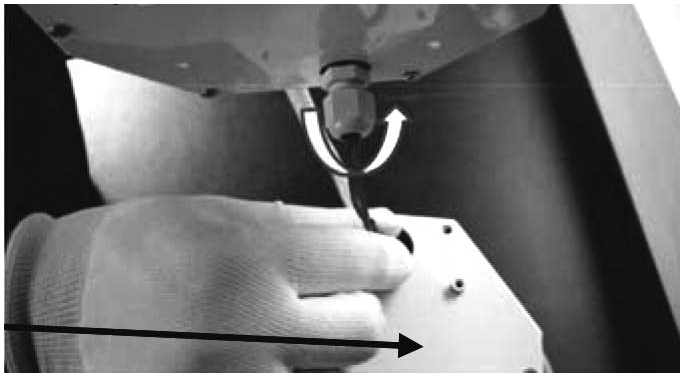
7 Slide power cord retainer plate from heater body (top surface of heater):



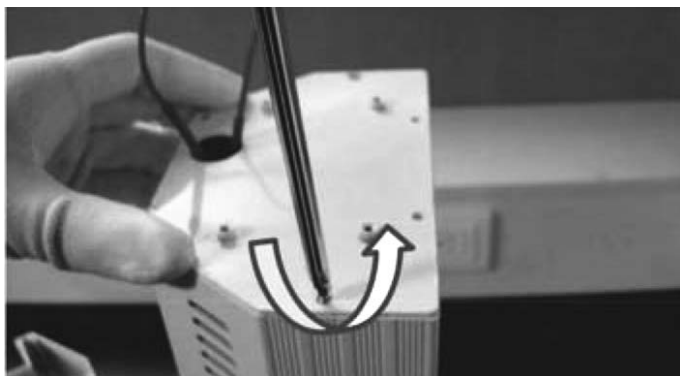
8 Loosen plastic collar on second Liquid Tight Connector that secures red wires through connection box end plate.  
 » Slide red wires out of connection box.  
 » Set connection box aside:

# INSTALLATION

## INSTALLATION



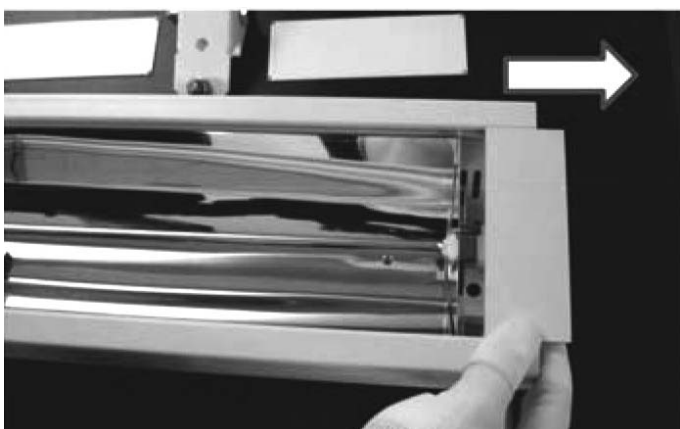
9 Remove end plate from heater: 6 Phillips screws fasten the heater body end plate in place:



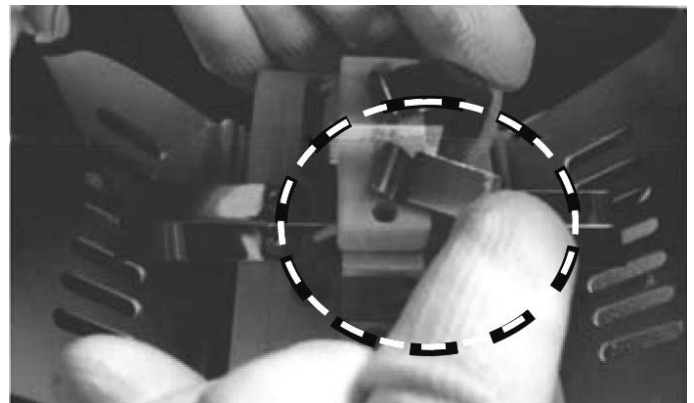
10 Slide cover plates and heater mounting bracket out from top side of heater. Remove remaining end plate from other end of heater:



11 Slide face plate out from each end of heater:



12 Remove the heat lamp retainer clip at each end of lamp:



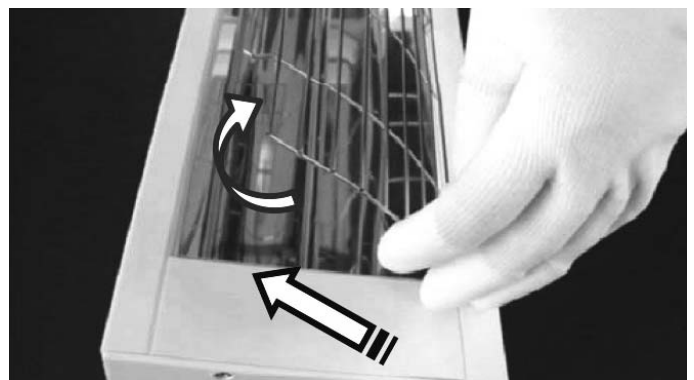
13 The heat lamp is fragile! Carefully slide old heat lamp out of heater through rectangular slot in end of reflector:



- » Carefully install new heat lamp and clip in place.
- » Reverse steps above to reassemble the heater.

### 9.7.3 Heat lamp replacement - CIR 400-2 0

- 1 Compress the width of the protective grill to retract the wire tabs from under one edge of the heater body.
  - » Rotate the loose edge of the grill up and away from heater body.
  - » Pull the grill away from heater to remove from other edge of heater body - place safety grill in a secure storage container.
  - » Repeat grill removal for other lamp if required:



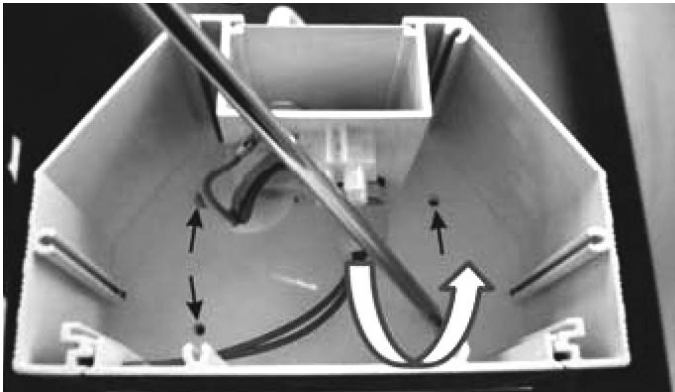
2 Remove end plate from heater: 6 Phillips screws fasten the heater body end plate in place:

# INSTALLATION

## INSTALLATION



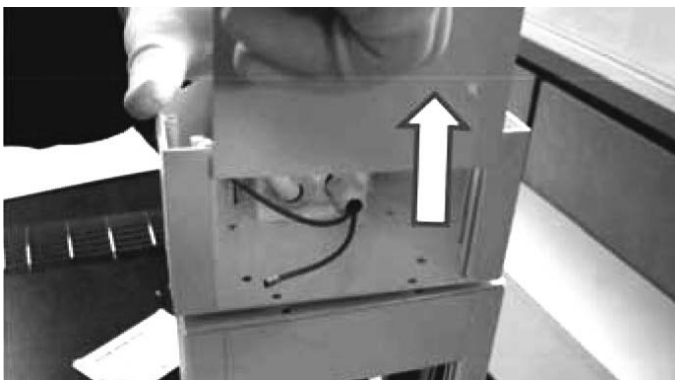
3 Remove 4 Phillips screws that hold connection box to heater:



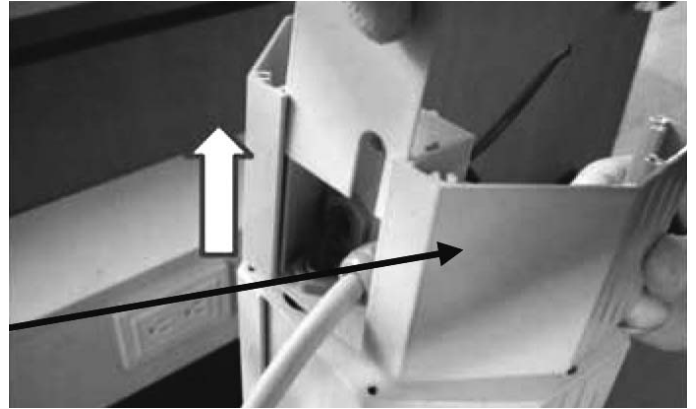
4 Remove the 2 Phillips screws that fasten the electrical connection box front face plate in place:



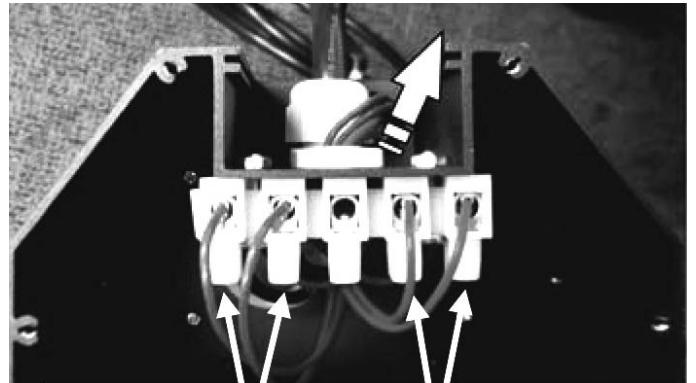
5 Slide the connection box front face plate out from the electrical connection box:



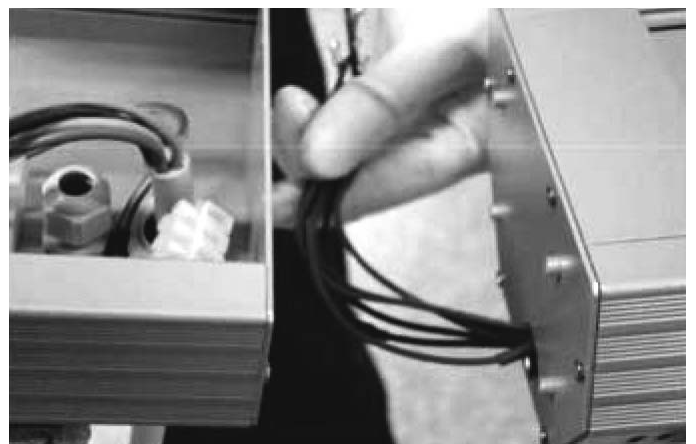
6 Slide power cord retainer plate from electrical connection box (top surface):



- 7 Loosen screws in terminal block to remove wires as required:
- » RED wires connect to Lamp #1 (closer to connection box)
  - » BLUE wires connect to Lamp #2 (further end from box)
  - » Do not disconnect power supply wires
  - » Loosen the threaded clamping collar on the Liquid Tight Connector located behind the wiring terminal
  - » Pull wires out through the Liquid Tight Connector and top of electrical connection box:



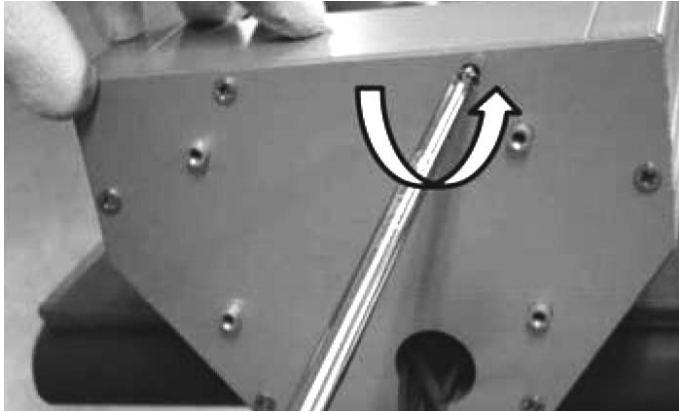
8 Slide lamp wires out of electrical connection box. Set electrical connection box aside:



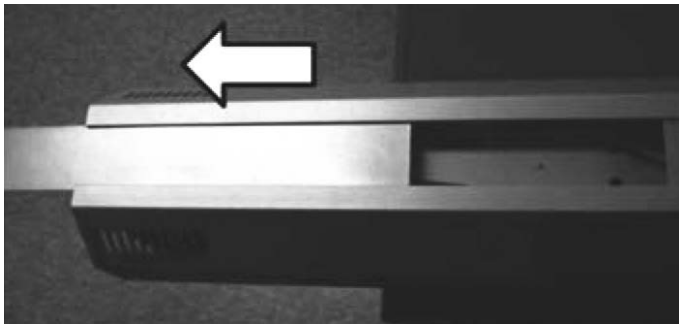
9 Remove interior end plate from heater: 6 Phillips screws fasten the heater body end plate in place:

# INSTALLATION

## INSTALLATION

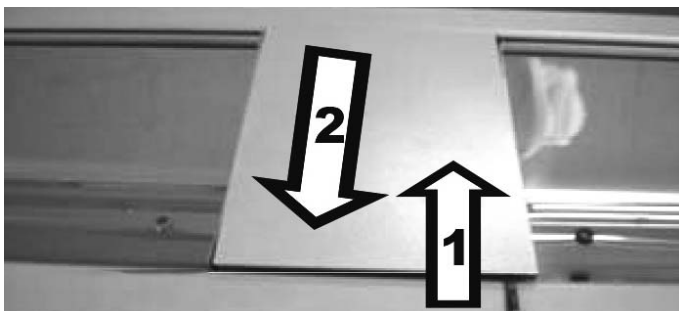


10 Slide top cover plates out each end of top side of heater:

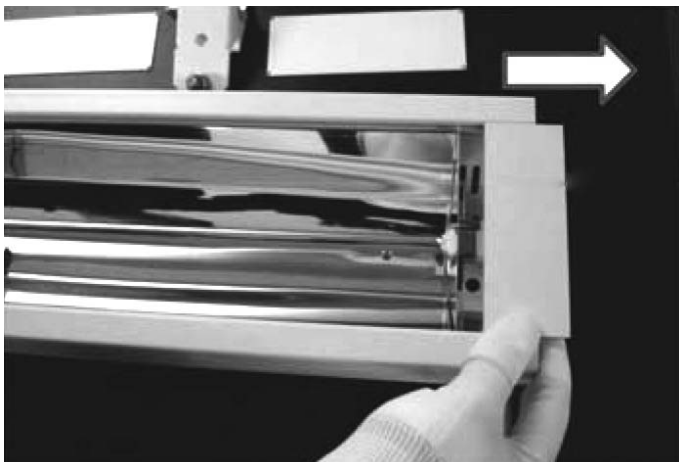


11 Remove the center face plate:

- » The BOTTOM edge of the center Face Plate does not have a lower lip
- » Insert a fine edged slot screw driver between the heater body and the BOTTOM edge of the face plate
- » Pry the face plate from the heater body, and remove to storage:

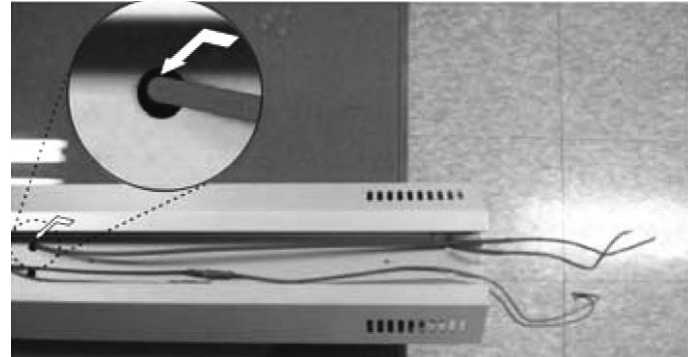


12 Slide the end face plates out from each end of the heater:



13 For this step, keep the heat lamp retainer clips in place at each end of lamps. Heat lamp is fragile - use caution when feeding wires through holes.

- » Carefully feed each lamp wire from the top of the heater through the hole in the heater body so that the wire is inside the heater body (same as the lamp):



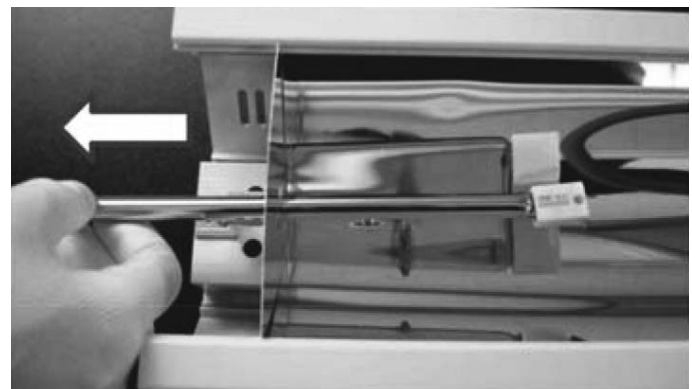
14 Remove the heat lamp retainer clips both ends of lamps.

- » One clip at each end of heater
- » Two clips in the center of heater:



15 The heat lamp is very fragile - handle and assemble with great care!

- » Carefully slide old heat lamp out of heater through rectangular slot in end of reflector.
- » Carefully install new heat lamp and clip in place.
- » Reverse steps above to reassemble the heater.
- » Take particular care not to damage the lamp at step 14 and step 13:





### 10. Appliance handover

Explain the functions of the appliance to the user. Draw special attention to the safety information. Hand the operating and installation instructions to the user.

### 11. What to do if ...

... the appliance does not heat up:

- » For 120 V models, ensure that the unit is plugged into a properly grounded 120 V wall outlet and that the timer switch is on.
- » For 240 V models, ensure that the timer switch is on and that there is adequate power available at the circuit breaker and that the breaker hasn't tripped. Check for faulty breaker(s).

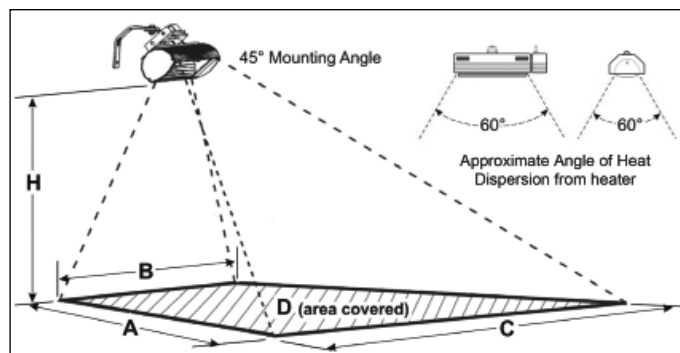
... you notice a smell:

- » For a short time after initial installation or after a long period of inactivity, the unit may produce a smell. This is normal and will not last long once regular operation resumes.

If you cannot remedy the fault, contact your contractor. To facilitate and speed up your enquiry, please provide the number on the type plate (Nr. XXXX-XXXX-XXXX)

### 12. Specification

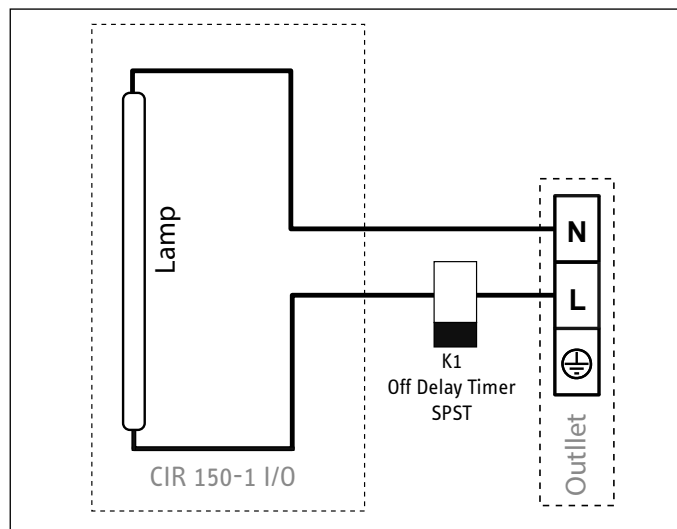
#### 12.1 Recommended mounting and coverage specifications



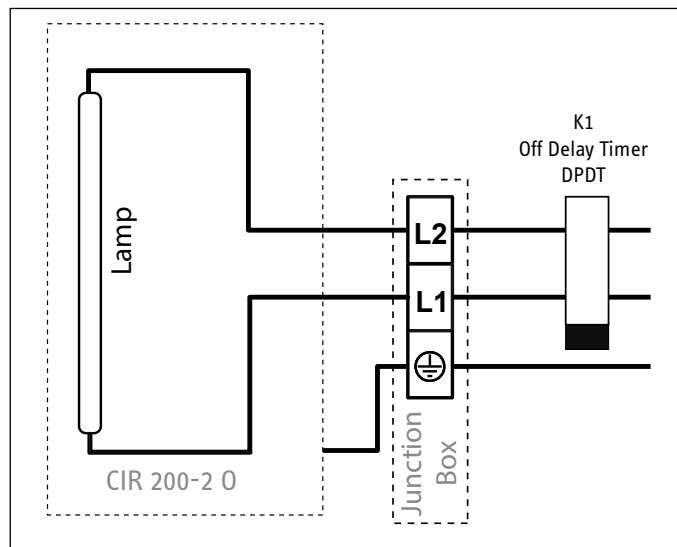
Model	Power	H	Dim. of area heated				
			A	B	C	D	E
CIR 150-1 I, 1500 W CIR 150-1 O	Min.: 7' (2.1 m) Max.: 8' (2.4 m)	8' 10" (2.7 m)	8' 6" (2.6 m)	16' 1" (4.9 m)	108 ft <sup>2</sup> (10.1 m <sup>2</sup> )	13.9 W/ft <sup>2</sup> (148.5 W/m <sup>2</sup> )	
		9' 10" (3.0 m)	9' 2" (2.8 m)	18' 1" (5.5 m)	133 ft <sup>2</sup> (12.4 m <sup>2</sup> )	11.3 W/ft <sup>2</sup> (121.0 W/m <sup>2</sup> )	
CIR 200-2 O 2000 W	Min.: 8' (2.4 m) Max.: 9' (2.7 m)	9' 10" (3.0 m)	9' 2" (2.8 m)	18' 1" (5.5 m)	133 ft <sup>2</sup> (12.4 m <sup>2</sup> )	15.0 W/ft <sup>2</sup> (161.3 W/m <sup>2</sup> )	
	11' 2" (3.4 m)	9' 10" (3.0 m)	20' (6.1 m)	165 ft <sup>2</sup> (15.3 m <sup>2</sup> )	12.1 W/ft <sup>2</sup> (130.7 W/m <sup>2</sup> )		
CIR 400-2 O 4000 W	Min.: 10' (3.0 m) Max.: 11' 6" (3.5 m)	11' 10" (3.6 m)	11' 2" (3.4 m)	23' (7.0 m)	205 ft <sup>2</sup> (19.0 m <sup>2</sup> )	19.5 W/ft <sup>2</sup> (210.5 W/m <sup>2</sup> )	
	13' 5" (4.1 m)	14' 1" (4.3 m)	27' 7" (8.4 m)	275 ft <sup>2</sup> (25.4 m <sup>2</sup> )	14.5 W/ft <sup>2</sup> (157.5 W/m <sup>2</sup> )		

### 12.2 Wiring diagrams

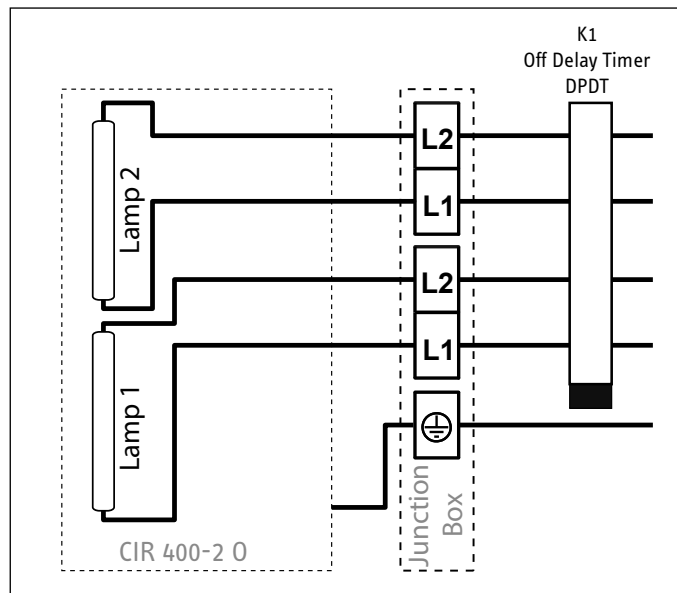
CIR 150-1 I, CIR 150-1 O



CIR 200-2 O



CIR 400-2 O



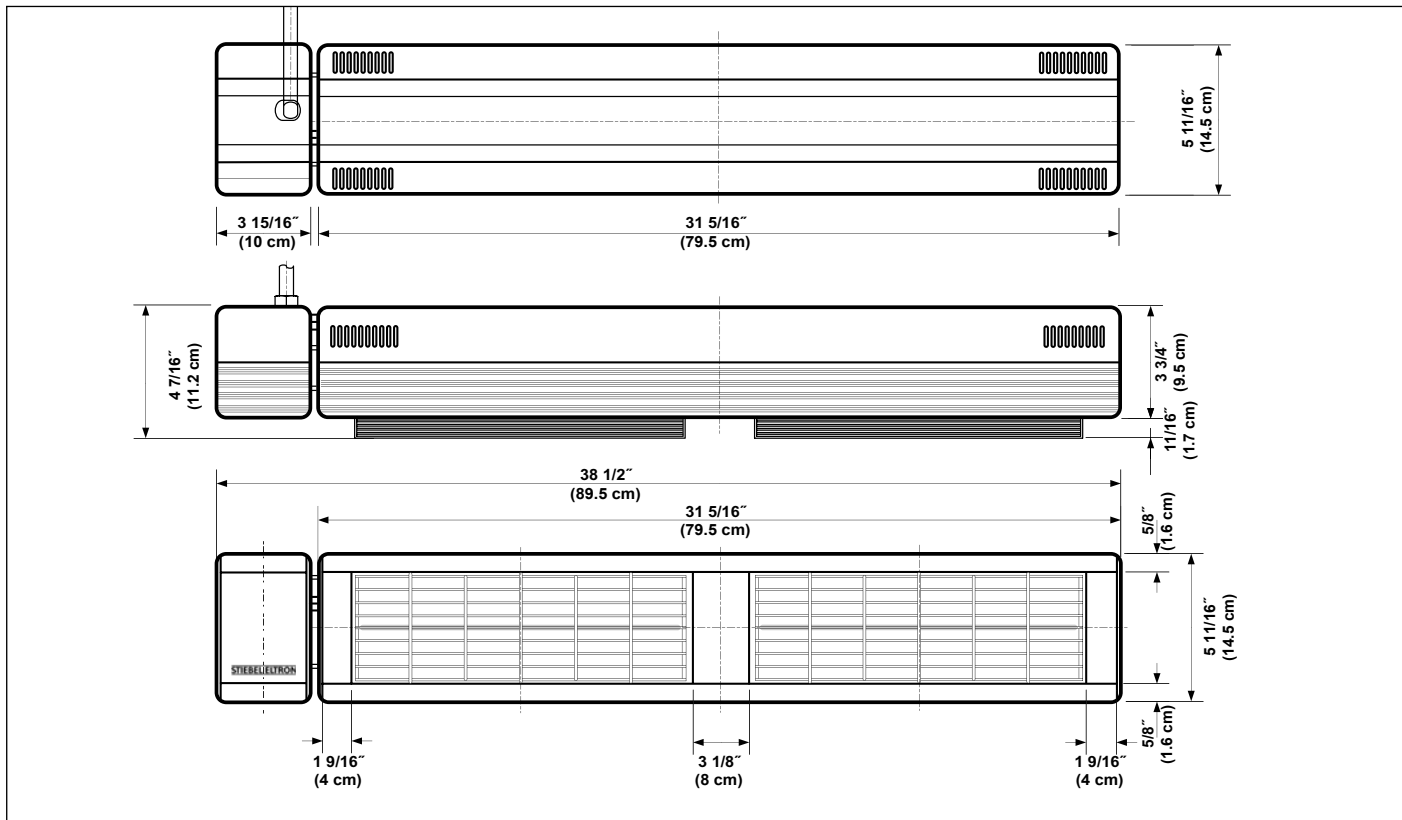




# INSTALLATION

## SPARE PARTS

### CIR 400-2 0



ENGLISH

### 12.4 Specification table

Model	CIR 150-1 I	CIR 150-1 0	CIR 200-2 0	CIR 400-2 0
Item No.	234047	234048	234049	234050
Usage	indoor only	indoor/outdoor	indoor/outdoor	indoor/outdoor
Testing standard	ANSI/UL 1278	ANSI/UL 2021	ANSI/UL 2021	ANSI/UL 2021
Voltage, 60Hz	115-120 V	115-120 V	230-240 V	230-240 V
Wattage	1.5 kW	1.5 kW	2.0 kW	4.0 kW
Amperage	12.5 A	12.5 A	8.3 A	2 x 8.3 A
Required number and size of circuit breakers	20 A	20 A	15 A	2 x 15 A
Required wire size (copper)	14 AWG			
Lamp temperature	2420 °F, ±360 °F 1325 °C, ±200 °C			
Lamp life (normal conditions)	5000 hours			
Lamp color temperature	1600 K, ±200 K			
Height	5 11/16" / 145 mm			
Width	15 9/16" / 395 mm	18 9/16" / 471 mm	18 9/16" / 471 mm	38 1/2" / 978 mm
Depth	4 7/16" / 112 mm	4 1/4" / 108 mm	4 1/4" / 108 mm	4 7/16" / 112 mm
Weight	4.85 lb / 2.2 kg	5.5 lb / 2.5 kg	5.5 lb / 2.5 kg	8.8 lb / 4.0 kg
IP-Rating	IP20	IP24	IP24	IP24
Color	alpine white			

### 13. Spare Parts

Model	CIR 150-1 I	CIR 150-1 0	CIR 200-2 0	CIR 400-2 0
Protective Grill	BHSG	BHSG	BHSG	BHSG
Heat Lamp	LGHS1520	LGHS1524	LGHS2024	(2) LGHS2024

### 14. Warranty

**Residential & Commercial Warranty:** Stiebel Eltron, Inc. warrants to the original consumer that the CIR Infrared Heater is free from defects in material and/or workmanship under normal use and service for a period of one (1) year (12 months) from the date of purchase, and subject to the conditions and limitations stated herein. Warning: Use of this heater in coastal salt-air regions can result in corrosion of the aluminum body and reflector, and premature failure of the heat lamp. Corrosion and failure resulting from use in coastal areas is not covered by warranty.

#### ONE YEAR (12 MONTH) WARRANTY

Subject to the conditions and limitations stated herein and defined below, during the term of this limited warranty, we will supply any component part of the heater, excluding any labor, which the Manufacturer's examination determines to be defective in workmanship or material for a period of one year (12 months) from the date of purchase. This warranty applies to the heater's original owner, and only if the unit is installed and operated in accordance with the printed instructions accompanying the unit and in compliance with all applicable installation, building codes and good trade practices. Failure to maintain the equipment through regular maintenance or service by a qualified service technician shall void the warranty.

#### WHAT IS NOT COVERED

The Manufacturer shall not be responsible for any expenses, including service, labor, diagnosis, analysis, material or transportation/shipping charges incurred during removal, repair, or reinstallation of this product, or any of its components or parts. All labor, shipping, and/or service charges shall be paid by the owner. This warranty does not cover products that have been modified after leaving the factory, improperly installed, misused, exposed to abuse or damaged by acts of God, negligence, accident, corrosive or contaminated atmosphere, submersion in water, excessive thermal shock, impact, abrasion, normal wear due to use, alteration or operation contrary to the owner's manual or if the serial number has been altered, defaced or removed. This warranty shall not apply if the voltage to the heater exceeds the rated voltage on the rating plate by more than 10%. The Manufacturer shall not be liable for consequential damages arising out of, or in connection with, the use or performance of the product, or other indirect damages with respect to loss of property, revenues, or profit, or costs of removal, installation or reinstallation, or for any default or delay in performance by its warranty caused by any contingency beyond its control, including war, government restrictions, or restraints, strikes, fire, flood, acts of God, or short or reduced supply of raw materials or products.

#### WARRANTY PROCEDURE

To establish the date of purchase for any purpose under this Limited Warranty, you must retain the original receipt that can establish the purchase date of your unit. If you do not provide such documents, the start date of the term of this Limited Warranty will be based upon the date of unit manufacture, plus thirty (30) days. Should the owner wish to return the CIR infrared heater for repair, the owner must first secure written authorization from Stiebel Eltron, Inc. The owner shall be required to show proof of purchase date, and to pay all transportation costs to return the defective part(s) or heater for repair or replacement. Warranty is void if heater has been installed or used improperly or if design has been altered in any way.

#### LIMITATIONS AND EXCLUSIONS

This document contains all warranties made by the Manufacturer and may not be varied, altered or extended by any person. There are no promises, or agreements extending from the Manufacture other than the statements contained herein. THIS WARRANTY IS IN LIEU OF ALL WARRANTIES EXPRESSED OR IMPLIED, TO THE EXTENT AUTHORIZED BY THE LAWS OF THE JURISDICTION, INCLUDING SPECIFICALLY THE WARRANTIES OR MERCHANTABILITY OF FITNESS FOR A PARTICULAR PURPOSE. All warranties are limited in duration to 12 months. It is understood and agreed that the Manufacturer's obligation hereunder is limited to repairing or replacing parts determined to be defective as stated above. In no event shall the Manufacturer be responsible for any alleged personal injuries or other special, incidental or consequential damages. As to property damages, contract, tort or other claim the Manufacturer's responsibility shall not exceed the purchase price paid for the product. All replacement parts will be warranted for the unused portion of the warranty coverage period remaining on the applicable unit. Some States and authorities do not allow certain warranty exclusions or limitations on how long a warranty lasts or the exclusions or limitations of incidental or consequential damages. In such cases, the above limitations or exclusions may not apply to you and are not intended to do so where prohibited by law. This warranty gives you specific legal rights. You may also have other rights which vary by each jurisdiction.



The installation, electrical connection and first operation of this appliance should be carried out by a qualified installer.



The company does not accept liability for failure of any goods supplied which have not been installed and operated in accordance with the manufacturer's instructions.

### Environment and recycling

Please help us to protect the environment by disposing of the packaging in accordance with the national regulations for waste processing.

This Warranty is valid for U.S.A. & Canada only. Warranties may vary by country. Please consult your local Stiebel Eltron Representative for the Warranty for your country.

## OPERATION

<b>1. Instrucciones importantes</b>	<b>19</b>
1.1 Información sobre este documento	20
1.2 Explicación de los símbolos	20
<b>2. Seguridad</b>	<b>20</b>
2.1 Distancias mínimas	20
2.2 Uso previsto	21
2.3 Información sobre seguridad	21
2.4 Certificación ETL / UL / CSA	21
<b>3. Registre su producto</b>	<b>22</b>
<b>4. Descripción del aparato</b>	<b>22</b>
<b>5. Funcionamiento</b>	<b>22</b>
5.1 Puesta en marcha	22
5.2 Desconexión del calefactor	22
<b>6. Limpieza, cuidado y mantenimiento</b>	<b>22</b>
6.1 Mantenimiento	22
6.2 Limpieza	22
<b>7. Seguridad</b>	<b>23</b>
7.1 Instrucciones generales de seguridad	23
7.2 Instrucciones, normas y reglamentos	23
<b>8. Descripción del aparato</b>	<b>23</b>
8.1 Entrega estándar	23
<b>INSTALACIÓN</b>	
<b>9. Instalación</b>	<b>23</b>
9.1 Consideraciones y directrices sobre el diseño del proyecto	23
9.2 Instrucciones generales de instalación	24
9.3 Ubicación del calefactor	24
9.4 Montaje del calefactor	25
9.5 Distancias mínimas	25
9.6 Suministro eléctrico	26
9.7 Sustitución de la lámpara de calor	27
<b>10. Entrega del aparato</b>	<b>33</b>
<b>11. Qué hacer si...</b>	<b>33</b>
<b>12. Especificaciones</b>	<b>33</b>
12.1 Especificaciones recomendadas de montaje y cobertura	33
12.2 Diagrama del cableado	33
12.3 Dimensiones	34
12.4 Tabla de especificaciones	35
<b>13. Piezas de repuesto</b>	<b>35</b>
<b>14. Garantía</b>	<b>36</b>

## OPERATION

### 1. INSTRUCCIONES IMPORTANTES GUARDE ESTAS INSTRUCCIONES

Al utilizar aparatos eléctricos, siempre deben tomarse unas precauciones básicas para reducir el riesgo de incendio, descarga eléctrica, daños materiales, lesiones y muerte. Estas son algunas de esas precauciones:

- 1 La instalación de este calefactor debe realizarla únicamente un electricista calificado. Lea y comprenda todas las instrucciones antes de instalar, utilizar o hacerle el mantenimiento a este calefactor. Si la instalación, manejo, ajuste, modificación, revisión o mantenimiento se realizan de forma incorrecta, puede existir un riesgo de incendio y descarga eléctrica. Así mismo, pueden producirse daños materiales, lesiones o incluso la muerte.
- 2 Este calefactor se calienta cuando está en funcionamiento. Para evitar quemaduras, no toque las superficies calientes con la piel desnuda. Mantenga los cables eléctricos y los materiales combustibles, como muebles, almohadas, ropa de cama, papeles, ropa, cortinas, etc., a una distancia mínima de 1 m (3 pies) respecto del frente, los laterales y la parte trasera del calefactor.
- 3 Es necesario extremar las precauciones cuando cualquier calefactor lo utilizan niños o personas inválidas, o cuando se usa cerca de ellos.
- 4 Nunca deje el calefactor desatendido mientras esté en funcionamiento. Desenchufe los modelos de 120 V o desconecte el (los) cortacircuitos de los modelos de 240 V cuando el aparato no esté en funcionamiento.
- 5 No ponga en marcha ningún calefactor si tiene el cable o el enchufe dañado, si ha mostrado un mal funcionamiento, si ha sufrido una caída o si ha resultado dañado en modo alguno. Regrese el calefactor a un servicio técnico autorizado para su revisión, ajuste eléctrico o mecánico, o reparación.
- 6 Estos calefactores no están destinados para su uso en cuartos de baño, cuartos de lavandería y ubicaciones de interior similares. Nunca coloque un calefactor en un lugar de donde pueda caer a una bañera o a otro recipiente con agua.
- 7 El modelo CIR 150-1 I está destinado exclusivamente para uso en interiores. No utilice este modelo en exteriores o en ambientes húmedos. Los modelos CIR 150-1 O, CIR 200-2 O y CIR 400-2 O pueden utilizarse en exteriores o en ambientes húmedos.
- 8 No pase el cable por debajo de alfombras. No tape el cable con alfombrillas, tapetes o similares. Coloque el cable fuera de las zonas de tránsito, donde no vaya a provocar tropiezos.
- 9 Recoja el cable en el lateral y en la parte posterior del calefactor; evite que el cable repose sobre el calefactor.
- 10 Para desconectar el calefactor, retire el enchufe de la toma de corriente (modelos de 120 V) o apague el interruptor de la fuente de alimentación (modelos de 240 V).
- 11 Los modelos de 120 V, CIR 150-1 I y CIR 150-1 O, deben enchufarse a una toma de corriente de 120 V correctamente conectada a tierra y controlada mediante un temporizador.
- 12 Los modelos de 240 V deben estar integrados de manera fija en un circuito correctamente conectado a tierra y controlado mediante un temporizador. Es necesario usar cable de cobre.

# FUNCIONAMIENTO

## SEGURIDAD

- 13 No introduzca ni deje entrar ningún objeto extraño en el calefactor ni en ninguna abertura de ventilación o escape, ya que ello puede dar lugar a una descarga eléctrica, incendio o daño en el calefactor. Así mismo, puede producir daños materiales, lesiones personales o incluso la muerte.
- 14 Para evitar un posible incendio, no bloquee las entradas de aire ni el escape en modo alguno. No utilice el calefactor sobre una superficie blanda, como una cama, ya que las aberturas podrían quedar bloqueadas.
- 15 Utilice este calefactor únicamente tal y como se describe en este manual. Cualquier otro uso no recomendado por el fabricante puede provocar un incendio, descarga eléctrica, daños materiales, lesiones personales o incluso la muerte.
- 16 Con los modelos de 120 V, evite usar un alargador ya que este puede sobrecalentarse y provocar un incendio. **IMPORTANTE:** Sin embargo, si es necesario usar un alargador, este debe ser de un calibre no inferior a 14 AWG y apto para un mínimo de 1875 vatios.
- 17 No toque el calefactor cuando esté en funcionamiento, ni tampoco las piezas con corriente, por el riesgo de quemaduras, descarga eléctrica, lesiones personales e incluso la muerte.
- 18 Todos los modelos de calefactores infrarrojos deben instalarse conectados a un temporizador. Consulte con un electricista o instalador local para obtener más detalles sobre la instalación.
- 19 No ajuste el calefactor sobre el soporte orientable mientras el aparato esté en funcionamiento. Deje que el calefactor se enfríe por completo antes de realizar ningún ajuste a la posición del calefactor.
- 20 No mire fijamente a la lámpara del calefactor, ya que podría sufrir lesiones en los ojos.
- 21 Después de su uso, deje enfriar por completo el calefactor antes de tocarlo, moverlo o guardarlo.
- 22 Guarde estas instrucciones junto con el calefactor para tenerlas siempre a mano como referencia. Conserve este manual en un lugar seguro cerca del calefactor.

### 1.1 Información sobre este documento

El capítulo **Funcionamiento** está dirigido a usuarios e instaladores calificados.

El capítulo **Instalación** está dirigido a instaladores calificados.



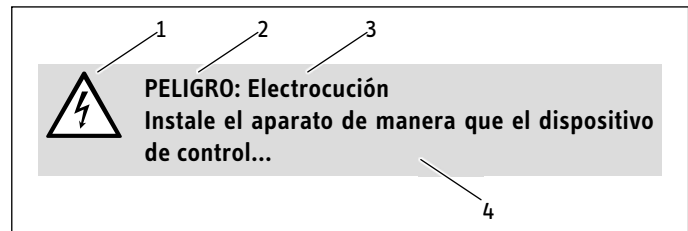
Lea estas instrucciones atentamente antes de utilizar el aparato y guárdelas como referencia para el futuro. Pase las instrucciones a cualquier nuevo usuario.

### 1.2 Explicación de los símbolos

#### 1.2.1 Formato de la información sobre seguridad

La información sobre seguridad comprende un símbolo de advertencia y un texto con información. La información sobre seguridad está impresa sobre un fondo de color gris.

Ejemplo:



- 1 Símbolo
- 2 Palabras claves
- 3 Descripción
- 4 Texto informativo

#### 1.2.2 Símbolos de texto y su disposición en esta documentación



Lea atentamente el texto situado junto al símbolo “»”.

» El símbolo “»” indica que usted debe hacer algo. La acción que usted debe realizar se describe paso a paso.

– Las secciones con el símbolo “–” muestran listas de ítems.

#### 1.2.3 Información sobre el aparato



Nunca tape el aparato

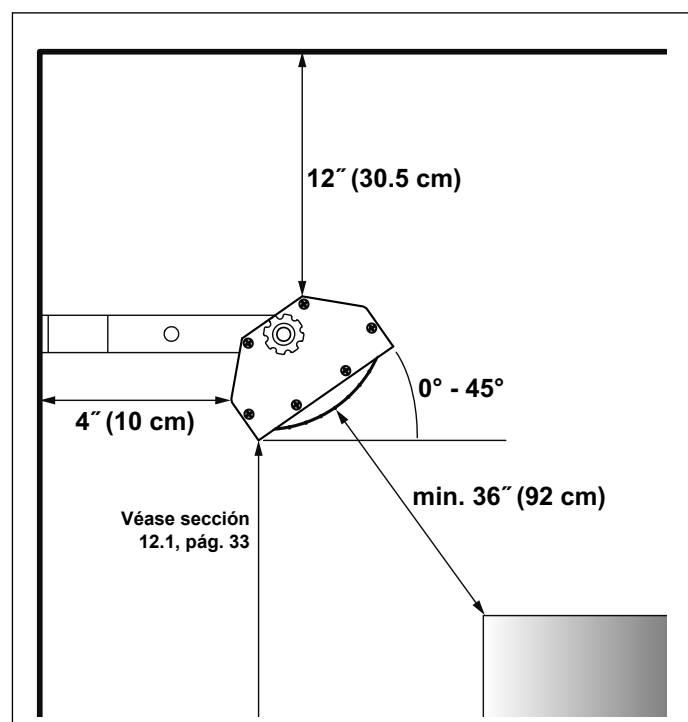
#### 1.2.4 Unidades de medida



En este documento, las dimensiones se indican en cm (pulg). Cualquier unidad de medida alternativa se especifica según corresponda.

## 2. Seguridad

### 2.1 Distancias mínimas

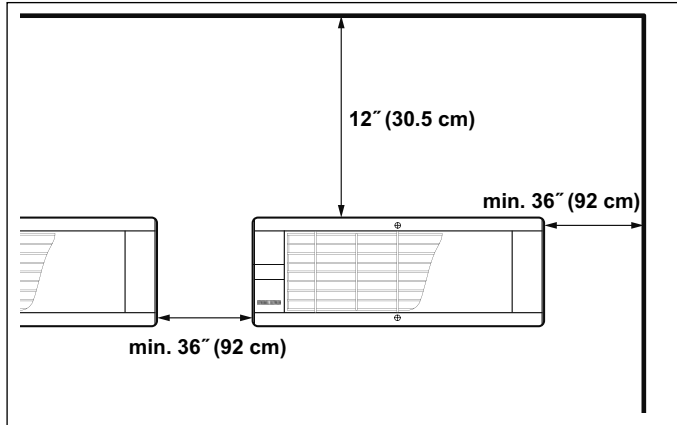


# FUNCIONAMIENTO

## SEGURIDAD

No coloque ningún objeto a una distancia inferior a 3 pies (92 cm) delante o debajo del calefactor.

Fije los soportes al elemento estructural (o con una solidez e integridad equivalentes) de una pared o superficie no combustible.



### 2.2 Uso previsto

Este aparato está diseñado para calentar zonas de vivienda. El modelo CIR 150-1 I está destinado exclusivamente para uso en interiores. Los modelos CIR 150-2 O, CIR 200-2 O y CIR 400-2 O están destinados para uso en interiores o exteriores.

Cualquier otro uso distinto del descrito se considerará inadecuado. El uso correcto de este aparato también implica seguir todas las instrucciones de este manual. Cualquier modificación o transformación del aparato anulará todos los derechos de garantía.

### 2.3 Información sobre seguridad

Ponga el aparato en marcha únicamente cuando esté completamente instalado por un electricista autorizado y con todo el equipamiento de seguridad conectado.



#### ADVERTENCIA: Incendio

Nunca utilice este aparato...

- en estancias donde exista un riesgo de incendio o explosión debido a la presencia de sustancias químicas, polvo, gases o vapores.
- en las proximidades de tuberías o recipientes que transporten o contengan materiales inflamables o explosivos.
- si en la estancia se llevan a cabo tareas como tendido de cables, pulido o sellado.
- si se utilizan aerosoles, abrillantadores para suelos o productos similares que contengan gasolina. Ventile la estancia suficientemente antes de usar el calefactor.
- si no se respetan las distancias mínimas de separación respecto de la superficie de los objetos adyacentes, como muebles, visillos, cortinas, textiles u otros materiales inflamables.



#### ADVERTENCIA: Lesiones

En los casos en que se permita a niños o a personas con capacidades físicas, sensoriales o mentales limitadas manejar este aparato, asegúrese de que esto suceda solo bajo supervisión o después de que una persona responsable de su seguridad les haya dado instrucciones adecuadas.

Los niños deben ser supervisados y deben recibir instrucciones apropiadas para garantizar que nunca jueguen con el aparato.



#### ADVERTENCIA: Incendio

Nunca sitúe ningún objeto ni material inflamable, combustible o aislante, como ropa, cobijas, revistas, recipientes con abrillantador para suelos o productos derivados del petróleo, aerosoles o similares sobre el aparato ni en las proximidades del mismo.



#### ADVERTENCIA: Incendio

Nunca deje el calefactor desatendido mientras esté en funcionamiento. El calefactor debe ser instalado conectado a un temporizador. Desenchufe los modelos de 120 V o desconecte el (los) cortacircuitos de los modelos de 240 V cuando el aparato no esté en funcionamiento.



#### ADVERTENCIA: Electrocutación

Desconecte siempre el calefactor de la fuente de alimentación antes de realizar las tareas de mantenimiento. En caso contrario, puede sufrir lesiones graves o incluso la muerte.

No utilice ni coloque el aparato en un lugar de donde podría caer a una bañera o a otro recipiente con agua.



#### ADVERTENCIA: Quemaduras

Las superficies de la cubierta del aparato se calientan durante el funcionamiento. No toque el aparato mientras esté en funcionamiento. Deje que se enfríe por completo después de usarlo y antes de tocarlo.



#### PRECAUCIÓN: Sobrecalentamiento

Nunca tape el aparato.

### 2.4 Certificación ETL / UL / CSA

La certificación ETL / UL significa que el aparato cumple todos los requisitos básicos de acuerdo con ANSI/UL 1278 o 2021 y CAN/CSA C22.2 No 46.

#### 2.4.1 Etiqueta de características

Consulte la placa de características. La placa de características está ubicada en la parte superior del aparato, en el centro de la parte exterior.

### 3. Registre su producto



Debe registrar este producto en un plazo de 90 días desde la compra a través de nuestra página web para activar cualquier garantía estándar o para optar a la ampliación de la garantía. Visite nuestra página web [www.stiebel-eltron-usa.com](http://www.stiebel-eltron-usa.com) y haga clic en “Registre su producto”.

Antes de comenzar el proceso de registro, le sugerimos que recopile la siguiente información que necesitará:

**Tipo; ejemplo:** CIR 150-1 I (tomado de la etiqueta situada en la parte superior de la unidad, en el centro)

**Número que se indica después de “Nr.”**

**Lugar de compra**

**Fecha de compra**

**Nombre y apellido**

**Dirección de email**

**Dirección postal**

**Número de teléfono**

Si tiene alguna pregunta en relación con el proceso de registro o con las opciones de garantía, por favor, póngase en contacto directamente con Stiebel Eltron USA en el número de teléfono (800)-582-8423.

### 4. Descripción del aparato

Este aparato es un calefactor radiante que utiliza luz infrarroja de onda corta. Está diseñado para calentar objetos, no el aire de un espacio. Está diseñado para ser instalado sobre una pared o poste.

Todos los modelos son adecuados como sistema de calefacción puntual en zonas de vivienda en interiores, como garajes o talleres, o para ganado. Nota: El modelo CIR 150-1 I está destinado exclusivamente para uso en interiores. Los modelos CIR 150-1 O, CIR 200-2 O y CIR 400-2 también son apropiados como sistema de calefacción puntual en zonas de vivienda en exteriores, como patios, balcones y terrazas.

La cubierta del calefactor radiante está fabricada en aluminio. La rejilla de protección y los tornillos son de acero inoxidable.

### 5. Funcionamiento



**ADVERTENCIA: Incendio**

Nunca deje el calefactor desatendido mientras está en funcionamiento. El calefactor debe ser instalado conectado a un temporizador. Desenchufe los modelos de 120 V o desconecte el (los) cortacircuitos de los modelos de 240 V cuando el aparato no esté en funcionamiento.

#### 5.1 Puesta en marcha

- » Para los modelos de 120 V, enchufe la unidad a una toma de corriente conectada a tierra y a un temporizador. Ajuste en el temporizador el tiempo de funcionamiento deseado.
- » Para los modelos de 240 V, encienda el (los) cortacircuitos al (a los) que esté conectada la unidad. Ajuste en el temporizador el tiempo de funcionamiento deseado.

#### 5.2 Desconexión del calefactor

- » Para los modelos de 120 V, desconecte la unidad mediante el temporizador y desenchufe el cable de la unidad de la toma de corriente.
- » Para los modelos de 240 V, desconecte la unidad mediante el temporizador y apague el suministro eléctrico mediante el interruptor del panel del cortacircuitos.

### 6. Limpieza, cuidado y mantenimiento



**ADVERTENCIA:**

Antes de limpiar la unidad, asegúrese de que el suministro eléctrico haya sido desconectado en el panel del cortacircuitos o de que el aparato esté desenchufado de la toma de corriente. Así mismo, compruebe que el componente calefactor del aparato esté frío. Asegúrese de que el suministro eléctrico permanece desconectado durante toda la instalación. En caso contrario, podría sufrir quemaduras graves, electrocución, lesiones graves o incluso la muerte.

#### 6.1 Mantenimiento

- » Revise el calefactor y el cable antes de cada uso.
- » Limpie cualquier acumulación de polvo o suciedad de las superficies y, en especial, del reflector y de las aberturas para el paso del aire del cuerpo del calefactor (consulte la sección 6.2, pág. 22).
- » Revise que el cable y el enchufe no estén dañados ni pelados:
  - No ponga en marcha el calefactor si el cable o el enchufe están dañados.
  - Pida a un electricista calificado que sustituya las piezas dañadas.
- » Es necesario reparar o sustituir cualquier pieza o componente dañado antes de poner en marcha el aparato.

#### 6.2 Limpieza



**PRECAUCIÓN: Incendio**

Nunca pulverice spray de limpieza en el reflector ni en las aberturas. Asegúrese de que no puede entrar humedad en el aparato.

- Antes de limpiar el calefactor, desconéctelo del suministro eléctrico y déjelo enfriar.
- No toque la lámpara de calor con los dedos, ya que la grasa de la piel dañará la lámpara.
- Para limpiar la superficie del calefactor, el reflector y las aberturas para el paso del aire: Utilice únicamente un paño seco o húmedo o bien un chorro de aire de baja presión (un limpiador de polvo en lata para computadoras).
- No utilice agentes de limpieza abrasivos o cáusticos.
- Nunca sumerja el aparato en agua. ¡Peligro mortal!
- Si un calefactor es expuesto a agua más allá del uso previsto en los modelos de exteriores, pida a un electricista calificado que revise y repare el calefactor antes de usarlo.

– Como parte de un mantenimiento regular, también recomendamos pedir que se comprueben los componentes de control. Los componentes de control y seguridad deben ser revisados por un contratista en un plazo no superior a 10 años desde la puesta en servicio del aparato.

## 7. Seguridad

Solo contratistas calificados deben llevar a cabo la instalación, puesta en servicio, mantenimiento y reparación del aparato.

### 7.1 Instrucciones generales de seguridad

Garantizamos un funcionamiento fiable y exento de problemas únicamente si se utilizan accesorios originales y piezas de repuesto previstas para este aparato.



#### **PELIGRO: Electrocutación**

Si instala el aparato en la pared, hágalo de manera que una persona que esté en la bañera o en la ducha no alcance a tocar el equipo de control.



#### **PRECAUCIÓN:**

- Respete las distancias mínimas de separación respecto de la superficie de los objetos adyacentes (consulte las distancias mínimas de separación en la sección 9.5, pág. 25).
- Nunca instale el aparato directamente bajo un enchufe de pared.
- Asegúrese de que el cable de alimentación no entre en contacto con ningún componente del aparato.

### 7.2 Instrucciones, normas y reglamentos



**NOTA:** Cumpla todos los reglamentos e instrucciones nacionales y regionales que sean aplicables.

## 8. Descripción del aparato

### 8.1 Entrega estándar

- Unidad del calefactor
- Soporte de montaje para pared, que incluye tornillos de fijación, arandelas de retención y tuercas

# INSTALACIÓN

## 9. Instalación

### 9.1 Consideraciones y directrices sobre el diseño del proyecto



**NOTA:** Todos los calefactores infrarrojos CIR deben instalarse conectados a un temporizador.



**NOTA:** Consulte en la sección 9.5 las distancias mínimas de separación necesarias.

El tamaño y el número de calefactores (cantidad de aporte de calor) necesarios en un área para proporcionar confort depende de los siguientes factores:

#### 9.1.1 Generales:

- Cantidad de movimiento de aire en esa área: la sensación térmica producida por el viento frío requiere un aporte adicional de calor
- Coloque cortavientos en todos los lugares donde sea posible
- El confort que se logra mediante la calefacción puntual es más eficaz si las personas reciben el calor desde al menos dos lados
- Altura de montaje disponible para los calefactores en el lugar del proyecto

#### 9.1.2 Aplicaciones en interiores:

- Calefacción del espacio de toda la estructura (Se requiere un cálculo preciso de la pérdida de calor. Para solicitar ayuda con esto, póngase en contacto con Stiebel Eltron en el número de teléfono 800-582-8423 o en la dirección de e-mail info@stiebel-eltron-usa.com), o bien
- Calefacción puntual de solo una parte de una zona fría en interiores
- El nivel de actividad de las personas: sentadas en reposo, actividad física intensa, etc.

#### 9.1.3 Aplicaciones en exteriores:



**NOTA:** El modelo CIR 150-1 I está destinado exclusivamente para uso en interiores.

- Cualquier área calefactada en exteriores se considera calefacción puntual.
- Los modelos CIR 150-1 O, CIR 200-2 O y CIR 400-2 O están destinados para uso en interiores o exteriores.
  - » Aumento de temperatura deseado:
- ¿En qué estaciones se necesita confort y cuál es la temperatura exterior de cálculo?
- Entonces, ¿cuál es el aumento deseado para obtener la temperatura de confort? (10°, 15°, 20°, 25°?)
  - » Calcule el aporte necesario para obtener el aumento de temperatura deseado:

# INSTALACIÓN

## Aporte necesario por área por grados de aumento para obtener la temperatura de confort

	Densidad calorífica por grado F W/(ft <sup>2</sup> )/°F	Densidad calorífica por grado C W/(m <sup>2</sup> )/°C
Calefacción en exteriores (con viento de hasta 10 mph)	2	40
Calefacción puntual en interiores (área protegida, poco movimiento de aire)	0.75	14

» Fórmula del aporte = longitud del lugar x anchura del lugar x aumento de temperatura x densidad calorífica por grado

Ejemplo:

- Patio exterior: 30 pies de longitud por 10 pies de anchura
- Aumento de temperatura deseado: 20°F (promedio del área)
- 30 x 10 x 20 x 2 = 12,000 vatios de aporte total necesario

Compare los valores de la altura de montaje disponible y las dimensiones del área en el lugar del proyecto con las alturas de montaje recomendadas, la longitud y la anchura del área de cobertura y la distribución promedio típica del calor en la sección 9.1, pág. 23.

Disposición:

- Espacie los calefactores de manera uniforme alrededor del perímetro (y, en caso necesario, en el centro o por toda el área) para proporcionar una densidad calorífica suficiente para conseguir el aumento de temperatura deseado, o bien aplique calefacción puntual únicamente en lugares específicos del área.
- Aporte calor desde al menos dos lados siempre que sea posible.



**NOTA:** La información de diseño que se presenta en este documento pretende servir de guía. La precisión en la determinación o el cálculo de todos los factores arriba indicados afectarán al rendimiento y a la satisfacción. En concreto, el movimiento del aire afectará al confort.

## 9.2 Instrucciones generales de instalación



**NOTA:** Lea todas las instrucciones y planifique la instalación antes de proceder.

Este aparato cumple las normas ANSI/UL 1278 o 2021 y está certificado según CAN/CSA C22.2 N° 46.

El modelo CIR 150-1 I está aprobado exclusivamente para uso en interiores. No utilice este calefactor en ambientes como cuartos de baño y cuartos de lavandería. El calefactor se suministra con un cable de (2.4 m) 8 pies con un enchufe de tres clavijas que debe ser conectado a una toma de corriente de 115-120 V correctamente conectada a tierra en un circuito de suministro eléctrico de alambre de cobre controlado por un temporizador.

Los modelos CIR 150-2 O, CIR 200-2 O y CIR 400-2 O están aprobados para uso en interiores y exteriores. No utilice estos calefactores en ambientes como cuartos de baño y cuartos de lavandería. Estos modelos deben ser conectados a un circuito de suministro eléctrico de alambre de cobre de 240 V correctamente conectado a tierra y controlado por un temporizador. La instalación debe cumplir los requisitos descritos en la última edición del Código

Eléctrico ANSI/NFPA N° 70 en Estados Unidos y en la PARTE 1 de CSA C22.1 en Canadá.

Junto con el calefactor, se suministra un soporte de montaje adecuado para instalar el aparato en una pared o en un poste. El calefactor debe estar colocado en este soporte durante el funcionamiento. Los herrajes para fijar el soporte de montaje a la estructura vienen determinados por las condiciones del lugar donde se ubique el aparato, y el instalador los suministra sobre el terreno.



### ADVERTENCIA: Incendio

Cuando instale los modelos CIR 150-1 I o CIR 150-1 O, evite usar un alargador ya que este puede sobrecalentarse y provocar un incendio. Sin embargo, si es necesario usar un alargador, este debe ser de un calibre no inferior a 14 AWG y apto para un mínimo de 1875 vatios.



### ADVERTENCIA: Incendio

Respete siempre las distancias mínimas de separación respecto del suelo, el techo, las paredes y los materiales combustibles. Consulte la sección 9.5, pág. 25.

## 9.3 Ubicación del calefactor



### ADVERTENCIA:

El uso de este calefactor en regiones costeras con aire salino puede producir corrosión en el cuerpo de aluminio y en el reflector, así como el fallo prematuro de la lámpara de calor. La corrosión y el fallo derivados del uso del calefactor en zonas costeras no quedan cubiertos por la garantía.

- 1 El calefactor está diseñado para ser montado en una pared o en un poste, y debe ser instalado a una altura mínima sobre el suelo. Consulte más detalles en la sección 12.1, pág. 33.
- 2 Asegúrese de que las distancias de separación alrededor del calefactor cumplen o superan las distancias mínimas de separación exigidas en la sección 9.5 pág. 30: por arriba, respecto del suelo, respecto de una pared lateral y respecto de materiales combustibles.
- 3 Los modelos CIR 150-1 I y CIR 150-1 O deben ser enchufados a una toma de corriente de 120 V correctamente conectada a tierra y controlada por un temporizador. Asegúrese de que la toma de corriente sea fácilmente accesible para poder desconectar el calefactor siempre que sea necesario. Los modelos CIR 200-2 deben ser conectados a un circuito de alambre de cobre de 240 V correctamente conectado a tierra y controlado por un temporizador. El modelo CIR 400-2 O debe ser conectado a dos (2) circuitos independientes de alambre de cobre de 240 V correctamente conectados a tierra y controlados por un temporizador.
- 4 Nunca debe situarse ni montarse el calefactor directamente bajo una toma de corriente de pared.
- 5 Se debe mantener una distancia mínima de (92 cm) 3 pies entre la rejilla frontal y cualquier objeto inflamable (por ejemplo, cortinas), paredes y otras estructuras.
- 6 No deje que ningún cable eléctrico pase por delante del calefactor ni que toque ninguna superficie caliente.

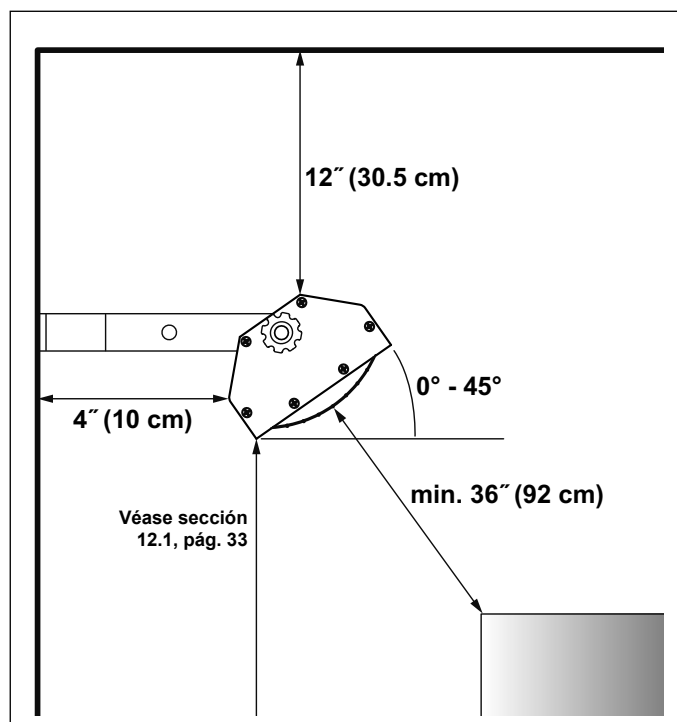


- 7 Dado que el aparato irradia calor, ningún obstáculo ni objeto, como un mueble, debe interponerse entre el calefactor y la persona que debe recibir el calor.
- 8 No utilice el calefactor sobre una superficie blanda, como una cama, ya que las aberturas para el paso del aire podrían quedar bloqueadas.
- 9 Un calefactor tiene superficies calientes y piezas internas que potencialmente pueden producir arcos y chispas. No utilice el aparato en lugares donde se usen o almacenen gasolina, pintura o vapores o líquidos inflamables.

### 9.4 Montaje del calefactor

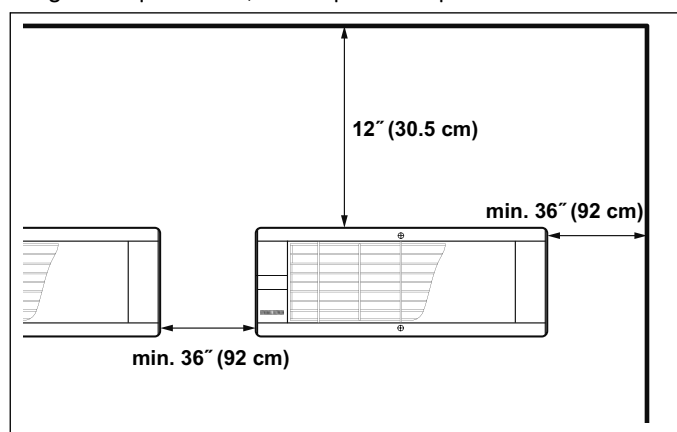
- 1 Monte el calefactor de forma segura sobre una superficie o elemento estructural, respetando todas las distancias mínimas de separación (sección 9.5, pág. 25).
- 2 Use el soporte de montaje suministrado junto con el calefactor (consulte los dibujos de la página siguiente).
- 3 Los herrajes para fijar el soporte de montaje a la estructura los suministra el instalador sobre el terreno, ya que el tipo de herrajes viene determinado por las condiciones del lugar donde se ubique el aparato.
- 4 Modelos CIR 150-1 I y CIR 150-1 O: Dentro de lo posible, ubique el soporte de montaje de manera que el cable eléctrico (2.4 m [8 pies]) pueda ser enchufado a una toma de corriente (de 120 V y con conexión a tierra) sin quedar tenso. Por favor, consulte un importante aviso sobre el uso de alargadores en la sección 9.2, pág. 24.
- 5 Nunca deje que un cable eléctrico pase por delante del calefactor ni que entre en contacto con ninguna superficie caliente del aparato.
- 6 El soporte de montaje se fija a la estructura mediante pernos o tirafondos suministrados sobre el terreno y que encajan en dos orificios de un lado del soporte. El soporte del calefactor se fija al soporte de montaje a través del orificio exterior de la otra pata del soporte de montaje mediante el perno, la arandela de retención y la tuerca suministrados.
- 7 Fije el soporte de montaje nivelado y a plomo de manera que el calefactor quede orientado de forma horizontal sobre el eje longitudinal.
- 8 Asegúrese de que el soporte de montaje quede firmemente sujeto a la estructura mediante pernos o tirafondos (suministrados sobre el terreno) de suficiente resistencia e integridad para soportar el peso del calefactor y evitar su movimiento. Se recomienda fijar el soporte de montaje a un elemento estructural (pared de entramado, etc.).

### 9.5 Distancias mínimas

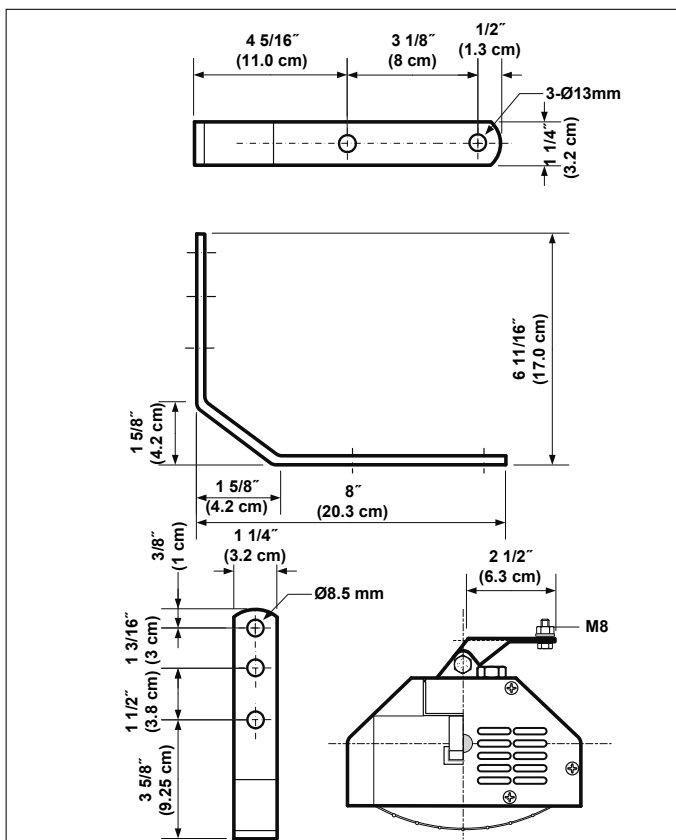


No coloque ningún objeto a una distancia inferior a 92 cm (3 pies) delante o debajo del calefactor.

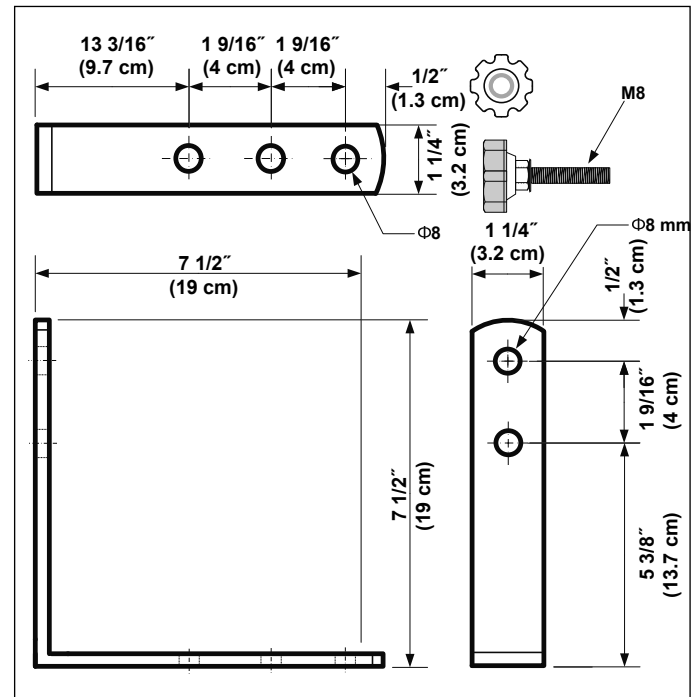
Fije los soportes al elemento estructural (o con una solidez e integridad equivalentes) de una pared o superficie no combustible.



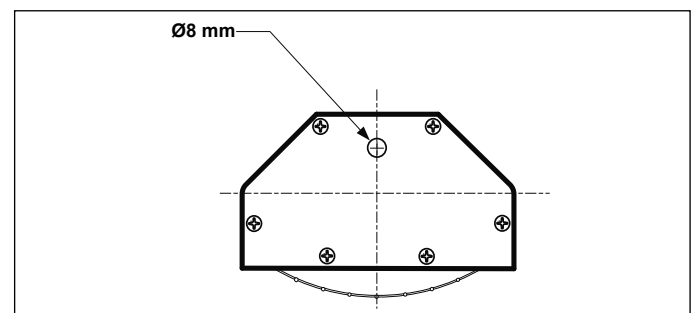
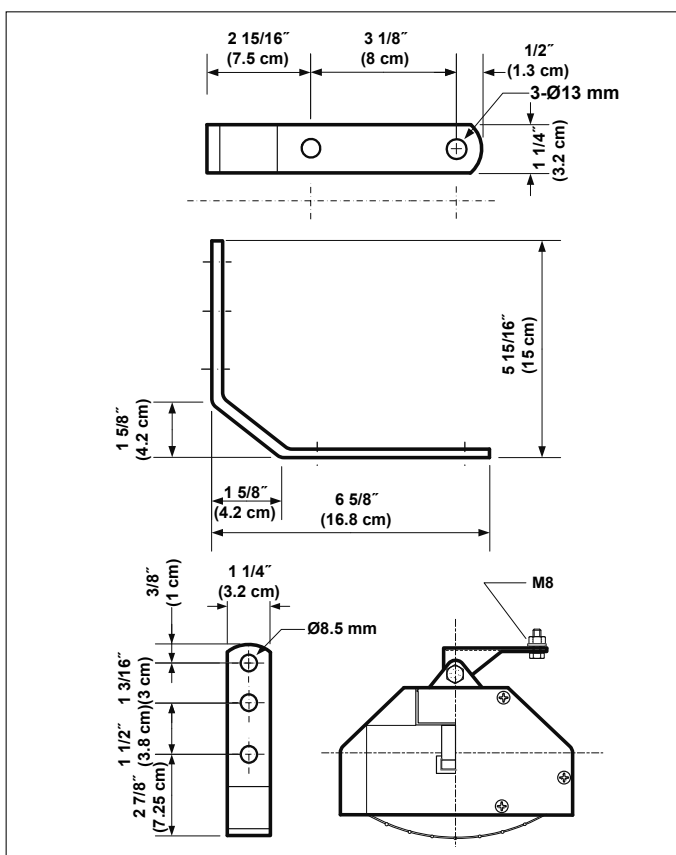
### Soporte de montaje para los modelos CIR 150-1 I y CIR 150-1 O



### Soporte de montaje para el modelo CIR 400-2 O



### Soporte de montaje para el modelo CIR 200-2 O



- 1 Fije el soporte del calefactor al soporte de montaje (a través del orificio exterior) mediante el perno, la arandela de retención y la tuerca suministrados. Apriete firmemente.
- 2 El soporte fijado a la parte superior del calefactor permite una rotación de hasta 45° sobre el eje transversal al aflojar el perno de fijación.
- 3 Una vez fijada la posición del calefactor, apriete todas las tuercas y pernos en las conexiones de los soportes de montaje y del calefactor para mantener el aparato en una posición firme y estable.
- 4 Lea y respete todas las advertencias, así como la siguiente sección sobre el funcionamiento, para disfrutar de un funcionamiento seguro del calefactor.

### 9.6 Suministro eléctrico



#### PELIGRO: Electrocutación

Lleve a cabo todas las conexiones eléctricas y todos los trabajos de instalación de acuerdo con todos los códigos de construcción: nacional, estatal y local.



#### PELIGRO: Electrocutación

Los calefactores de 240V deben conectarse directamente a un circuito con un temporizador, un cortacircuitos de tamaño adecuado y un calibre de cable correcto.

# INSTALACIÓN

## INSTALACIÓN



**PELIGRO: Electrocción**  
No enchufe los modelos CIR 200-2 O o CIR 400-2 O a una toma de corriente de pared.



**NOTA: El voltaje especificado en la placa de características debe coincidir con el voltaje indicado en el panel del cortacircuitos.**

La conexión eléctrica debe realizarla un electricista profesional calificado. La instalación debe cumplir los requisitos descritos en la última edición del Código Eléctrico ANSI/NFPA N0 70 en Estados Unidos y en la PARTE 1 de CSA C22.1 en Canadá.

### 9.6.1 CIR 150-1 I y CIR 150-1 O

Enchufe el calefactor a una toma de corriente de pared correctamente conectada a tierra y conectada también a un circuito de alambre de cobre de 120 V, 60Hz y 20 Amp. El circuito debe estar correctamente conectado a tierra y controlado por un temporizador.

### 9.6.2 CIR 200-2 O

Usando alambre de cobre de 12 AWG, conecte el calefactor a un cortacircuitos de 240 V, 60Hz y 15 Amp que esté correctamente conectado a tierra y controlado por un temporizador.

### 9.6.3 CIR 400-2 O

Usando alambre de cobre de 12 AWG, conecte el calefactor con un temporizador a cada uno de dos cortacircuitos independientes de 240 V, 60Hz y 15 Amp que estén correctamente conectados a tierra.

## 9.7 Sustitución de la lámpara de calor



**ADVERTENCIA:**  
Las tareas de mantenimiento del calefactor solo debe realizarlas un electricista calificado. En caso contrario, podrían producirse daños materiales, incendios, lesiones personales o incluso la muerte. La manipulación del calefactor por parte de una persona no capacitada anulará la garantía.



**ADVERTENCIA:**  
Antes de revisar la unidad, asegúrese de que el suministro eléctrico esté desconectado en el panel del cortacircuitos o de que el aparato esté desenchufado de la toma de corriente. Así mismo, compruebe que el componente calefactor del aparato esté frío. Asegúrese de que el suministro eléctrico permanezca desconectado durante todo el tiempo que la unidad esté siendo sometida a revisión. En caso contrario, podría sufrir quemaduras graves, electrocución, lesiones graves o incluso la muerte.



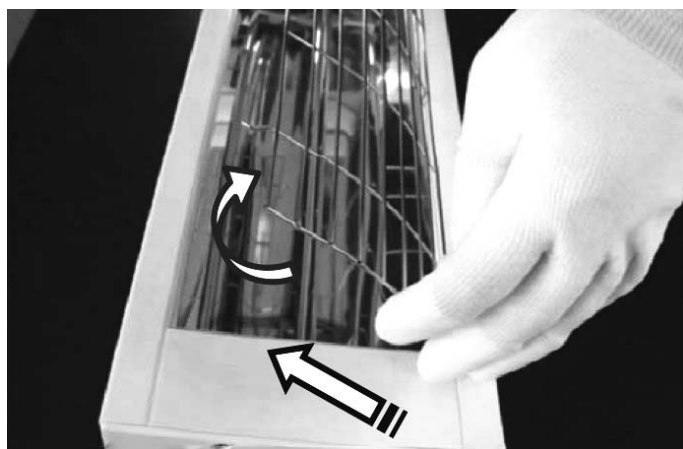
**PRECAUCIÓN:**  
Use siempre guantes de algodón o de otro tejido cuando sustituya la lámpara de calor. No toque la superficie de la lámpara con las manos desnudas. La grasa de la piel dañará la lámpara.

Es necesario desmontar parcialmente el calefactor para acceder a las conexiones eléctricas y poder así sustituir la lámpara.

Utilice un recipiente para guardar de forma segura los componentes desmontados y los tornillos.

### 9.7.1 Sustitución de la lámpara de calor - CIR 150-1 I

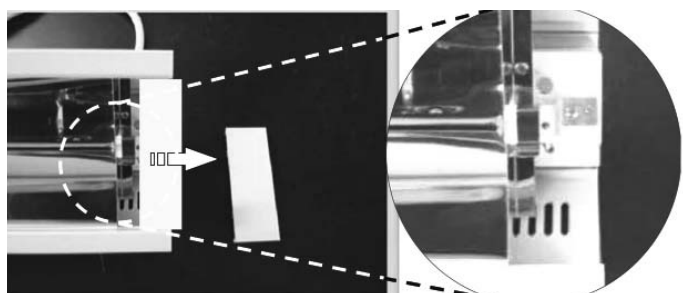
- 1 Comprima el ancho de la rejilla de protección para retraer las pestañas de alambre situadas bajo un extremo del cuerpo del calefactor.
  - » Gire el extremo suelto de la rejilla hacia arriba y hacia fuera respecto del cuerpo del calefactor.
  - » Separe la rejilla del calefactor y extráigala del otro extremo del cuerpo del calefactor. Luego, guarde la rejilla de protección en un lugar seguro:



- 2 Retire la cubierta de los dos extremos del calefactor. Seis (6) tornillos Phillips mantienen la cubierta del extremo en su lugar. Retire los tornillos y guárdelos en un lugar seguro:



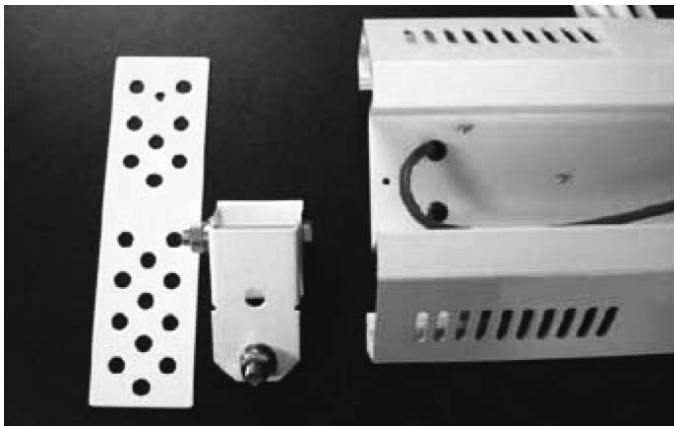
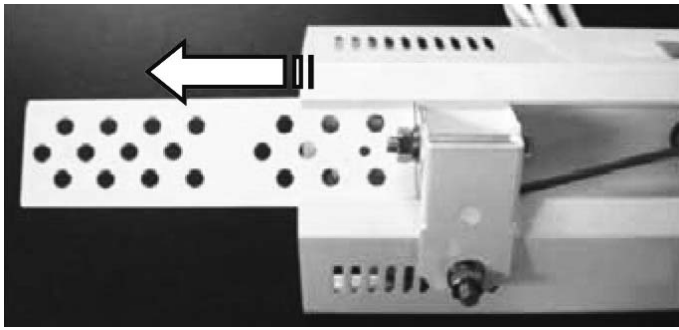
- 3 Deslice hacia afuera la placa frontal de ambos extremos del calefactor para dejar a la vista los dos extremos de la lámpara de calor:



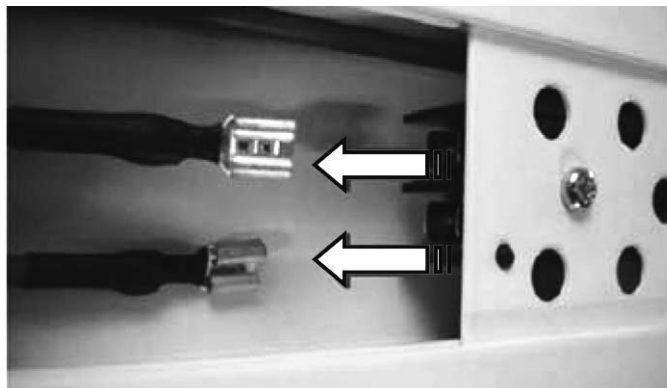
- 4 Coloque el calefactor boca abajo y deslice la cubierta central y el soporte de montaje del calefactor hasta retirarlos del mismo:

# INSTALACIÓN

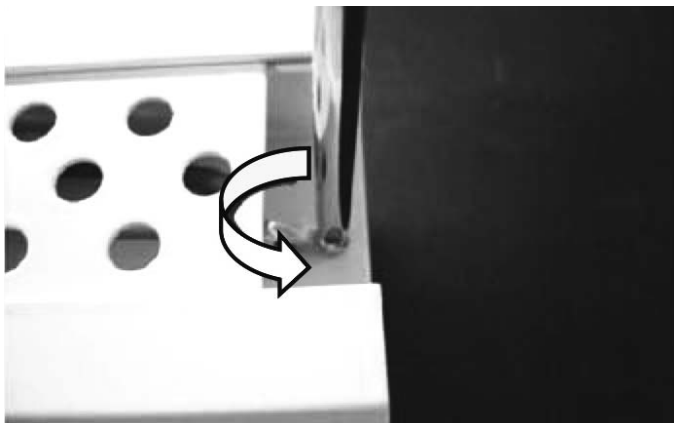
## INSTALACIÓN



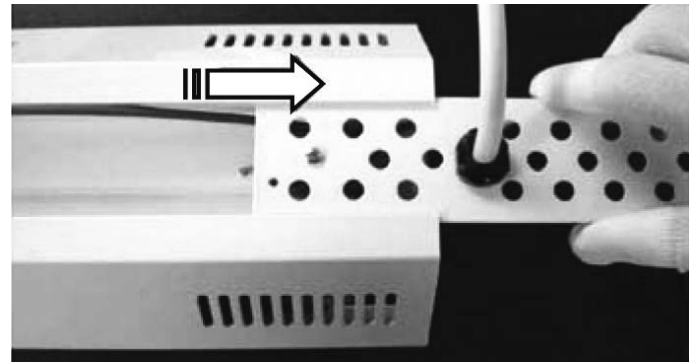
5 Desconecte los conectores planos del cable de suministro eléctrico de los terminales:



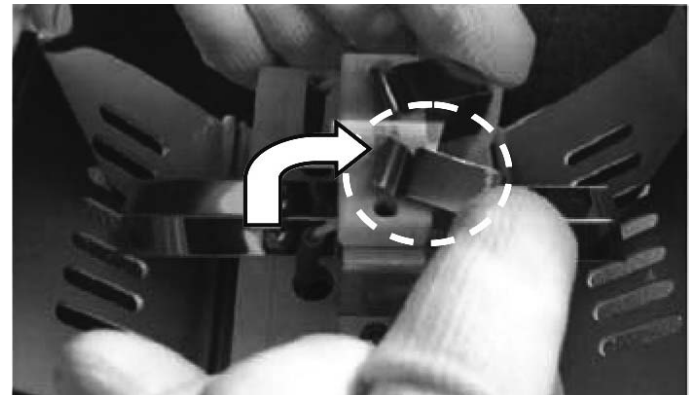
6 Desconecte el cable de tierra (cable de suministro eléctrico) del cuerpo del calefactor retirando el tornillo de anclaje del orificio del terminal de puesta a tierra:



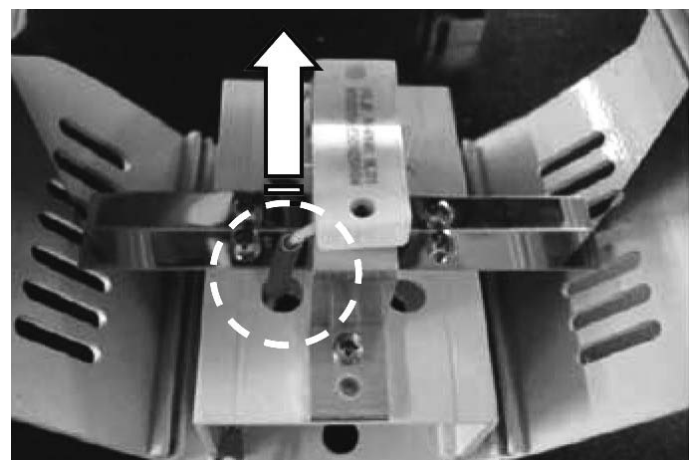
7 Deslice la placa de sujeción del cable de alimentación hasta retirarla del cuerpo del calefactor:



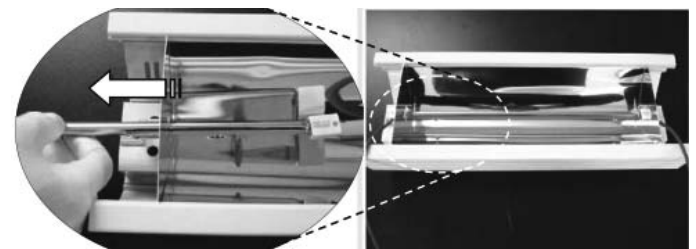
8 Ponga el calefactor boca arriba. Cada extremo de la lámpara tiene un bloque de retención rectangular. Retire los clips de acero inoxidable que fijan los bloques de retención en cada extremo de la lámpara:



9 Tire de los cables de la lámpara hacia arriba y hacia afuera respecto del cuerpo del calefactor en los dos extremos de la lámpara:



10 Diapositiva de la lámpara a través de la placa de extremo del reflector. Correctamente y eliminación segura de lámpara:



# INSTALACIÓN

## INSTALACIÓN

11 La lámpara de calor es frágil, así que manéjela con cuidado.

Use guantes. No toque la lámpara con los dedos desnudos.

La grasa de la piel dañará la lámpara.

» Instale la lámpara de repuesto.

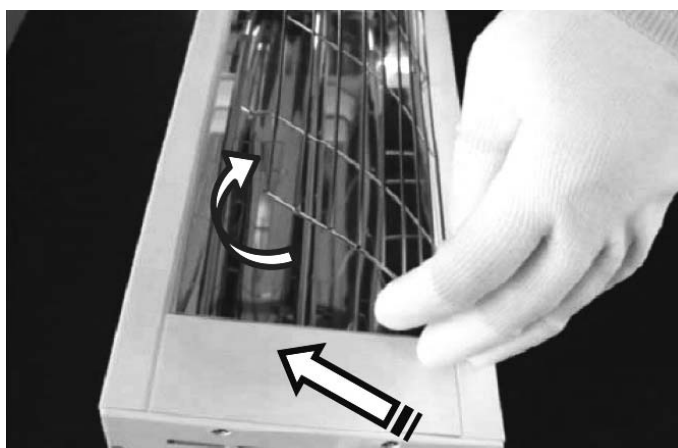
» Vuelva a montar el calefactor siguiendo en orden inverso los pasos arriba indicados.

### 9.7.2 Sustitución de la lámpara de calor - CIR 150-1 0 y CIR 200-2 0

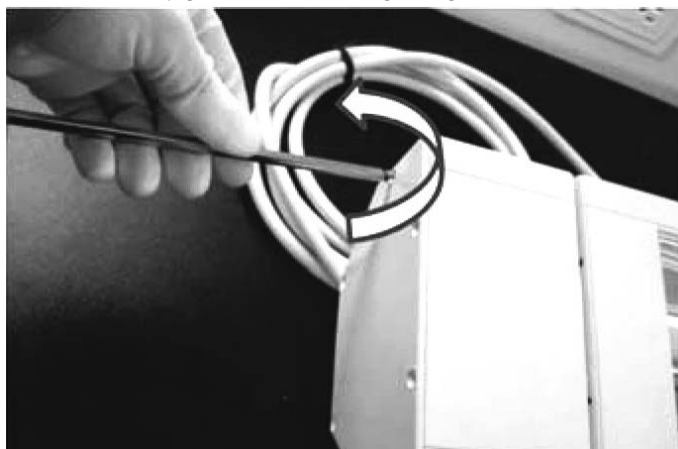
1 Comprima el ancho de la rejilla de protección para retraer las pestañas de alambre situadas bajo un extremo del cuerpo del calefactor.

» Gire el extremo suelto de la rejilla hacia arriba y hacia afuera respecto del cuerpo del calefactor.

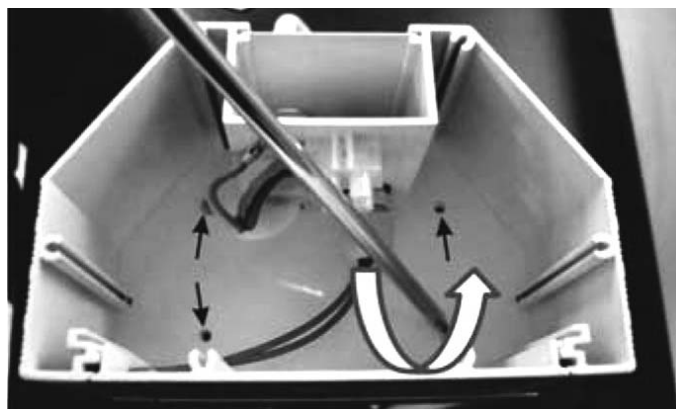
» Separe la rejilla del calefactor y retírela del otro extremo del cuerpo del calefactor. Luego, guarde la rejilla de protección en un recipiente seguro:



2 Retire la caja de conexiones y la cubierta. Seis (6) tornillos Phillips mantienen la cubierta del extremo en su lugar. Retire los tornillos y guárdelos en un lugar seguro:



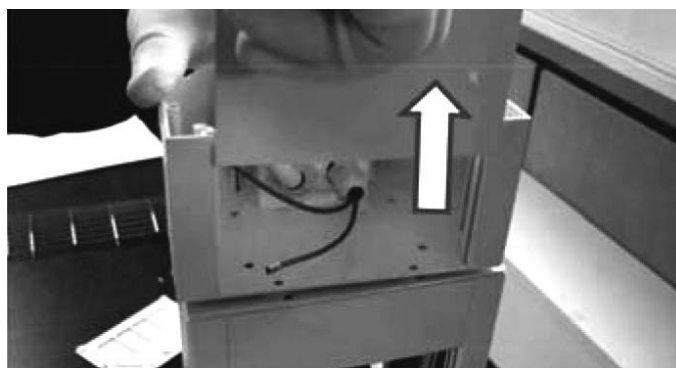
3 Retire la caja de conexiones y la cubierta. Seis (6) tornillos Phillips mantienen la cubierta del extremo en su lugar. Retire los tornillos y guárdelos en un lugar seguro:



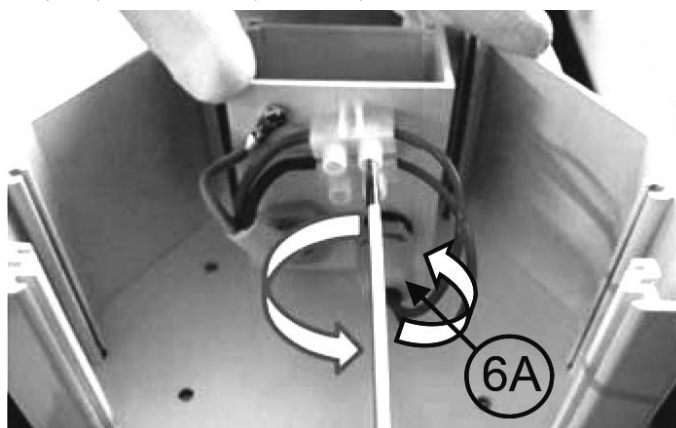
4 Retire los 2 tornillos Phillips que sujetan la placa frontal de la caja de conexiones en su lugar:



5 Desconecte los conectores planos del cable de suministro eléctrico de los terminales:



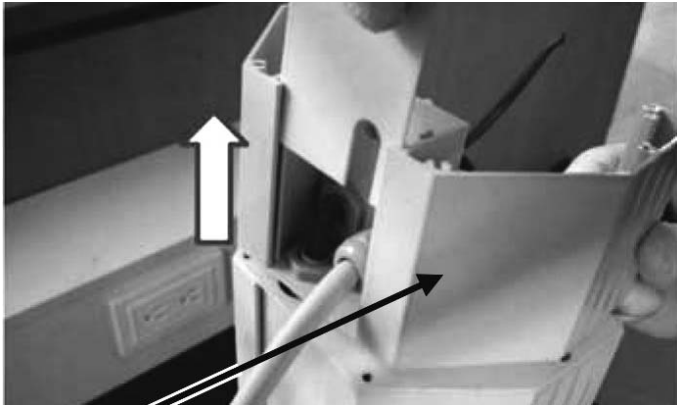
6 Afloje los 2 tornillos del bloque de terminales que conectan los cables rojos de la lámpara de calor en su lugar. Extraiga los extremos de los cables rojos del bloque de terminales. Afloje la abrazadera de plástico del conector impermeable que fija los cables rojos a la caja de conexiones:



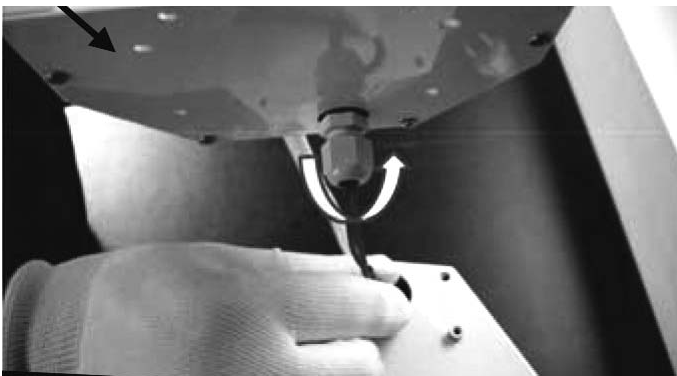
# INSTALACIÓN

## INSTALACIÓN

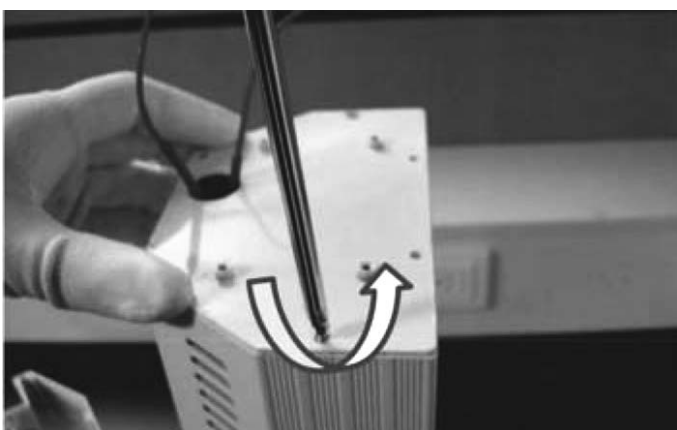
7 Deslice la placa de sujeción del cable de alimentación hasta retirarla del cuerpo del calefactor (superficie superior del calefactor):



8 Afloje la abrazadera de plástico del segundo conector impermeable que fija los cables rojos a través de la placa del extremo de la caja de conexiones.  
» Deslice los cables rojos fuera de la caja de conexiones.  
» Deje la caja de conexiones a un lado:



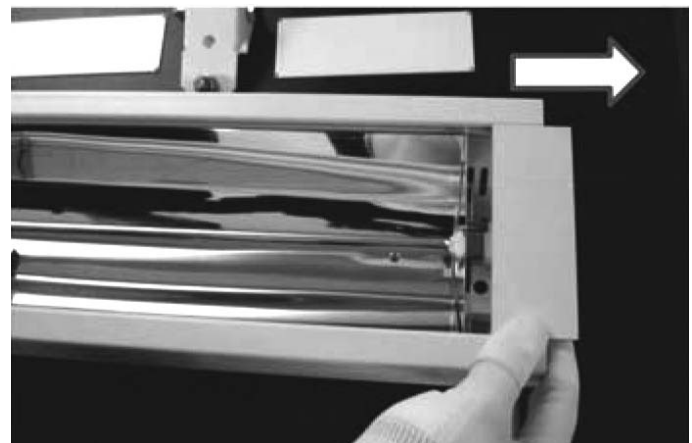
9 Retire la placa del extremo del calefactor: 6 tornillos Phillips sujetan en su lugar la placa del extremo del cuerpo del calefactor:



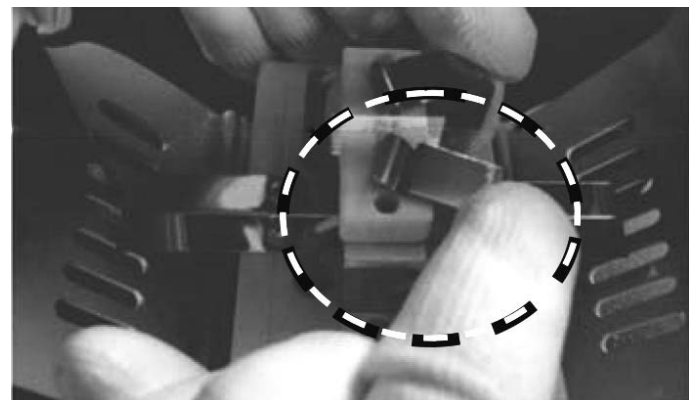
10 Deslice las placas de cubierta y el soporte de montaje del calefactor hasta retirarlos de la parte superior del calefactor. Retire la placa restante del otro extremo del calefactor:



11 Deslice las placas frontales de los extremos del calefactor hasta retirarlas del mismo:



12 Retire los clips de sujeción de la lámpara de calor de ambos extremos de la lámpara:



13 La lámpara de calor es frágil. Deslice cuidadosamente la lámpara de calor vieja a través de la ranura rectangular en el extremo del reflector hasta retirar la lámpara del calefactor:



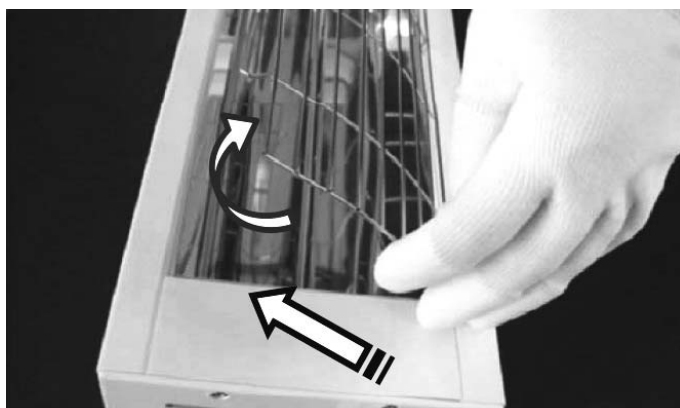
# INSTALACIÓN

## INSTALACIÓN

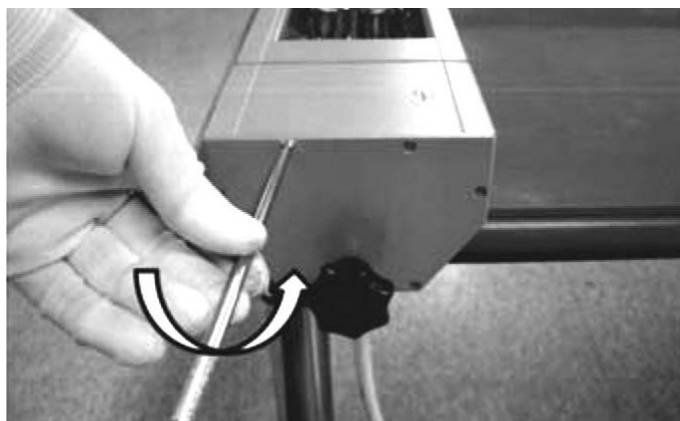
- » Instale cuidadosamente la lámpara de calor nueva y coloque los clips en su lugar.
- » Siga los pasos anteriores en orden inverso para volver a montar el calefactor.

### 9.7.3 Sustitución de la lámpara de calor - CIR 400-2 O

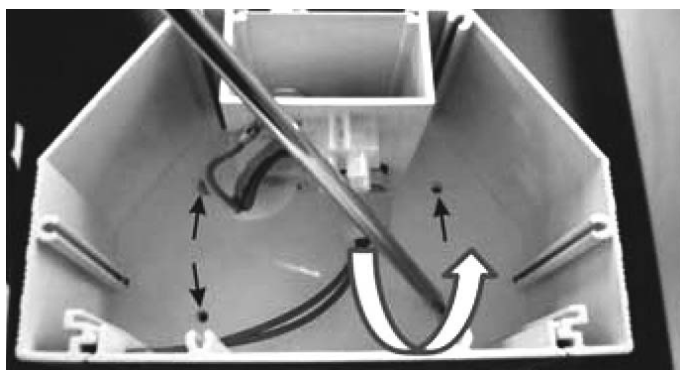
- 1 Comprima el ancho de la rejilla de protección para retraer las pestañas de alambre situadas bajo un extremo del cuerpo del calefactor.
- » Gire el extremo suelto de la rejilla hacia arriba y hacia afuera respecto del cuerpo del calefactor.
- » Separe la rejilla del calefactor y retírela del otro extremo del cuerpo del calefactor. Luego, guarde la rejilla de protección en un recipiente seguro.
- » Repita los pasos para retirar la rejilla si es necesario sustituir otra lámpara:



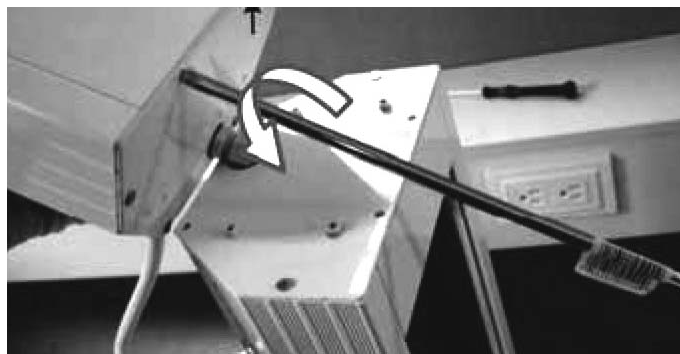
- 2 Retire la placa del extremo del calefactor: 6 tornillos Phillips sujetan en su lugar la placa del extremo del cuerpo del calefactor:



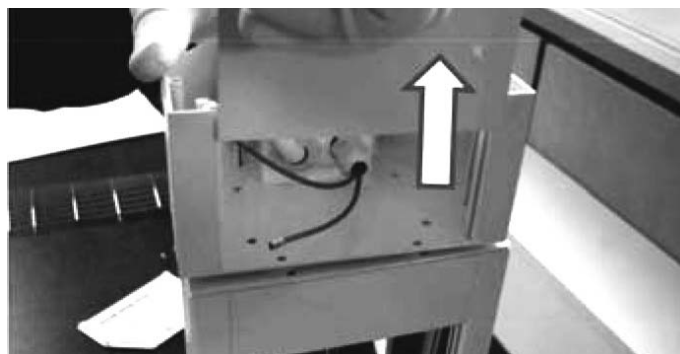
- 3 Retire los 4 tornillos Phillips que sujetan la caja de conexiones al calefactor:



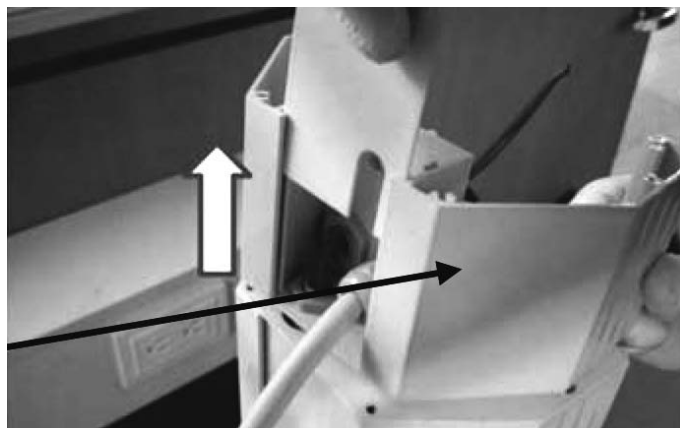
- 4 Retire los 2 tornillos Phillips que sujetan la placa frontal de la caja de conexiones en su lugar:



- 5 Deslice la placa frontal de la caja de conexiones hasta retirarla de la caja de conexiones:



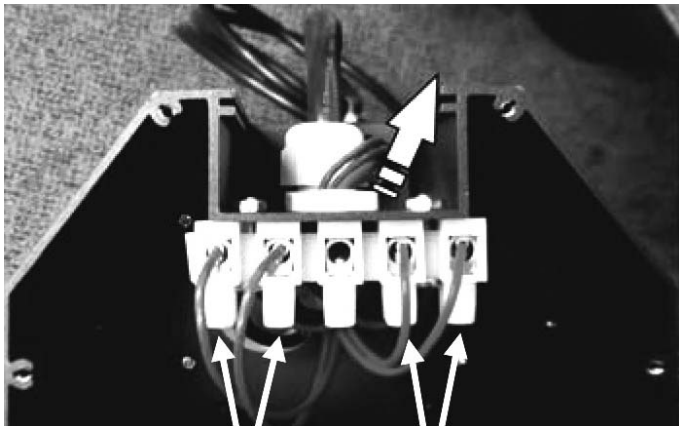
- 6 Deslice la placa de sujeción del cable de alimentación hasta retirarla de la caja de conexiones (superficie superior):



- 7 Afloje los tornillos del bloque de terminales para retirar los cables según sea necesario:
  - » Los cables ROJOS están conectados a la Lámpara 1 (más cerca de la caja de conexiones).
  - » Los cables AZULES están conectados a la Lámpara 2 (extremo más lejano respecto de la caja de conexiones).
  - » No desconecte los cables del suministro eléctrico.
  - » Afloje la abrazadera de sujeción roscada del conector impermeable situada detrás del terminal de cables.
  - » Tire de los cables para extraerlos a través del conector impermeable y de la parte superior de la caja de conexiones:



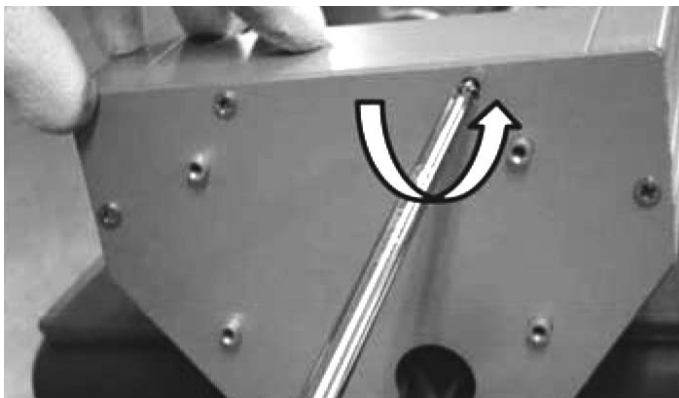
## INSTALACIÓN INSTALACIÓN



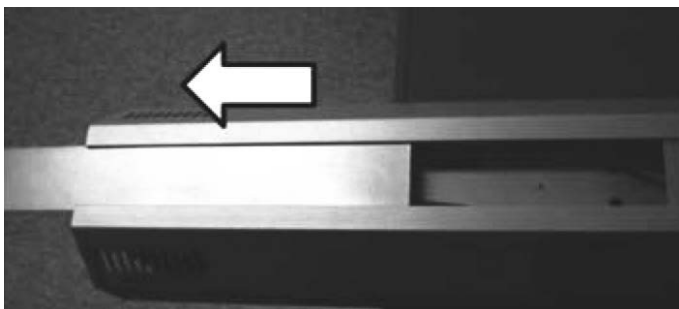
8 Deslice los cables de la lámpara hasta extraerlos de la caja de conexiones. Deje la caja de conexiones a un lado:



9 Retire la placa del extremo interior del calefactor: 6 tornillos Phillips sujetan en su lugar la placa del extremo del cuerpo del calefactor:



10 Deslice las placas de cubierta superiores hasta extraerlas por los extremos de la parte superior del calefactor:

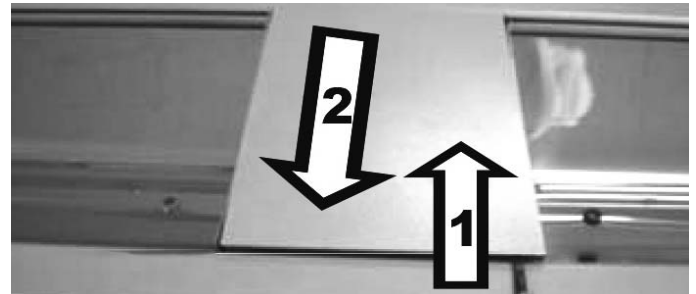


11 Retire la placa frontal del centro:

» El extremo INFERIOR de la placa frontal del centro no tiene reborde inferior.

» Inserte un desatornillador plano de punta fina entre el cuerpo del calefactor y el extremo INFERIOR de la placa frontal.

» Haga palanca para levantar la placa frontal, retírela del cuerpo del calefactor y guárdela en un lugar seguro:

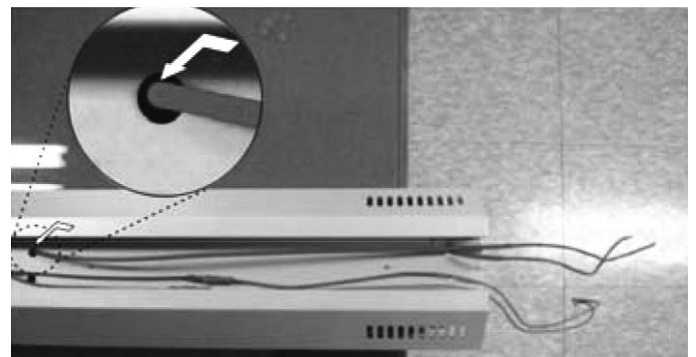


12 Deslice las placas frontales de los extremos del calefactor hasta retirarlas del mismo



13 Para este paso, mantenga en su lugar los clips de sujeción de la lámpara de calor en ambos extremos de las lámparas. La lámpara de calor es frágil; tenga cuidado cuando introduzca los cables por los orificios.

» Introduzca cuidadosamente cada cable de la lámpara por la parte superior del calefactor a través del orificio existente en el cuerpo del calefactor de manera que el cable quede dentro del cuerpo del calefactor (al igual que la lámpara):



14 Retire los clips de sujeción de la lámpara de calor en ambos extremos de las lámparas.

» Un clip en cada extremo del calefactor

» Dos clips en el centro del calefactor:



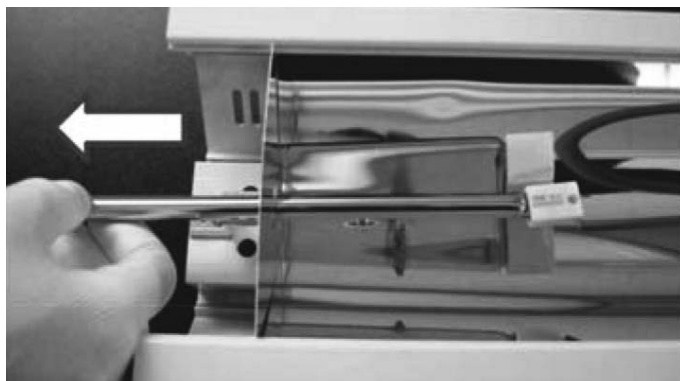
# INSTALACIÓN

## ENTREGA DEL APARATO



15 La lámpara de calor es muy frágil; manipúlela y móntela con mucho cuidado.

- » Deslice cuidadosamente la lámpara de calor vieja a través de la ranura rectangular en el extremo del reflector hasta retirarla del calefactor.
- » Instale cuidadosamente la lámpara de calor nueva y coloque los clips en su lugar.
- » Siga los pasos anteriores en orden inverso para volver a montar el calefactor.
- » Tenga especial cuidado de no dañar la lámpara en el paso 14 y en el paso 13:



### 10. Entrega del aparato

Explique las funciones del aparato al usuario. Centre su atención especialmente en la información de seguridad. Entregue las instrucciones de instalación y funcionamiento al usuario.

### 11. Qué hacer si...

... el aparato no se calienta:

- » Para los modelos de 120 V, asegúrese de que la unidad esté enchufada a una toma de corriente de 120 V correctamente conectada a tierra y que el temporizador esté encendido.
- » Para los modelos de 240 V, asegúrese de que el temporizador esté encendido, que el cortacircuitos tenga un suministro eléctrico adecuado y que el cortacircuitos no se haya activado. Revise el (los) cortacircuitos para comprobar que no esté(n) defectuoso(s).

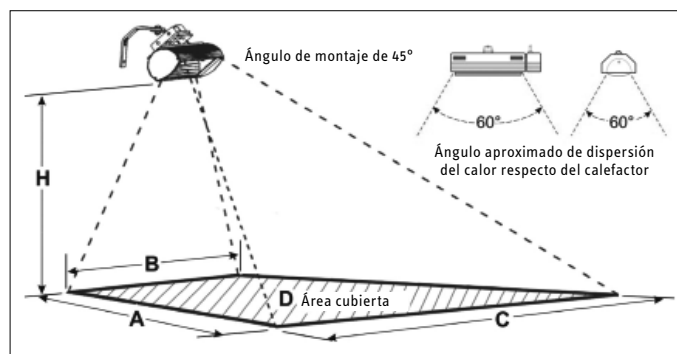
... percibe un olor:

- » Durante un corto periodo de tiempo tras la instalación inicial o tras un periodo prolongado de inactividad, la unidad puede desprender cierto olor. Esto es normal y no durará mucho una vez que se reanude el funcionamiento normal.

Si no se soluciona el fallo, póngase en contacto con el contratista. Para facilitar y agilizar su consulta, por favor, indique el número que figura en la placa de características (Nr. XXXX-XXXX-XXXX).

## 12. Especificaciones

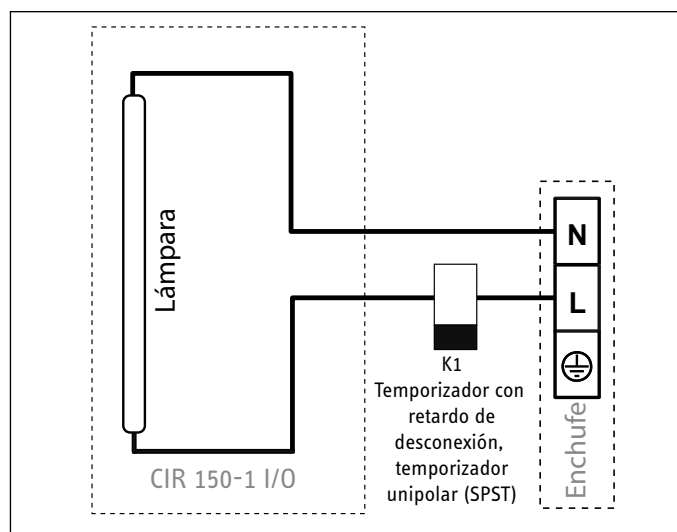
### 12.1 Especificaciones recomendadas de montaje y cobertura



Modelo	Vatios	H	Dimensiones del área calefactada				
			A	B	C	D	E
CIR 150-1 I, 1500 W	1500 W	Min.: 7' (2.1 m)	8' 10" (2.7 m)	8' 6" (2.6 m)	16' 1" (4.9 m)	108 ft <sup>2</sup> (10.1 m <sup>2</sup> )	13.9 W/ft <sup>2</sup> (148.5 W/m <sup>2</sup> )
			Max.: 8' (2.4 m)	9' 10" (3.0 m)	9' 2" (2.8 m)	18' 1" (5.5 m)	133 ft <sup>2</sup> (12.4 m <sup>2</sup> )
CIR 200-2 O 2000 W	2000 W	Min.: 8' (2.4 m)	9' 10" (3.0 m)	9' 2" (2.8 m)	18' 1" (5.5 m)	133 ft <sup>2</sup> (12.4 m <sup>2</sup> )	15.0 W/ft <sup>2</sup> (161.3 W/m <sup>2</sup> )
			Max.: 9' (2.7 m)	11' 2" (3.4 m)	9' 10" (3.0 m)	20' (6.1 m)	165 ft <sup>2</sup> (15.3 m <sup>2</sup> )
CIR 400-2 O 4000 W	4000 W	Min.: 10' (3.0 m)	11' 10" (3.6 m)	11' 2" (3.4 m)	23' (7.0 m)	205 ft <sup>2</sup> (19.0 m <sup>2</sup> )	19.5 W/ft <sup>2</sup> (210.5 W/m <sup>2</sup> )
			Max.: 11' 6" (3.5 m)	13' 5" (4.1 m)	14' 1" (4.3 m)	27' 7" (8.4 m)	275 ft <sup>2</sup> (25.4 m <sup>2</sup> )

### 12.2 Diagrama del cableado

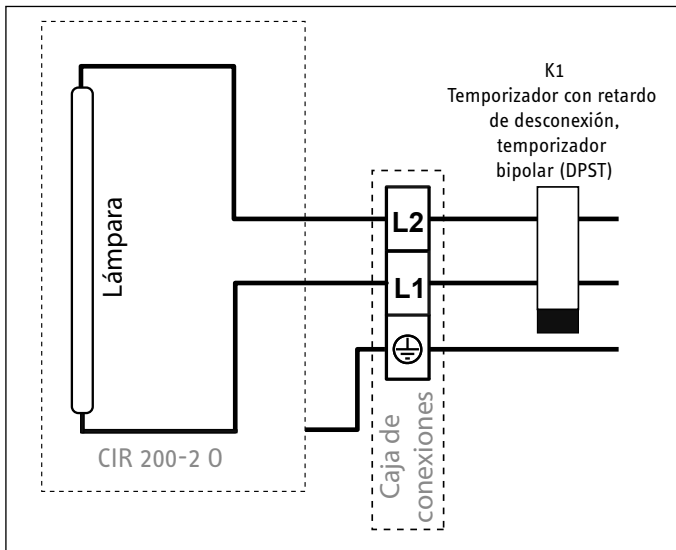
CIR 150-1 I, CIR 150-1 O



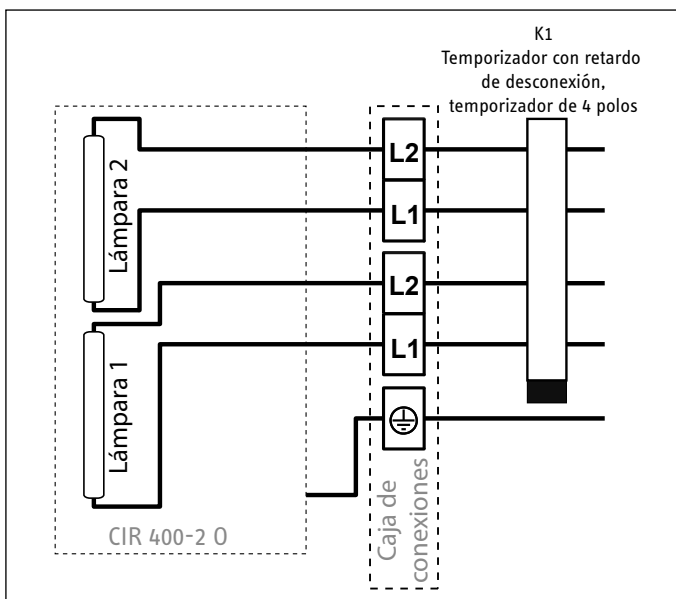
# INSTALACIÓN

## ESPECIFICACIONES

CIR 200-2 0

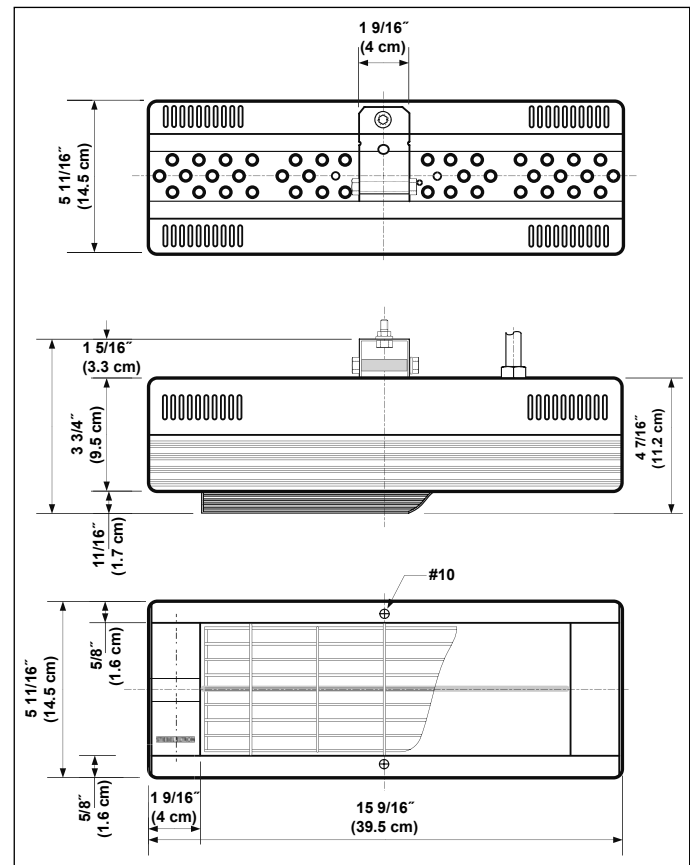


CIR 400-2 0

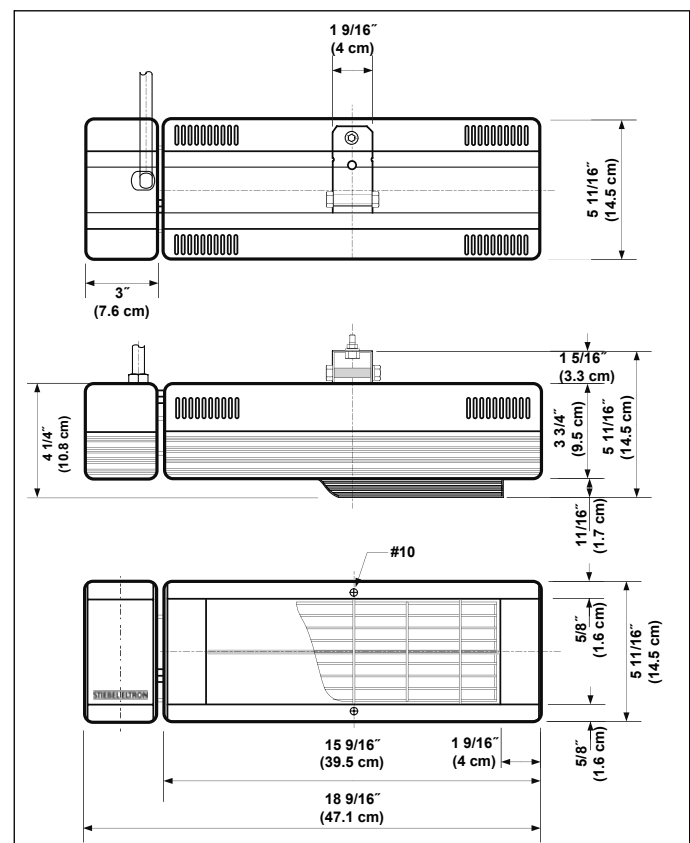


### 12.3 Dimensiones

CIR 150-1 I



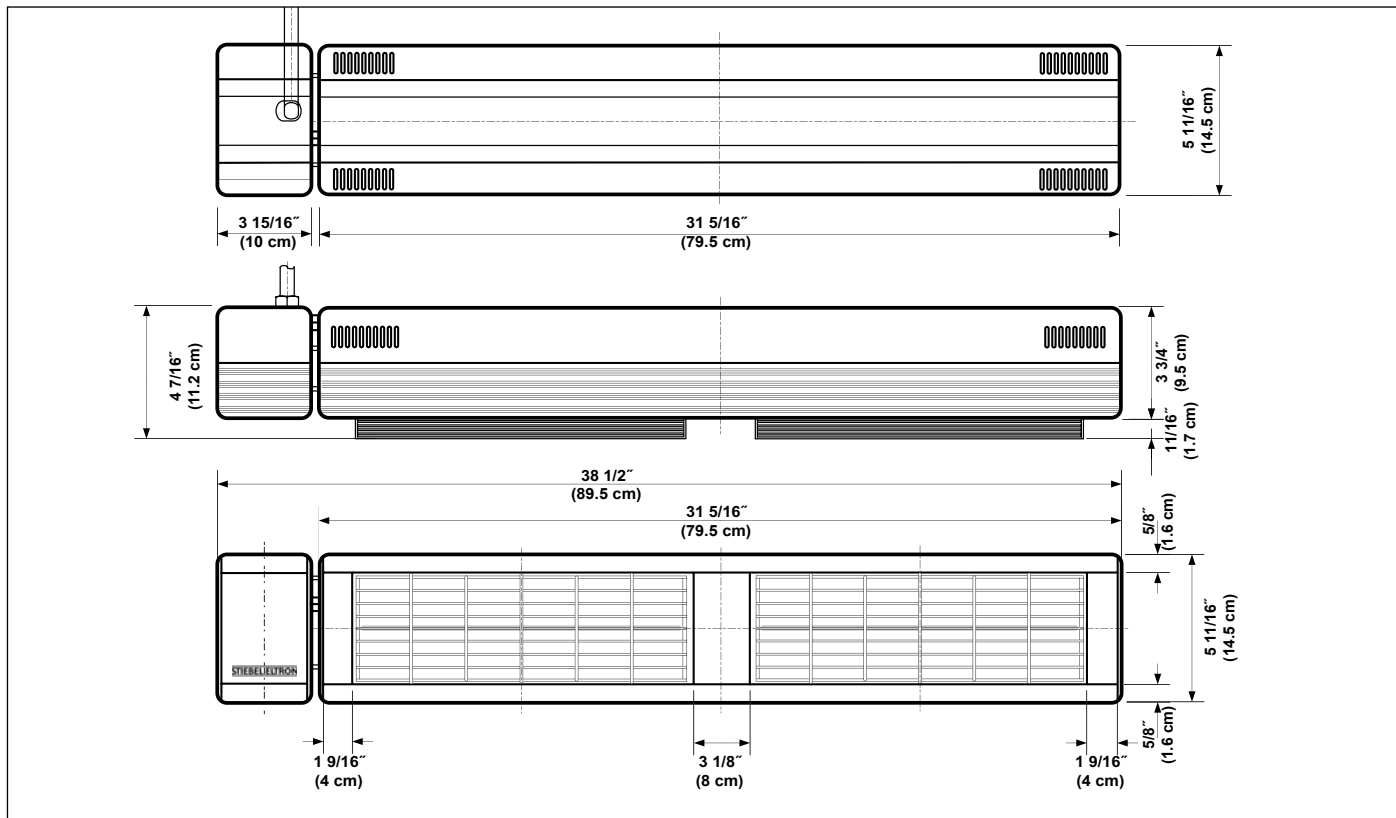
CIR 150-1 0 & CIR 200-2 0



# INSTALACIÓN

## PIEZAS DE REPUESTO

### CIR 400-2 0



ESPAÑOL

## 12.4 Tabla de especificaciones

Modelo	CIR 150-1 I	CIR 150-1 0	CIR 200-2 0	CIR 400-2 0
Núm. producto	234047	234048	234049	234050
Uso	solo interiores	interiores/exteriores	interiores/exteriores	interiores/exteriores
Norma de ensayo	ANSI/UL 1278	ANSI/UL 2021	ANSI/UL 2021	ANSI/UL 2021
Voltaje, 60Hz	115-120 V	115-120 V	230-240 V	230-240 V
Vataje	1.5 kW	1.5 kW	2.0 kW	4.0 kW
Amperaje	12.5 A	12.5 A	8.3 A	2 x 8.3 A
Número y tamaño necesarios de cortacircuitos	20 A	20 A	15 A	2 x 15 A
Calibre de cable necesario (cobre)	14 AWG			
Temperatura de la lámpara	2420 °F, ±360 °F / 1325 °C, ±200 °C			
Vida útil de la lámpara (en condiciones normales)	5000 horas			
Temperatura de color de la lámpara	1600 K, ±200 K			
Altura	5 11/16 pulg / 145 mm			
Anchura	15 9/16 pulg / 395 mm	18 9/16 pulg / 395 mm	18 9/16 pulg / 395 mm	38 1/2 pulg / 978 mm
Profundidad	4 7/16 pulg / 112 mm	4 3/4 pulg / 108 mm	4 3/4 pulg / 108 mm	4 7/16 pulg / 112 mm
Peso	4.85 lb / 2.2 kg	5.5 lb / 2.5 kg	5.5 lb / 2.5 kg	8.8 lb / 4.0 kg
Grado de protección IP	IP20	IP24	IP24	IP24
Color	blanco alpino			

## 13. Piezas de repuesto

Modelo	CIR 150-1 I	CIR 150-1 0	CIR 200-2 0	CIR 400-2 0
Rejilla de protección	BHSG	BHSG	BHSG	BHSG
Lámpara de calor	LGHS1520	LGHS1524	LGHS2024	(2) LGHS2024

## 14. Garantía

**Garantía residencial y comercial:** Stiebel Eltron, Inc. garantiza al consumidor original que el Calefactor Infrarrojo CIR está libre de defectos de material y/o fabricación en condiciones normales de uso y mantenimiento durante un periodo de un (1) año (12 meses) a partir de la fecha de compra, garantía que está sujeta a las condiciones y limitaciones expuestas en el presente documento. Advertencia: El uso de este calefactor en regiones costeras con aire salino puede producir corrosión en el cuerpo de aluminio y en el reflector, así como el fallo prematuro de la lámpara de calor. La corrosión y el fallo derivados del uso del calefactor en zonas costeras no quedan cubiertos por la garantía.

### GARANTÍA DE UN AÑO (12 MESES)

De acuerdo con las condiciones y limitaciones recogidas en el presente documento y definidas más abajo, durante el periodo de esta garantía limitada suministraremos cualquier pieza que componga el calefactor, a excepción de la mano de obra, que la inspección por parte del Fabricante determine que es defectuosa por su fabricación o material durante un periodo de un año (12 meses) a partir de la fecha de compra. Esta garantía se aplica al dueño original del calefactor y solo si la unidad se instala y utiliza de acuerdo con las instrucciones impresas que acompañan a la unidad y con todas las normas de instalación, códigos de construcción y buenas prácticas comerciales aplicables. En caso de no mantener el equipo en buenas condiciones mediante el mantenimiento o la revisión regular por parte de un técnico de un servicio autorizado, la garantía quedará anulada.

### ASPECTOS QUE LA GARANTÍA NO CUBRE

El Fabricante no será responsable de ningún gasto, incluyendo gastos de mantenimiento, mano de obra, diagnóstico, análisis, material o transporte/envío, generado durante la retirada, reparación o reinstalación de este producto o de cualquiera de sus componentes o piezas. Todos los gastos de mano de obra, envío y/o mantenimiento correrán por cuenta del propietario. Esta garantía no cubre aquellos productos que hayan sido modificados tras su salida de fábrica; hayan sido instalados de manera inadecuada; hayan sido utilizados de forma incorrecta; hayan sufrido un mal uso o daños por hechos fortuitos, negligencia, accidente, atmósfera corrosiva o contaminada, inmersión en agua, choque térmico excesivo, impacto, abrasión, desgaste normal por el uso, alteración o funcionamiento contrario a lo indicado en el manual de instrucciones, o si el número de serie ha sido modificado, desfigurado o borrado. Esta garantía no será aplicable si el voltaje al que ha sido conectado el calefactor excede la tensión nominal indicada en la placa de características en más del 10%. El Fabricante no será responsable de los daños resultantes derivados de, o relacionados con, el uso o rendimiento del producto; ni de otros daños indirectos relacionados con la pérdida de propiedad, ingresos o beneficios; ni de costes de retirada, instalación o reinstalación; ni de ninguna falta o retraso en el rendimiento por su garantía a causa de cualquier contingencia fuera de su control, incluidas guerras, restricciones gubernamentales, limitaciones, huelgas, incendios, inundaciones, hechos fortuitos o suministro reducido o insuficiente de materias primas o productos.

### PROCEDIMIENTO DE LA GARANTÍA

Para determinar la fecha de compra con cualquier propósito en virtud de la presente Garantía Limitada, debe usted conservar el recibo original, que puede establecer la fecha de compra de su unidad. Si usted no facilita dicho documento, la fecha de inicio del periodo de esta Garantía Limitada se basará en la fecha de fabricación de la unidad más treinta (30) días. En caso de que el propietario desee devolver el calefactor infrarrojo CIR para su reparación, primero debe obtener una autorización por escrito de Stiebel Eltron, Inc. Se le podrá solicitar al propietario que presente una prueba de la fecha de compra y que se haga cargo de todos los costos de transporte para regresar la(s) pieza(s) defectuosa(s) o el calefactor para su reparación o sustitución. La garantía quedará anulada si el calefactor ha sido instalado o utilizado de forma incorrecta o si su diseño ha sido modificado de algún modo.

### LIMITACIONES Y EXCLUSIONES

El presente documento contiene todas las garantías que ofrece el Fabricante y no puede ser modificado, alterado ni ampliado por ninguna persona. El Fabricante no ofrece ninguna otra promesa ni acuerdo aparte de lo indicado en este documento. ESTA GARANTÍA SUSTITUYE A TODAS LAS GARANTÍAS EXPLÍCITAS O IMPLÍCITAS, EN LA MEDIDA EN QUE LO AUTORICEN LAS LEYES DE LA JURISDICCIÓN, INCLUYENDO ESPECÍFICAMENTE LAS GARANTÍAS O LA COMERCIABILIDAD DE LA APTITUD DEL PRODUCTO PARA UN DETERMINADO PROPÓSITO. Todas las garantías están limitadas a una duración de 12 meses. Se comprende y acuerda que la obligación del Fabricante en virtud del presente documento queda limitada a la reparación o sustitución de las piezas que se determine que están defectuosas, según se indica más arriba. En ningún caso el Fabricante será responsable de supuestas lesiones personales u otros daños especiales, fortuitos o consecuentes. En relación con daños materiales, contrato, agravio u otras reclamaciones, la responsabilidad del Fabricante no excederá el precio de compra abonado por el producto. Todas las piezas de sustitución estarán garantizadas por la parte no utilizada del periodo restante de cobertura de la garantía de la unidad correspondiente. Algunos estados y autoridades no permiten determinadas exclusiones o limitaciones de las garantías sobre cuánto dura una garantía ni tampoco las exclusiones o limitaciones de los daños fortuitos o consecuentes. En esos casos, las limitaciones o exclusiones arriba indicadas pueden no aplicarse a su caso concreto y no se pretende que lo hagan cuando la ley así lo prohíba. Esta garantía le otorga a usted derechos legales específicos. Usted puede disfrutar también de otros derechos que varían en cada jurisdicción.



La instalación, conexión eléctrica y primera puesta en marcha del aparato debe realizarlas únicamente un instalador calificado.



La empresa no acepta responsabilidades por el fallo de ningún producto suministrado que no haya sido instalado y utilizado de acuerdo con las instrucciones del fabricante.

## Medio ambiente y reciclaje

Por favor, ayúdenos a proteger el medio ambiente deshaciéndose del embalaje de acuerdo con la normativa nacional para el tratamiento de desechos.

Esta Garantía solo es válida en Estados Unidos y Canadá. Las garantías pueden variar de un país a otro. Consulte a su representante de Stiebel Eltron local para conocer la Garantía correspondiente a su país.

**UTILISATION**

<b>1. Directives importantes</b>	<b>37</b>
1.1 Généralités à propos de ce document	38
1.2 Légende des symboles	38
<b>2. Sécurité</b>	<b>38</b>
2.1 Distances minimales	38
2.2 Usage prévu	39
2.3 Renseignements relatifs à la sécurité	39
2.4 Désignation ETL / UL / CSA	39
<b>3. Inscrivez votre produit</b>	<b>40</b>
<b>4. Description de l'appareil</b>	<b>40</b>
<b>5. Mode d'emploi</b>	<b>40</b>
5.1 Démarrage du radiateur	40
5.2 Désactivation du radiateur	40
<b>6. Nettoyage, soin et entretien</b>	<b>40</b>
6.1 Entretien	40
6.2 Nettoyage	40
<b>7. Sécurité</b>	<b>41</b>
7.1 Généralités relatives à la sécurité	41
7.2 Directives, normes et règlements	41
<b>8. Description de l'appareil</b>	<b>41</b>
8.1 Livraison normale	41

**INSTALLATION**

<b>9. Installation</b>	<b>41</b>
9.1 Considérations et directives pour la conception du projet	41
9.2 Généralités relatives à l'installation	42
9.3 Emplacement du radiateur	42
9.4 Fixation du radiateur	43
9.5 Distances minimales	43
9.6 Configuration électrique	44
9.7 Remplacement de la lampe chauffante	45
<b>10. Transfert de l'appareil</b>	<b>51</b>
<b>11. Que faire si...</b>	<b>52</b>
<b>12. Spécification</b>	<b>52</b>
12.1 Recommandations en termes de spécifications de fixation et de couverture	52
12.2 Schéma de câblage	52
12.3 Dimensions	53
12.4 Tableau des spécifications	54
<b>13. Pièce après-vente</b>	<b>54</b>
<b>14. Garantie</b>	<b>55</b>

**UTILISATION**

**1. DIRECTIVES IMPORTANTES**

**GARDER CES DIRECTIVES POUR RÉFÉRENCE ULTÉRIEURE.**

Pour réduire le risque d'incendie, de choc électrique, de blessures graves, voire mortelles ou de dégâts matériels, respectez les mesures de précaution suivantes lorsque vous utilisez des appareils électriques :

- 1 Seul un électricien qualifié est autorisé à installer ce radiateur. Lire et comprendre toutes les instructions avant d'installer, d'utiliser ou d'effectuer des réparations sur ce radiateur. Une installation, une utilisation, un réglage, une modification, un entretien ou une réparation mal effectués peuvent entraîner un risque d'incendie et de choc électrique et pourraient provoquer des dégâts, des blessures ou être fatals.
- 2 Cet appareil est chaud lorsqu'il est en marche. Pour éviter de vous brûler, ne touchez pas les surfaces chaudes avec la peau nue. Gardez les cordons électriques et les matériaux combustibles, comme les meubles, les coussins, la literie, le papier, les vêtements, etc. et les rideaux à au moins 1 m (3 pi) de distance du devant du radiateur et au moins à 1 m (3 pi) de distance latéralement et à l'arrière.
- 3 Il faut faire extrêmement attention lorsqu'un radiateur est utilisé par ou à proximité d'enfants ou de personnes invalides.
- 4 Ne laissez jamais le radiateur sans surveillance pendant qu'il fonctionne. Débranchez les modèles 120 V ou coupez le ou les disjoncteurs des modèles 240 V lorsqu'ils ne sont pas utilisés.
- 5 N'utilisez pas de radiateur présentant un cordon ou une prise endommagé(e), après qu'il ait mal fonctionné, s'il est tombé par terre ou s'il a été endommagé de quelle manière que ce soit. Ramenez le radiateur auprès d'un service d'entretien agréé pour les opérations d'inspection, de réglage électrique ou mécanique ou de réparation.
- 6 Ces appareils ne doivent pas être utilisés dans les salles de bain, les buanderies ou les pièces de ce genre. Ne mettez jamais le radiateur à un endroit où il pourrait tomber dans une baignoire ou dans un autre récipient contenant de l'eau.
- 7 Le modèle CIR 150-1 I est prévu pour usage intérieur uniquement. N'utilisez pas ce modèle à l'extérieur ou dans des milieux humides. Les modèles CIR 150-1 O, CIR 200-2 O et CIR 400-2 O peuvent être utilisés à l'extérieur ou dans des milieux humides.
- 8 Ne faites pas passer le cordon sous les moquettes. Ne recouvrez pas le cordon avec des tapis, des carpettes ou des articles de ce genre. Faites passer le cordon d'alimentation à l'écart des zones de circulation pour éviter qu'il fasse trébucher.
- 9 Faites passer le cordon sur le bord et sur l'arrière du radiateur - faites en sorte que le cordon ne passe pas au-dessus de l'appareil.
- 10 Pour débrancher l'appareil, retirez la fiche de la prise (modèles 120 V) ou coupez directement à l'alimentation (modèles 240 V).

# UTILISATION

## SÉCURITÉ

- 11 Les modèles 120 V CIR 150-1 I et CIR 150-1 O doivent être branchés à une prise 120 V bien mise à la terre et commandée par un interrupteur à minuterie.
- 12 Les modèles 240 V doivent être directement reliés à un réseau électrique bien mis à la terre et commandé par un interrupteur à minuterie. Il faut utiliser un fil de cuivre.
- 13 Ne mettez pas d'objets dans le radiateur ou dans les ouvertures de ventilation ou d'échappement, et ne laissez aucun objet y pénétrer, car cela pourrait entraîner un choc électrique ou un incendie ou endommager l'appareil. Cela pourrait entraîner des dégâts matériels, des blessures ou être fatal.
- 14 Pour éviter le risque d'incendie, ne bloquez pas les admissions d'air, ni les échappements de quelle manière que ce soit. N'utilisez pas l'appareil sur une surface molle, comme un lit, où les ouvertures pourraient être bloquées.
- 15 N'utilisez ce radiateur que conformément à l'usage décrit par ce manuel. Tout autre usage non recommandé par le fabricant pourrait entraîner un incendie, un choc électrique, des blessures graves, voire mortelles et des dégâts matériels.
- 16 Avec les modèles 120 V, évitez d'utiliser une rallonge car celle-ci pourrait surchauffer et provoquer un incendie. **IMPORTANT** : Toutefois, si vous devez avoir recours à une rallonge, faites en sorte qu'il s'agisse d'une rallonge de calibre minimum n° 14 AWG et de régime nominal minimal de 1875 W.
- 17 Ne touchez pas un radiateur en train de marcher, ni les pièces sous tension - cela pourrait entraîner des brûlures, un choc électrique ou des blessures graves, voire mortelles.
- 18 Tous les modèles CIR doivent être installés sur une minuterie ou un interrupteur avec minuterie Adressez-vous à votre électricien ou votre installateur local pour plus de détails sur l'installation.
- 19 Ne réglez pas le radiateur sur le support pivotant pendant qu'il fonctionne. Laissez l'appareil refroidir complètement avant de régler sa position.
- 20 Ne regardez pas fixement la lampe du radiateur - cela pourrait endommager vos yeux.
- 21 Après usage, laissez refroidir l'appareil complètement avant de le toucher, de le déplacer ou de le ranger.
- 22 Ces directives doivent être rangées à proximité de l'appareil pour consultation ultérieure. Gardez le manuel dans un endroit sûr à proximité de l'appareil.

### 1.1 Généralités à propos de ce document

Le chapitre **Utilisation** est à l'attention des utilisateurs et des installateurs agréés.

Le chapitre **Installation** est à l'attention des installateurs agréés.



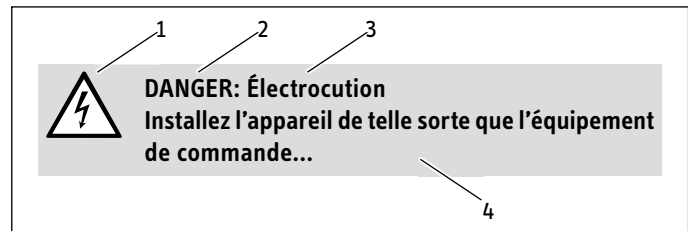
Lisez attentivement ces directives avant d'utiliser l'appareil puis mettez-les de côté pour référence ultérieure. Transférez ce document à toute personne qui utilisera l'appareil.

### 1.2 Légende des symboles

#### 1.2.1 Présentation des renseignements relatifs à la sécurité

Les renseignements relatifs à la sécurité consistent en un symbole d'avertissement, un mot-clé et un paragraphe explicatif. Les renseignements relatifs à la sécurité sont imprimés sur fond gris.

Exemple :



- 1 Symbole
- 2 Mots-clés
- 3 Description
- 4 Explications

#### 1.2.2 Symboles et présentation du texte dans ce document



Lisez attentivement le texte à côté de ce symbole « ».

» Ce symbole « » » indique qu'il vous faut agir. Les mesures à prendre sont décrites de manière très détaillée.

– Les passages avec ce symbole « - » vous renvoient à des listes.

#### 1.2.3 Renseignements relatifs à l'appareil



Ne recouvrez jamais cet appareil

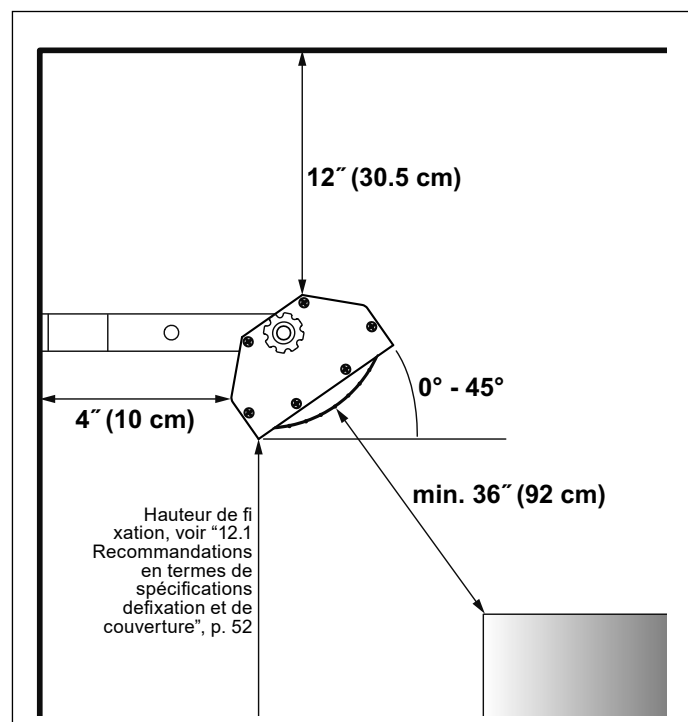
#### 1.2.4 Unités de mesure



Les dimensions dans ce document sont données en cm (po). Toute autre unité de mesure sera spécifiée le cas échéant.

## 2. Sécurité

### 2.1 Distances minimales

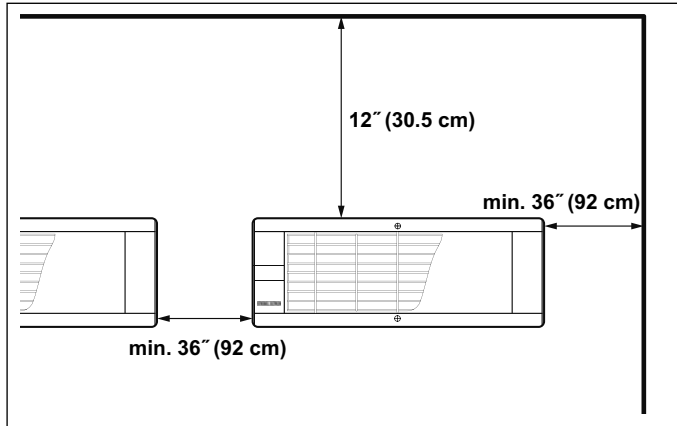


Ne mettez rien à moins de 92 cm (3 pi) devant ou sous le radiateur.

# UTILISATION

## SÉCURITÉ

Fixez les supports à un élément de structure (ou un support de résistance et d'intégrité équivalentes) sur un mur ou une surface non-combustible.



### 2.2 Usage prévu

Cet appareil est conçu pour chauffer des pièces habitées. Le modèle CIR 150-1 I est prévu pour usage intérieur uniquement. Les modèles CIR 150-2 O, CIR 200-2 O et CIR 400-2 O sont prévus pour être utilisés à l'extérieur ou à l'intérieur.

Tout autre usage au-delà de l'usage décrit sera jugé inapproprié. L'utilisation correcte de cet appareil consiste notamment à respecter toutes les directives de ce manuel. Toute modification ou conversion de l'appareil annulera tous les droits dans le cadre de la garantie.

### 2.3 Renseignements relatifs à la sécurité

N'utilisez cet appareil que s'il a été installé entièrement par un électricien agréé et avec tout l'équipement de sécurité bien attaché.



#### AVERTISSEMENT: Incendie

N'utilisez jamais cet appareil...

- dans des pièces où l'appareil pourrait s'enflammer ou exploser du fait du contact avec des produits chimiques, de la poussière, des gaz ou des vapeurs.
- à proximité directe de conduites ou de conteneurs transportant ou contenant des produits inflammables ou explosifs.
- si des travaux de pose de câbles, de meulage ou d'étanchéisation sont exécutés dans la pièce d'installation.
- si l'on utilise des vaporisateurs, de l'encaustique ou des produits du même genre contenant de l'essence. Aérez suffisamment la pièce avant de mettre l'appareil en marche.
- si les distances minimales par rapport aux surfaces des objets adjacents ne sont pas respectées, par exemple des meubles, des voilages, des rideaux, des tissus ou d'autres matériaux inflammables.



#### AVERTISSEMENT: Blessure

Lorsque des enfants ou des personnes aux capacités physiques, sensorielles ou mentales limitées sont autorisés à utiliser cet appareil, veillez à ce qu'ils soient sous la surveillance d'une personne responsable de leur sécurité ou qu'on leur ait expliqué le fonctionnement de manière appropriée. Faites en sorte de surveiller et d'informer les enfants pour vous assurer qu'ils ne jouent pas avec cet appareil.



#### AVERTISSEMENT: Incendie

Ne mettez jamais d'objets ni de matériaux inflammables, combustibles ou d'isolation, comme des vêtements qui viennent d'être lavés, des couvertures, des magazines, des contenants d'encaustique ou de dérivés du pétrole, des canettes de vaporisateur, ou tout autre objet du même genre sur l'appareil ou à proximité directe de celui-ci.



#### AVERTISSEMENT: Incendie

Nunca deje el calefactor desatendido mientras esté en funcionamiento. El calefactor debe ser instalado conectado a un temporizador. Desenchufe los modelos de 120 V o desconecte el (los) cortacircuitos de los modelos de 240 V cuando el aparato no esté en funcionamiento.



#### AVERTISSEMENT: Électrocution

Débranchez toujours l'appareil de l'alimentation électrique avant d'effectuer des réparations. Le non-respect de cette directive pourrait entraîner des blessures graves, voire mortelles. Ne mettez ni n'utilisez jamais l'appareil là où il pourrait tomber dans une baignoire ou dans un autre récipient contenant de l'eau.



#### AVERTISSEMENT: Brûlures

Les surfaces du boîtier de l'appareil pourraient devenir chaudes pendant le fonctionnement. Ne le touchez pas pendant qu'il fonctionne. Laissez-le refroidir complètement après usage et avant de le toucher.



#### ATTENTION: Surchauffe

Ne recouvrez jamais cet appareil

### 2.4 Désignation ETL / UL / CSA

La désignation ETL / UL indique que l'appareil satisfait à toutes les exigences essentielles conformément aux normes ANSI/UL 1278 ou 2021 et CAN/CSA C22.2 N° 46.

#### 2.4.1 Étiquette signalétique

Cf. la plaque signalétique.

La plaque signalétique se situe en haut au centre de l'extérieur de l'appareil.

### 3. Inscrivez votre produit



**Vous devez inscrire votre produit dans les 90 jours qui suivent la date d'achat sur notre site internet pour activer la garantie normale ou pour pouvoir réclamer la garantie prolongée. Rendez-vous à notre site internet à l'adresse suivante : [www.stiebel-eltron-usa.com](http://www.stiebel-eltron-usa.com) et cliquez sur « Register Your Product » (inscrivez votre produit).**

Avant de lancer le processus d'inscription, nous vous conseillons d'avoir à portée de main la documentation nécessaire, à savoir :

**Type, Exemple:** CIR 150-1 I (de l'étiquette située sur le dessus de l'appareil, au centre)

Numéro apparaissant après « Nr. » (N°)

Lieu d'achat

Date d'achat

Prénom et nom de famille

Adresse courriel

Adresse postale

Numéro de téléphone

En cas de questions à propos du processus d'inscription ou des options pour la garantie, veuillez contacter Stiebel Eltron USA directement en composant le (800) 582-8423.

### 4. Description de l'appareil

Cet appareil est un radiateur par rayonnement qui utilise une lumière infrarouge à ondes courtes. Il est conçu pour chauffer les objets, pas l'air ambiant. Il est conçu pour être installé au mur ou sur un poteau.

Tous les modèles sont compatibles avec une utilisation en tant que système de chauffage localisé pour les espaces de vie à l'intérieur comme les garages ou les ateliers ou pour le bétail. Le modèle CIR 150-1 I est prévu pour usage intérieur uniquement! Les modèles CIR 150-1 O, CIR 200-2 O et CIR 400-2 sont aussi compatibles pour le chauffage localisé des espaces de vie à l'extérieur comme les terrasses, les balcons et les patios.

Le boîtier du radiateur par rayonnement est en aluminium. La grille de protection et les vis sont en acier inoxydable.

### 5. Mode d'emploi



**AVERTISSEMENT: Incendie**

**Ne laissez jamais le radiateur sans surveillance pendant qu'il fonctionne. L'appareil doit être installé sur un interrupteur avec minuterie. Débranchez les modèles 120 V ou coupez le ou les disjoncteurs des modèles 240 V lorsqu'ils ne sont pas utilisés.**

#### 5.1 Démarrage du radiateur

» Pour les modèles 120 V, branchez l'appareil dans la prise électrique avec mise à la terre connectée à un interrupteur à minuterie. Programmez l'interrupteur avec minuterie pour la durée de fonctionnement désirée.

» Pour les modèles 240 V, activez le ou les disjoncteurs auxquels l'appareil est connecté. Programmez l'interrupteur avec minuterie pour la durée de fonctionnement désirée.

#### 5.2 Désactivation du radiateur

» Pour les modèles 120 V, désactivez l'interrupteur avec minuterie et débranchez le cordon d'alimentation de l'appareil de la prise murale.

» Pour les modèles 240 V, désactivez l'appareil au niveau de l'interrupteur avec minuterie et coupez le courant au niveau du panneau du disjoncteur.

### 6. Nettoyage, soin et entretien



**Avant de nettoyer, veillez à ce que l'appareil ait été désactivé au panneau du disjoncteur ou débranché de la prise murale et que l'élément chauffant de l'appareil soit froid. Veillez à ce que l'alimentation soit coupée pendant toute l'installation. Le non-respect de cette directive pourrait entraîner des brûlures, l'électrocution, des blessures graves, voire mortelles.**

#### 6.1 Entretien

» Inspectez le radiateur et le cordon avant chaque usage.

» Nettoyez toute trace de poussière ou de saleté des surfaces, en particulier au niveau du réflecteur et des admissions d'air sur le boîtier de l'appareil (voir «6.2 Nettoyage», p. 40).

» Inspectez le cordon électrique et la fiche pour détecter toute trace de dommage ou d'effilochage :

– N'utilisez pas d'appareil dont le cordon ou la fiche seraient endommagés.

– Faites remplacer les pièces endommagées par un électricien qualifié.

» Toute pièce ou tout élément endommagés doivent être réparés ou remplacés avant usage.

#### 6.2 Nettoyage



**ATTENTION: Incendie**

**Ne vaporisez jamais de produit nettoyant sur le réflecteur ou les admissions.**

**Veillez à ce qu'aucune trace d'humidité ne pénètre dans l'appareil.**

– Avant de nettoyer l'appareil, débranchez-le de l'alimentation et laissez-le refroidir.

– Ne touchez pas la lampe chauffante avec les doigts - la graisse présente sur la peau pourrait endommager la lampe.

– Pour nettoyer la surface, le réflecteur et les admissions d'air de l'appareil : Utilisez uniquement un chiffon sec ou humide ou un jet d'air à basse pression (aérosol de gaz dépoussiérant pour ordinateur).

– N'utilisez pas d'agent de nettoyage caustique ou abrasif.

– N'immergez jamais l'appareil dans de l'eau! Cela pourrait être fatal!



- Si un radiateur entre en contact avec de l'eau autrement que dans le cadre normal d'un usage à l'extérieur, demandez à un électricien agréé de l'inspecter et de le réparer avant de recommencer à l'utiliser.
- Nous vous conseillons aussi de faire inspecter les éléments de commande dans le cadre d'un entretien de routine. Les éléments de sécurité et de commande doivent être examinés par un entrepreneur dans les premiers dix ans de mise en service.

## 7. Sécurité

Seuls les entrepreneurs qualifiés peuvent exécuter l'installation, la mise en service, l'entretien et la réparation de l'appareil.

### 7.1 Généralités relatives à la sécurité

Nous garantissons que l'appareil fonctionnera sans problème et de manière fiable uniquement si les accessoires d'origine et les pièces après-vente d'origine ont été utilisés.



#### DANGER: Électrocution

Si vous fixez l'appareil au mur, faites en sorte que l'équipement de commande ne puisse pas être touché par une personne se trouvant dans la baignoire ou dans la douche.



#### ATTENTION:

- Respectez les distances minimales vis-à-vis des surfaces des objets adjacents (pour les distances minimales, voir «9.5 Distances minimales», p. 43).
- N'installez jamais l'appareil directement sous une prise murale.
- Veillez à ce que le câble ne touche aucun composant de l'appareil.

### 7.2 Directives, normes et règlements



REMARQUE: Respectez tous les règlements et directives nationaux et régionaux en vigueur.

## 8. Description de l'appareil

### 8.1 Livraison normale

- Radiateur
- Support mural avec vis de fixation, rondelles-frein et écrou compris

# INSTALLATION

## 9. Installation

### 9.1 Considérations et directives pour la conception du projet



REMARQUE: Tous les radiateurs à infrarouge CIR doivent être installés sur une minuterie ou un interrupteur avec minuterie.



REMARQUE: Consultez la section «9.5 Distances minimales», p. 43 pour aux distances minimales nécessaires.

La taille et le nombre de radiateurs (quantité de chaleur produite) nécessaires dans un espace particulier pour obtenir une température confortable dépendent des critères suivants :

#### 9.1.1 Généralités :

- Volume du courant d'air dans cet espace : « le refroidissement éolien » exige un surcroît de chaleur
- Mettez sur pied des protections contre le vent partout où c'est faisable
- Le confort du « chauffage localisé » est plus efficace si la chaleur vient d'au moins deux côtés des personnes
- Hauteur de fixation disponible pour les radiateurs sur le site du projet

#### 9.1.2 En intérieur :

- Chauffez de manière localisée » tout l'espace (calcul exact des pertes de chaleur obligatoire. Pour plus d'aide, contactez Stiebel Eltron en composant le 800-582-8423 ou par courriel à [info@stiebel-eltron-usa.com](mailto:info@stiebel-eltron-usa.com))
- Ne chauffez de manière localisée » qu'une section d'un espace intérieur froid

- Le niveau d'activité des personnes : assises au repos, travail physique intense, etc.

#### 9.1.3 En extérieur :



REMARQUE: LE MODÈLE « CIR 150-1 I » EST PRÉVU POUR USAGE INTÉRIEUR UNIQUEMENT!

- Tout espace chauffé à l'extérieur est défini comme un « chauffage localisé »
- Les modèles « CIR 150-1 O », « CIR 200-2 O » et « CIR 400-2 O » peuvent être utilisés à l'extérieur ou à l'intérieur
- » Augmentation de température désirée :
  - Pour quelle saison recherche-t-on ce confort et quelle est la température de l'extérieur?
  - Puis, quelle augmentation de température désire-t-on pour atteindre un certain confort? (10 °, 15 °, 20 °, 25 °?)
- » Calculez l'apport énergétique requis pour obtenir l'augmentation moyenne de température désirée :

### Apport requis par zone par degré d'augmentation de température pour être confortable

	Densité thermique par degré F W/(pi²)/°F	Densité thermique par degré C W/(m²)/°C
Chauffage à l'extérieur (avec vent allant jusqu'à 10 mi/h)	2	40
Chauffage localisé à l'intérieur (espace protégé, peu de courants d'air)	0.75	14

» Formule d'apport = Longueur du site x Largeur du site x Augmentation de température x Densité thermique par degré

Exemple :

- Patio extérieur : 30 pi de long sur 10 pi de large
- Augmentation de température désirée : 20 °F (moyenne sur toute la zone en question)
- $30 \times 10 \times 20 \times 2 = 12\ 000$  Watts (apport total requis)

Comparez les valeurs de la hauteur de fixation disponible et les dimensions du site du projet aux hauteurs de fixation recommandées, à la longueur et largeur de l'espace couvert et la distribution de chaleur type moyenne dans la section «9.1 Considérations et directives pour la conception du projet», p. 41.

Agencement :

- Espacez les radiateurs régulièrement autour du périmètre (et, si nécessaire, au centre et partout dans l'espace en question) pour que la densité thermique soit suffisante pour obtenir l'augmentation de température désirée ou pour chauffer de manière localisée les endroits spécifiques dans cette enceinte.
- Faites en sorte que la chaleur provienne d'au moins deux côtés lorsque c'est possible



**REMARQUE:** Les renseignements relatifs à la conception du projet présentés ici ne sont fournis qu'à titre indicatif. La précision du calcul ou de l'estimation de tous les facteurs énumérés ci-dessus impactera sur la performance et la satisfaction. Le courant d'air, en particulier, aura un impact sur le confort des personnes présentes.

## 9.2 Généralités relatives à l'installation



**REMARQUE:** Lisez toutes les directives et planifiez l'installation avant de continuer.

Cet appareil est conforme aux normes ANSI/UL 1278 ou 2021 et est certifié pour la norme CAN/CSA C22.2 N° 46.

Le modèle CIR 150-1 I est approuvé pour usage intérieur uniquement. N'utilisez pas ce radiateur dans des pièces comme des salles de bain ou des buanderies. Le radiateur est fourni avec un cordon de 2.4 m (8 pi) avec une fiche à trois broches qui doit être connectée à une prise 115-120 V correctement mise à la terre sur un circuit d'alimentation électrique de cuivre commandé par un interrupteur avec une minuterie.

Les modèles CIR 150-2 O, CIR 200-2 O et CIR 400-2 O sont approuvés pour usage à l'extérieur et à l'intérieur. N'utilisez pas ces radiateurs dans des pièces comme des salles de bain ou des buanderies. Ces modèles doivent être connectés à un ou des circuits d'alimentation électrique en cuivre de 240 V correctement mis à la terre commandés par un interrupteur avec une minuterie. L'installation doit être conforme à la dernière version du code

électrique ANSI/NFPA No. 70 aux États-Unis et PART 1 CSA C22.1 au Canada.

Un support de fixation adapté à une installation sur un mur ou sur un poteau est fourni avec le radiateur. Le radiateur doit être fixé à ce support lorsqu'il fonctionne. Le matériel de fixation pour fixer le support à la structure est fonction des conditions du site et est fourni sur le chantier par l'installateur.



#### AVERTISSEMENT: Incendie

Lorsque vous installez les modèles CIR 150-1 I ou CIR 150-1 O, évitez d'utiliser une rallonge car celle-ci pourrait surchauffer et provoquer un incendie. Toutefois, si vous devez avoir recours à une rallonge, faites en sorte qu'il s'agisse d'une rallonge de calibre minimum No. 14 AWG et de régime nominal minimal de 1875 Watts.



#### AVERTISSEMENT: Incendie

Maintenez toujours une distance minimale par rapport au sol, au plafond, aux cloisons latérales et aux matériaux combustibles. Consultez la section «9.5 Distances minimales», p. 43.

## 9.3 Emplacement du radiateur



#### AVERTISSEMENT:

L'usage de ce radiateur dans des zones côtières à air salin peut entraîner une corrosion du boîtier et du réflecteur en aluminium et une défaillance prématurée de la lampe chauffante. Les corrosion et défaillance découlant de l'usage en zones côtières ne sont pas couvertes par la garantie.

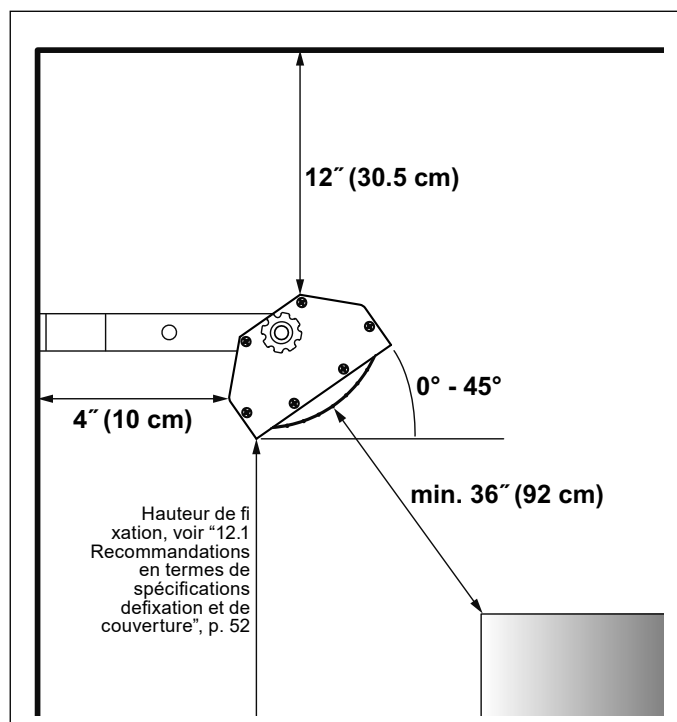
- 1 Le radiateur est conçu pour être fixé au mural ou à un poteau. Il doit être installé à une certaine hauteur minimale au-dessus du sol. Cf. section 9.2 pour plus de détails.
- 2 Veillez à ce que les distances minimales depuis le radiateur satisfont ou dépassent les exigences minimales stipulées dans la section 10.5 ci-dessous : Au-dessus; sol; cloison latérale; et matériaux combustibles.
- 3 Les modèles CIR 150-1 I et CIR 150-1 O doivent être branchés à une prise 120 V bien mise à la terre commandée par un interrupteur à minuterie. Veillez à ce que la prise électrique soit facile d'accès pour pouvoir déconnecter le radiateur le cas échéant.  
Les modèles CIR 200-2 doivent être connectés à un circuit d'alimentation électrique en cuivre de 240 V correctement mis à la terre commandé par un interrupteur avec une minuterie.  
Le modèle CIR 400-2 doit être connecté à deux (2) circuits d'alimentation électrique en cuivre de 240 V indépendants mis à la terre commandés par un interrupteur avec une minuterie.
- 4 Le radiateur ne doit jamais être posé, ni monté directement sous une prise murale.
- 5 Il faut conserver une distance minimale de 92 cm (3 pi) entre la grille frontale et les objets inflammables (comme p.ex. des rideaux), les murs et autres structures.
- 6 Ne laissez pas de cordon électrique passer devant le radiateur ou en contact avec des surfaces chaudes.

- 7 Comme cet appareil produit de la chaleur, il ne faut placer aucun obstacle ni objet comme des meubles entre le radiateur et la personne qui bénéficie de la chaleur.
- 8 N'utilisez pas le radiateur sur une surface molle, comme un lit, où les ouvertures pourraient être bloquées.
- 9 Un radiateur possède des surfaces chaudes et des pièces intérieurs qui pourraient produire des arcs ou des étincelles. N'utilisez pas dans les espaces où l'on utilise ou entrepose l'essence, la peinture ou des vapeurs inflammables.

### 9.4 Fixation du radiateur

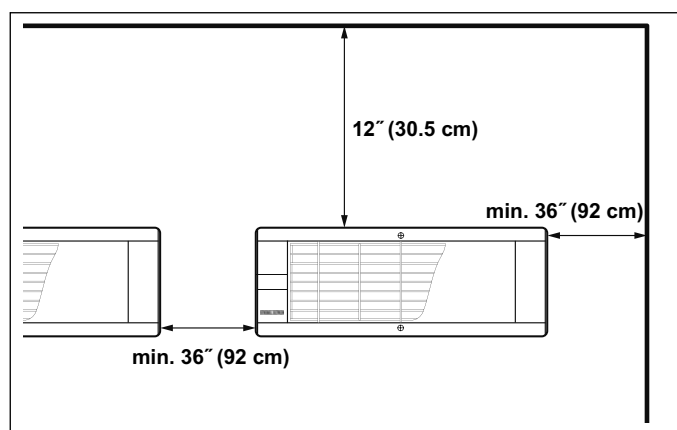
- 1 Fixez le radiateur de manière sécuritaire sur une surface ou un élément de structure et respectez au moins toutes les distances minimales indiquées à la section "9.5 Distances minimales", p. 43.
- 2 Utilisez le support de fixation fourni avec le radiateur - cf. schémas ci-après, à la section "9.5 Distances minimales", p. 43.
- 3 Le matériel pour fixer le support de fixation à la structure sera fourni sur le chantier par l'installateur car il dépendra des conditions du site.
- 4 Les modèles CIR 150-1 I et CIR 150-1 O : Si c'est possible, posez le support de fixation de telle sorte que le cordon (2.4 m [8 pi]) puisse être branché dans une prise (mise à la terre 120 V) sans être trop tendu.
- 5 Ne laissez jamais un cordon électrique passer devant le radiateur ou entrer en contact avec des surfaces chaudes du radiateur.
- 6 Le support de fixation se fixe à la structure à l'aide de boulons ou de vis de compression fournis sur le chantier vissés dans les deux trous sur l'un des côtés du support. Le support du radiateur se fixe au support de fixation par le trou le plus vers l'extérieur de l'autre partie du support de fixation avec le boulon, la rondelle-frein et l'écrou fournis.
- 7 Fixez le support de fixation de niveau de sorte que le radiateur soit horizontal sur son long axe.
- 8 Veillez à ce que le support de fixation soit bien fixé à la structure avec les boulons ou vis de compression (fournis sur chantier) de résistance et d'intégrité suffisantes pour soutenir le poids de l'appareil et empêcher qu'il ne bouge. Il est conseillé de fixer le support de fixation à un élément de structure (poteau de mur, etc.).

### 9.5 Distances minimales



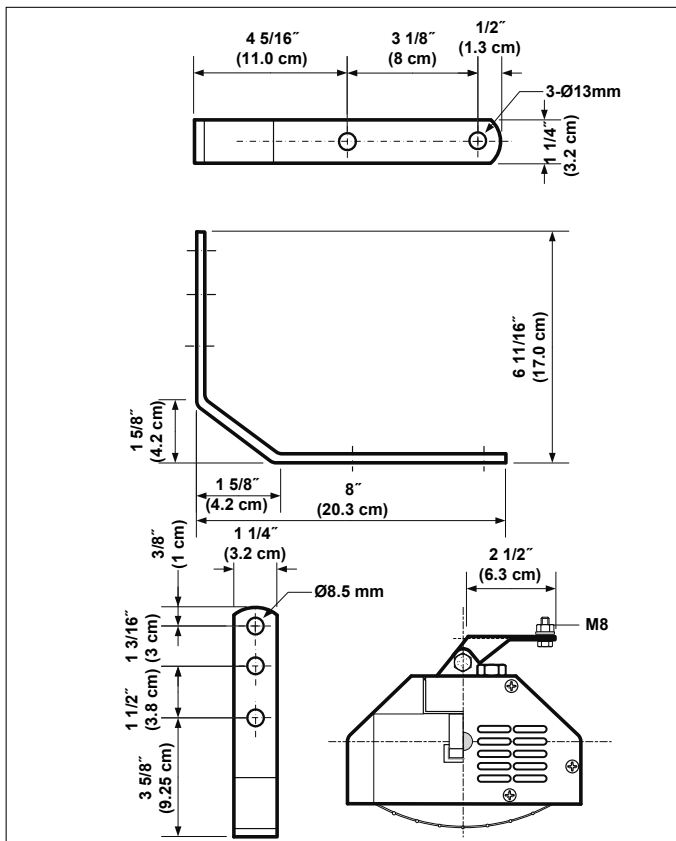
Ne mettez rien à moins de 92 cm (3 pi) devant ou sous le radiateur.

Fixez les supports à un élément de structure (ou un support de résistance et d'intégrité équivalentes) sur un mur ou une surface non-combustible.

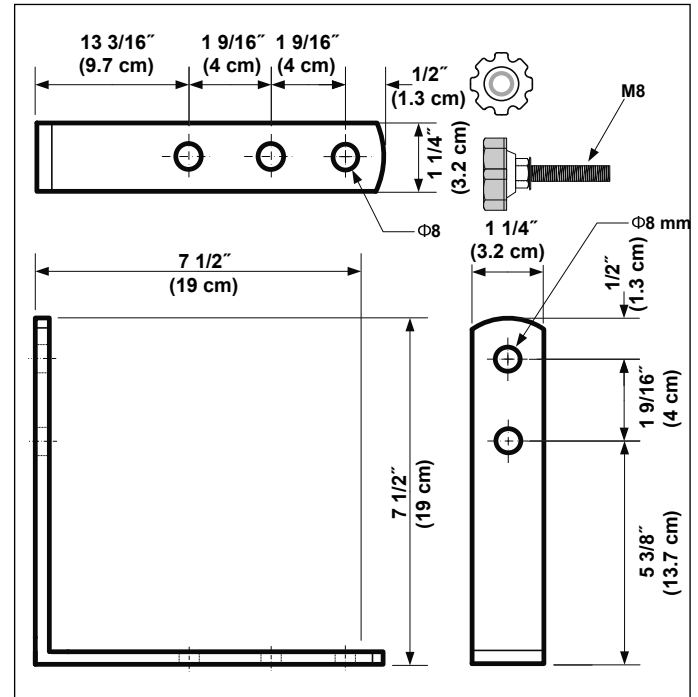


# INSTALLATION INSTALLATION

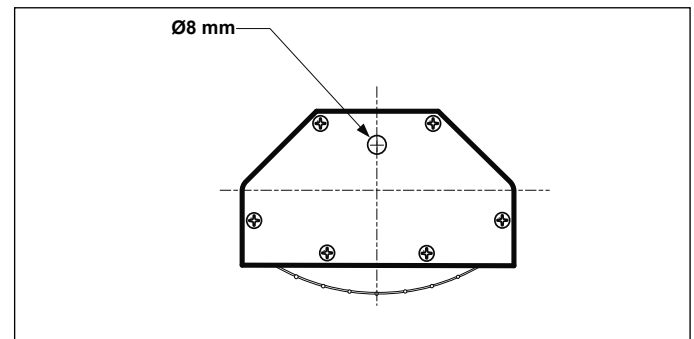
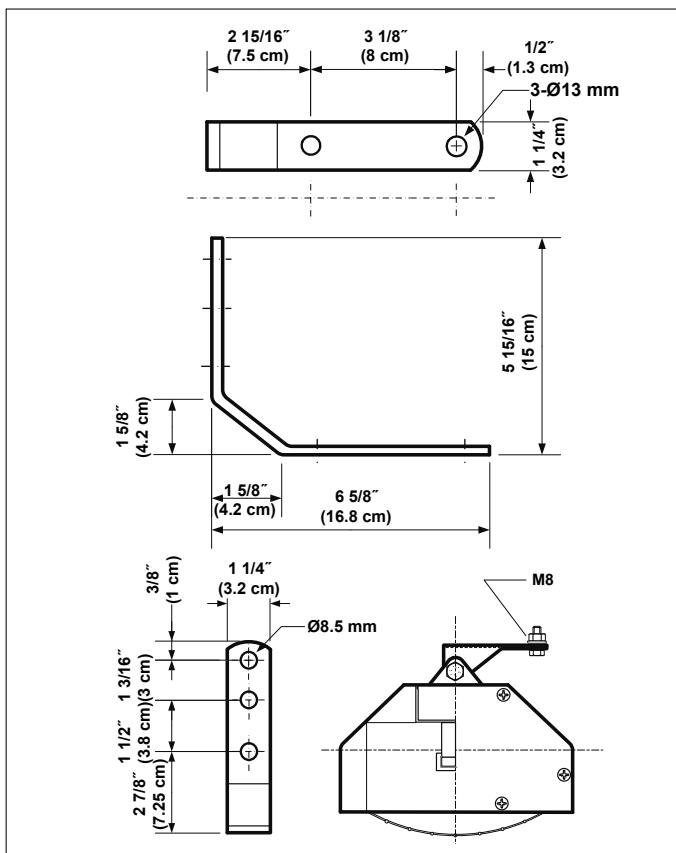
## Support de fixation pour les CIR 150-1 I y CIR 150-1 O



## Support de fixation pour le CIR 400-2 O



## Support de fixation pour le CIR 200-2 O



- 1 Fixez le support du radiateur au support de fixation (trou le plus vers l'extérieur) avec le boulon, la rondelle-frein et l'écrou fournis. Serrez bien.
- 2 Le support fixé au-dessus du radiateur permet de le tourner de 45 ° sur l'axe court en desserrant le boulon de fixation.
- 3 Une fois que la position du radiateur a été trouvée, serrez tous les écrous et boulons des supports de fixation et de radiateur pour que celui-ci reste stable et sécuritaire.
- 4 Lisez et respectez tous les avertissements, ainsi que la section suivante sur le mode d'emploi pour une utilisation sécuritaire du radiateur.

## 9.6 Configuration électrique



### DANGER: Électrocution

Exécutez tous les branchements électriques et travaux d'installation conformément à tous les codes de la construction en vigueur.



### DANGER: Électrocution

Tous les radiateurs 240 V doivent être câblés directement à un circuit avec un interrupteur avec minuterie et un disjoncteur et un câble de bon calibre.



**DANGER: Électrocution**  
Ne branchez pas les modèles CIR 200-2 O ou CIR 400-2 O dans une prise murale.



**REMARQUE: La tension spécifiée sur la plaque signalétique doit correspondre à la tension du panneau de disjoncteur.**

La connexion électrique doit être exécutée par un électricien agréé. L'installation doit être conforme à la dernière version du code électrique ANSI/NFPA No. 70 aux États-Unis et PART 1 CSA C22.1 au Canada.

### 9.6.1 CIR 150-1 I et CIR 150-1 O

Branchez le radiateur dans une prise murale bien mise à la terre connectée à un circuit avec câble en cuivre 120 V, 60Hz, 20 A correctement mis à la terre et commandé par un interrupteur avec minuterie.

### 9.6.2 CIR 200-2 O

Branchez le radiateur, à l'aide d'un câble en cuivre de 12 AWG, à un disjoncteur 240 V, 60Hz, 15 A correctement mis à la terre et commandé par un interrupteur avec minuterie.

### 9.6.3 CIR 400-2 O

Branchez le radiateur, à l'aide d'un fil de cuivre de 12 AWG, à un interrupteur avec minuteur à deux disjoncteurs 240 V, 60Hz, 15 A indépendants correctement mis à la terre.

## 9.7 Remplacement de la lampe chauffante



**AVERTISSEMENT**  
Seul un électricien qualifié est autorisé à effectuer les réparations sur ce radiateur. Le non-respect de cette directive pourrait entraîner des blessures graves, voire mortelles, un incendie et/ou des dégâts matériels. L'altération du radiateur par une personne non qualifiée annulera la garantie.



**ADVERTISSEMENT:**  
Avant d'effectuer des réparations, veillez à ce que l'appareil ait été désactivé au panneau du disjoncteur ou débranché de la prise murale et que l'élément chauffant de l'appareil soit froid. Veillez à ce que l'alimentation soit coupée tout le temps de la réparation. Le non-respect de cette directive pourrait entraîner des brûlures, l'électrocution, des blessures graves, voire mortelles.



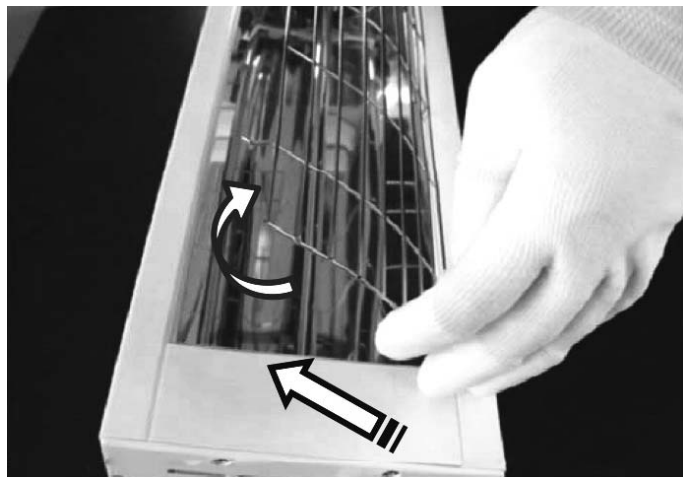
**ATTENTION:**  
Portez toujours des gants en tissu ou en coton lorsque vous remplacez la lampe chauffante. Ne touchez pas la surface de la lampe avec vos mains nues. La graisse présente sur la peau va endommager la lampe.

Il faut démonter un peu le radiateur pour accéder aux branchements électrique lorsque vous remplacez la lampe.

Utilisez un récipient pour récupérer toutes les pièces démontées et les vis.

### 9.7.1 Remplacement de la lampe chauffante - CIR 150-1 I

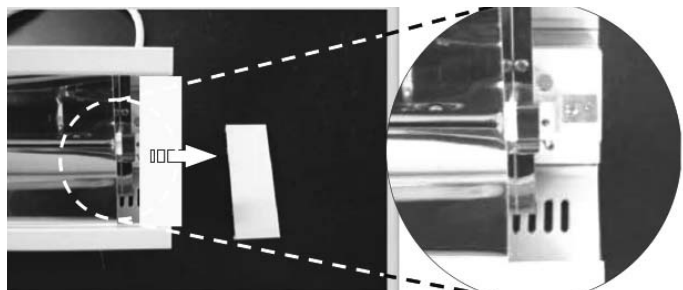
- 1 Comprimez la largeur de la grille de protection pour enlever les languettes en métal de sous l'un des rebords du boîtier du radiateur.
  - » Faites tourner le rebord dégagé de la grille vers le haut pour l'éloigner du boîtier du radiateur.
  - » Tirez la grille du radiateur et dégagez-la de l'autre rebord du boîtier du radiateur - mettez la grille de sécurité dans un endroit où elle ne risque rien :



- 2 Retirez le couvercle aux deux extrémités du radiateur. Six (6) vis Phillips maintiennent le couvercle en place. Retirez les vis et mettez-les dans un endroit où vous ne risquez pas de les perdre:

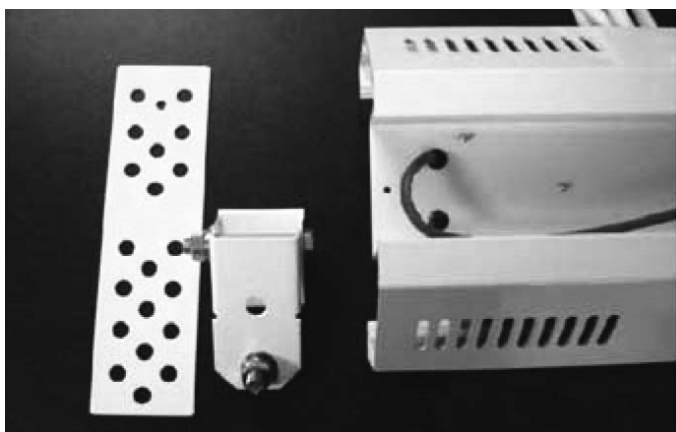
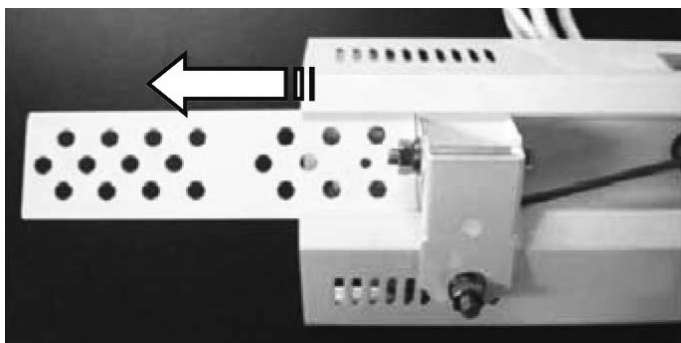


- 3 Faites glisser la plaque frontale à chaque extrémité du radiateur pour exposer les deux extrémités de la lampe chauffante:

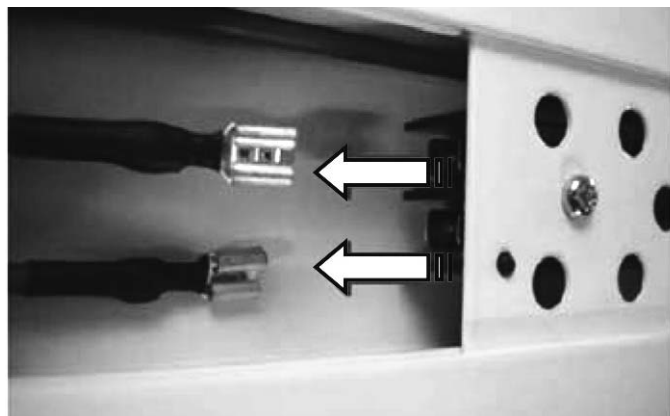


- 4 Mettez le radiateur par terre, sur son devant, et faites glisser la plaque centrale et le support de fixation du radiateur pour les retirer du radiateur :

## INSTALLATION INSTALLATION



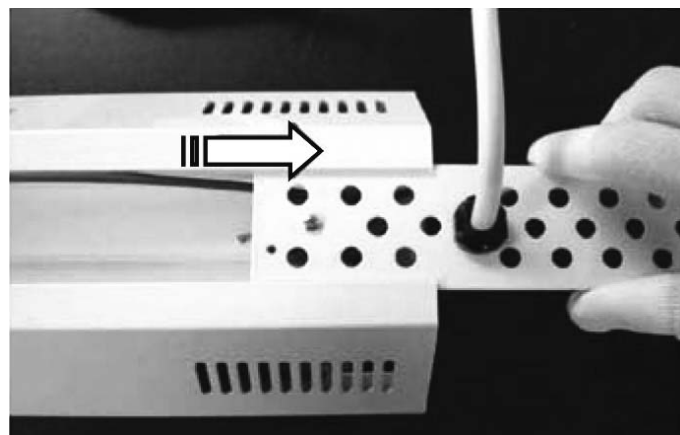
5 Déconnectez les cosses rectangulaires du cordon d'alimentation des borniers :



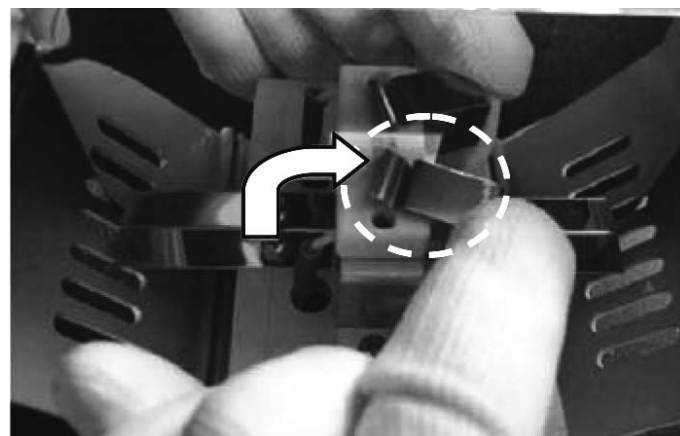
6 Déconnectez le fil de mise à la terre (cordon d'alimentation) du boîtier du radiateur en retirant la vis d'ancrage du centre du bornier de mise à la terre :



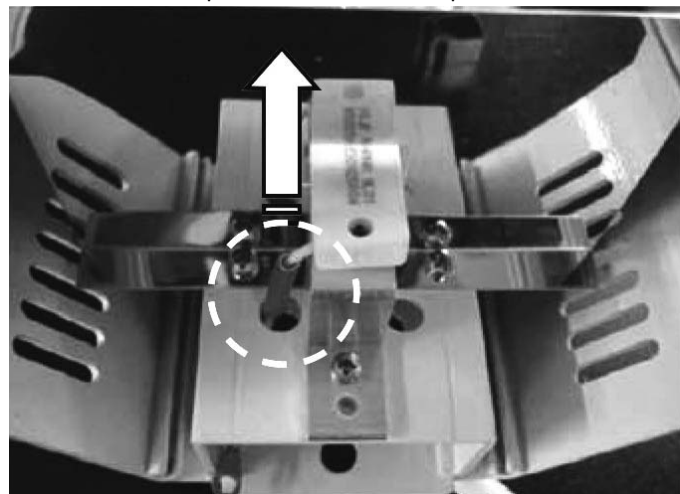
7 Faites glisser la plaque de retenue du cordon pour la sortir du boîtier :



8 Retournez le radiateur avec le devant dirigé vers le haut. Chaque extrémité de la lampe est dotée d'un bloc de retenue rectangulaire. Retirez les pinces en acier inoxydable qui fixent les blocs de retenue à chaque extrémité de la lampe :

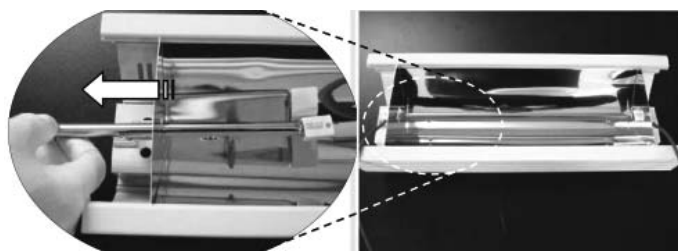


9 Retirez les fils de la lampe pour les sortir du boîtier du radiateur à chaque extrémité de la lampe :



10 Diapositive de la lampe à travers la plaque de réflecteur d'extrémité. Correctement et l'élimination sécuritaire de la lampe :

# INSTALLATION INSTALLATION

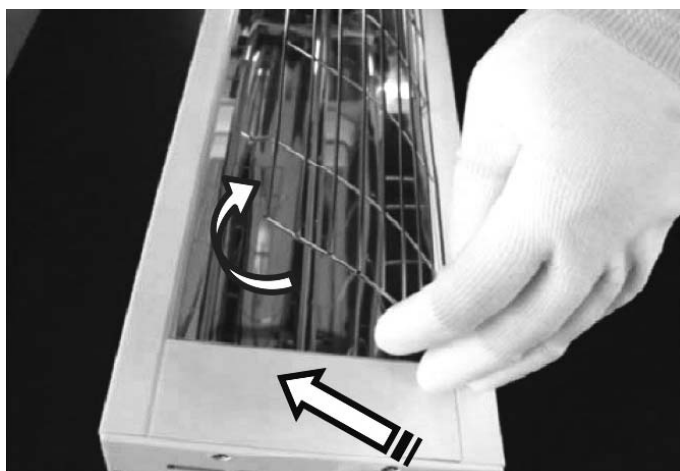


11 La lampe chauffante est fragile - à manipuler avec précaution! Portez des gants. Ne touchez pas la lampe avec les doigts nus! La graisse présente sur la peau va endommager la lampe.

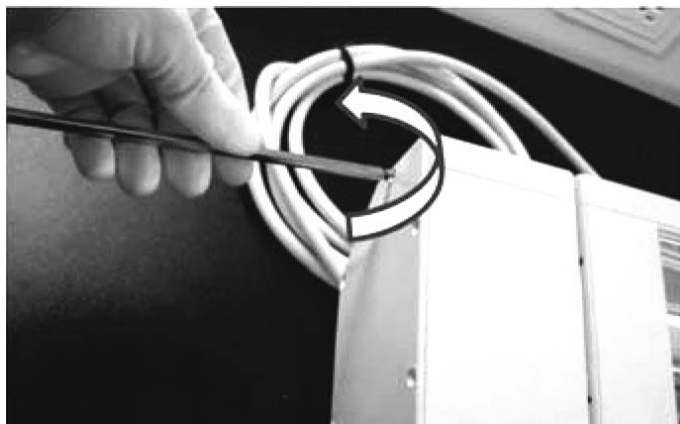
- » Installez la nouvelle lampe de rechange.
- » Réassemblez le radiateur en suivant les étapes ci-dessous à l'envers.

## 9.7.2 Remplacement de la lampe chauffante - CIR 150-1 O et CIR 200-2 O

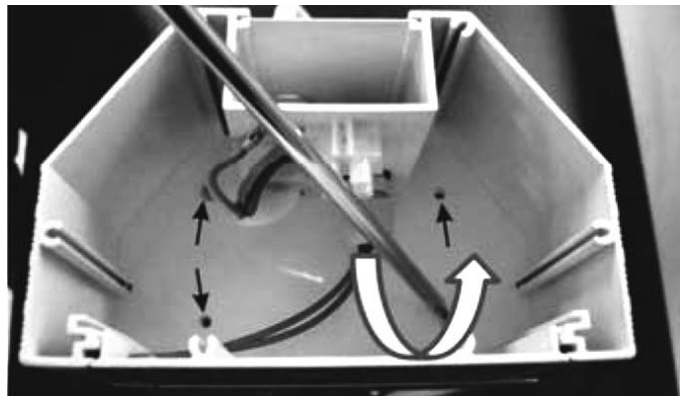
- 1 Comprimez la largeur de la grille de protection pour enlever les languettes en métal de sous l'un des rebords du boîtier du radiateur.
  - » Faites tourner le rebord dégagé de la grille vers le haut pour l'éloigner du boîtier du radiateur.
  - » Tirez la grille du radiateur pour la dégager de l'autre rebord du boîtier du radiateur - mettez la grille de sécurité dans un endroit où elle ne risque rien :



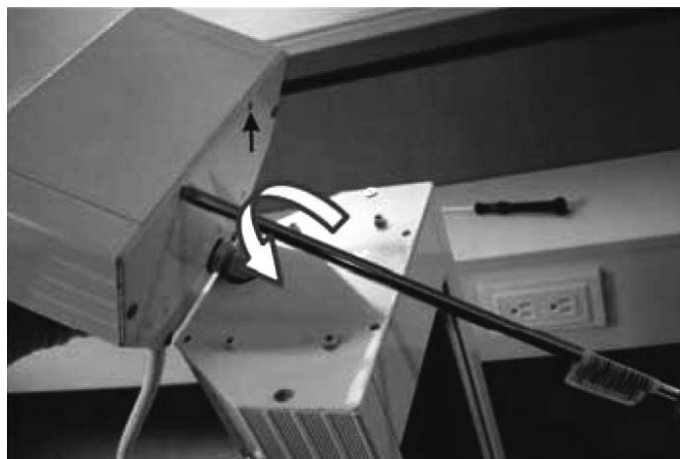
- 2 Retirez le couvercle de la boîte de connexion. Six (6) vis Phillips maintiennent le couvercle en place. Retirez les vis et mettez-les dans un endroit où vous ne risquez pas de les perdre :



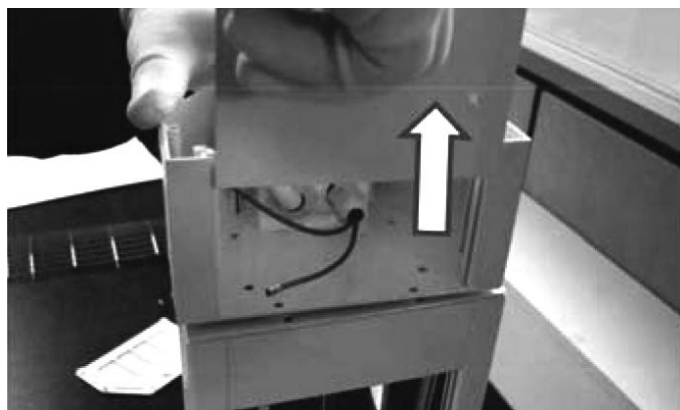
- 3 Retirez le couvercle de la boîte de connexion. Six (6) vis Phillips maintiennent le couvercle en place. Retirez les vis et mettez-les dans un endroit où vous ne risquez pas de les perdre :



- 4 Retirez les deux vis Phillips qui maintiennent la plaque frontale de la boîte de jonction en place :

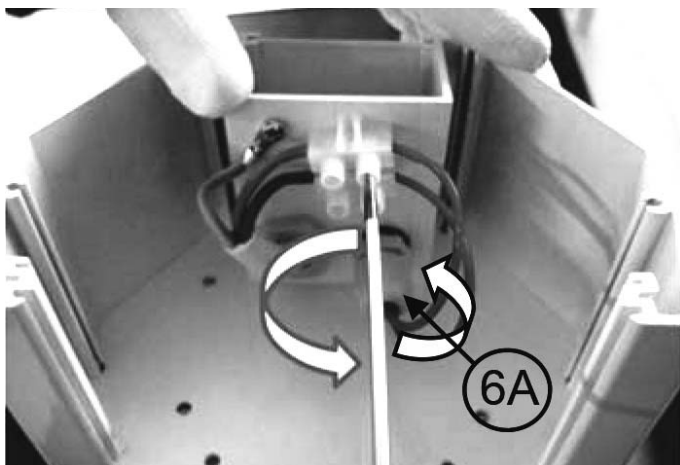


- 5 Déconnectez les cosses rectangulaires du cordon d'alimentation des borniers :

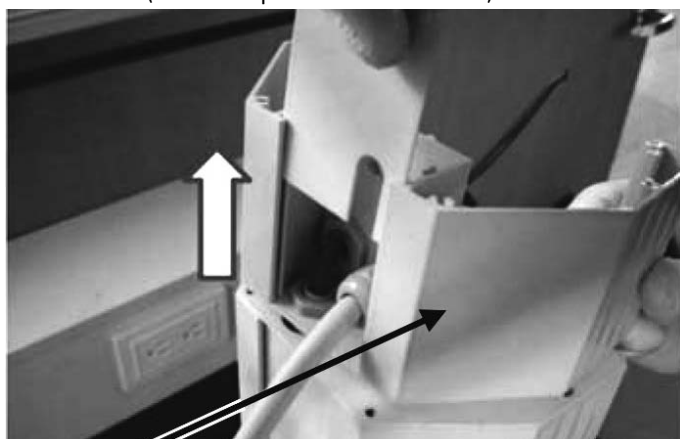


- 6 Desserrez les deux vis du bornier qui connectent les fils de la lampe chauffante rouges en place. Retirez les extrémités des fils rouge du bornier. Desserrez le collier en plastique sur le connecteur étanche qui fixe les fils rouges à la boîte de jonction :

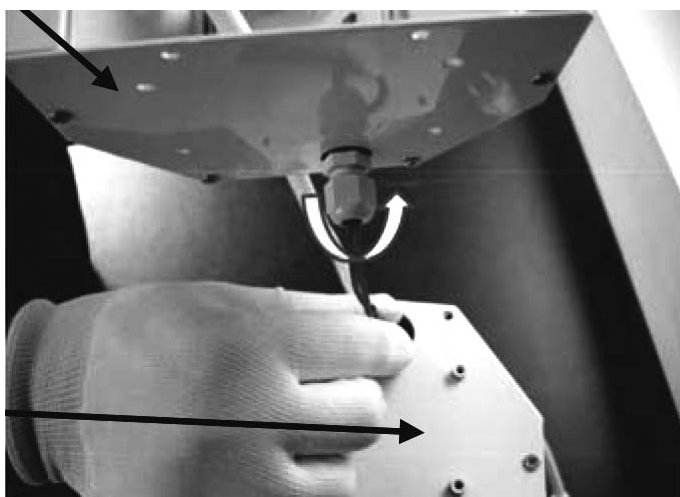
## INSTALLATION INSTALLATION



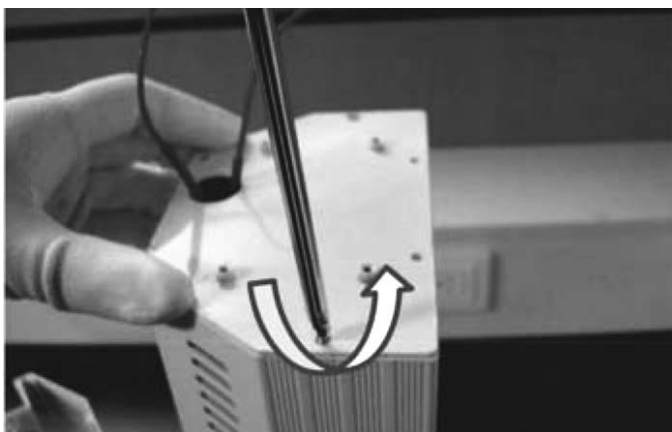
7 Faites glisser la plaque de retenue du cordon pour la sortir du boîtier (surface supérieure du radiateur) :



8 Desserrez le collier en plastique sur le deuxième connecteur étanche qui fixe les fils rouges par la plaque d'extrémité de la boîte de jonction.  
» Faites glisser les fils rouges pour les sortir de la boîte de jonction.  
» Posez la boîte de jonction de côté :



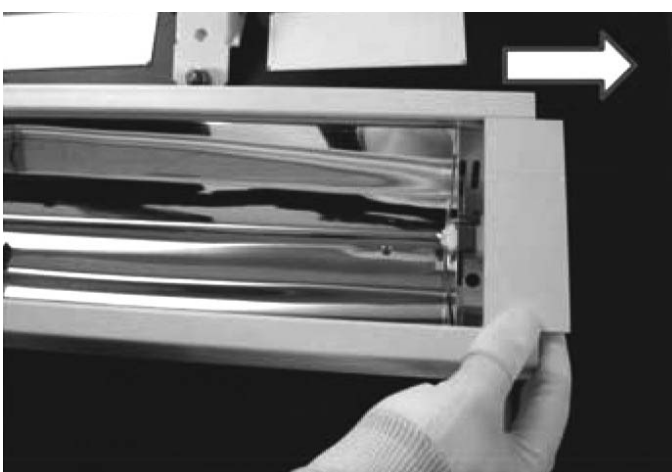
9 Retirez la plaque d'extrémité du radiateur : Six (6) vis Phillips maintiennent la plaque d'extrémité du t en place :



10 Faites glisser les plaques et le support de fixation du radiateur par le côté supérieur du radiateur. Retirez la plaque d'extrémité restante de l'autre extrémité du radiateur :

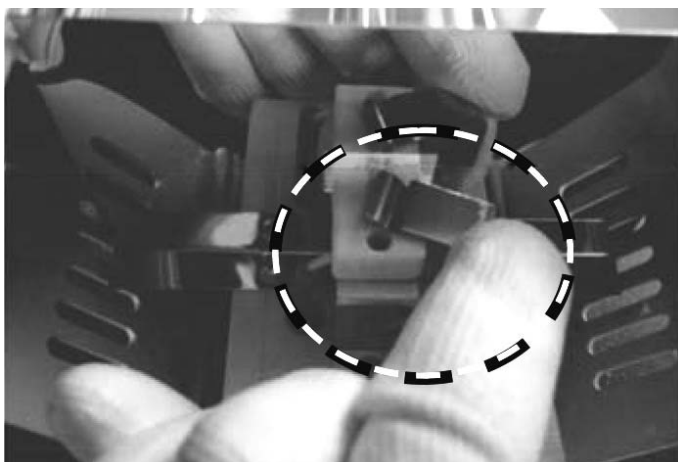


11 Faites glisser la plaque frontale de chaque extrémité du radiateur :

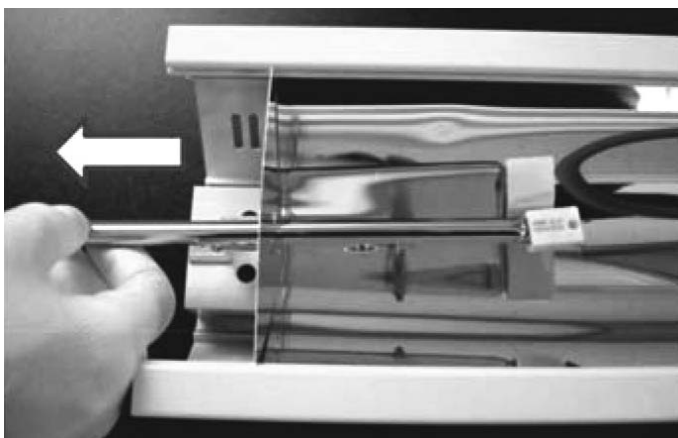


12 Retirez la pince de retenue de la lampe chauffante de chaque extrémité de la lampe :





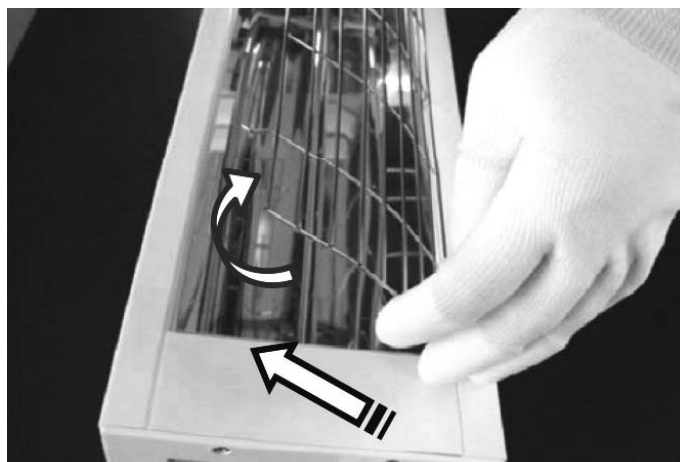
13 La lampe chauffante est fragile! Faites glisser délicatement la lampe chauffante à remplacer par la fente rectangulaire à l'extrémité du réflecteur :



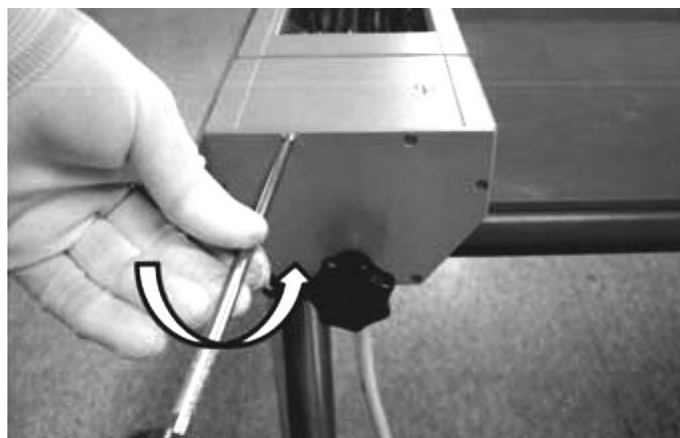
- » Installez délicatement la nouvelle lampe chauffante puis enclenchez-la en place.
- » Suivez les étapes ci-dessus en ordre inverse pour remonter le radiateur.

### 9.7.3 Remplacement de la lampe chauffante - CIR 400-2 0

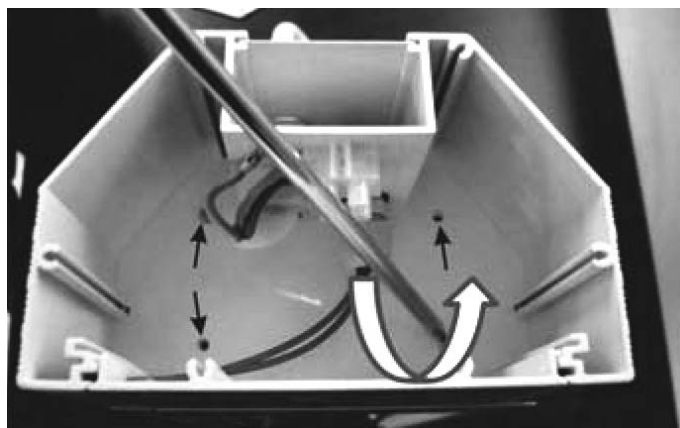
- 1 Comprimez la largeur de la grille de protection pour enlever les languettes en métal de sous l'un des rebords du boîtier du radiateur.
  - » Faites tourner le rebord dégagé de la grille vers le haut pour l'éloigner du boîtier du radiateur.
  - » Tirez la grille du radiateur pour la dégager de l'autre rebord du boîtier du radiateur - mettez la grille de sécurité dans un endroit où elle ne risque rien.
  - » Répétez les étapes de retrait de la grille pour l'autre lampe, le cas échéant :



2 Retirez la plaque d'extrémité du radiateur : Six (6) vis Phillips maintiennent la plaque d'extrémité du boîtier du radiateur en place :

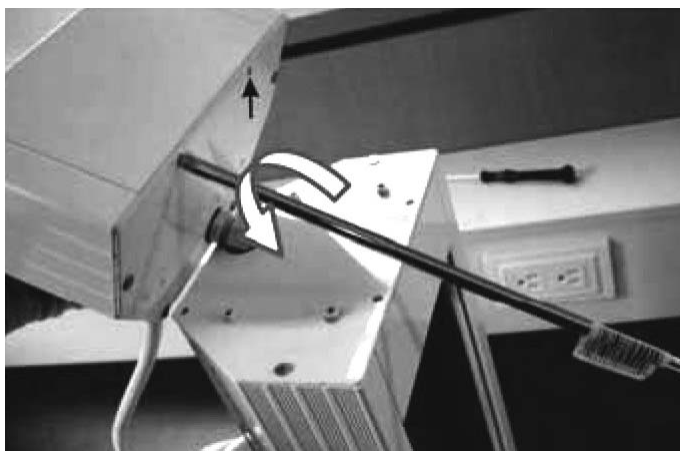


3 Retirez les quatre vis Phillips qui maintiennent la boîte de jonction au radiateur :

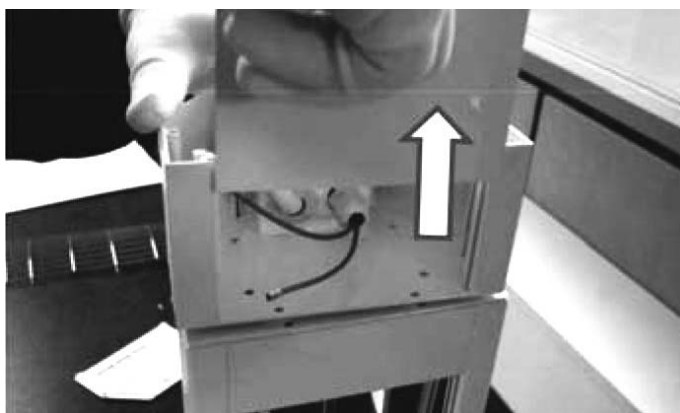


4 Retirez les deux vis Phillips qui maintiennent la plaque frontale de la boîte de jonction en place :

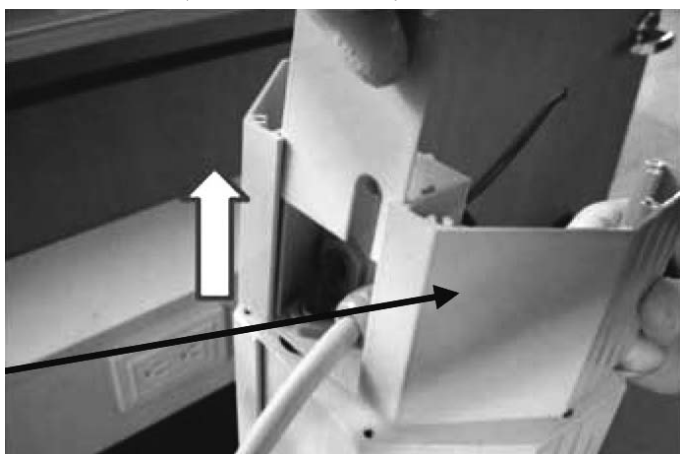
## INSTALLATION INSTALLATION



5 Faites glisser la plaque frontale de la boîte de jonction pour la sortir de celle-ci :

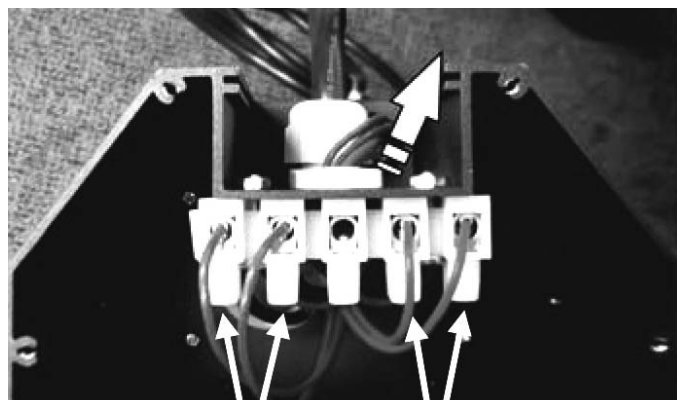


6 Faites glisser la plaque de retenue du cordon pour la sortir de la boîte de jonction (surface supérieure) :



7 Desserrez les vis du bornier pour retirer les fils, le cas échéant :

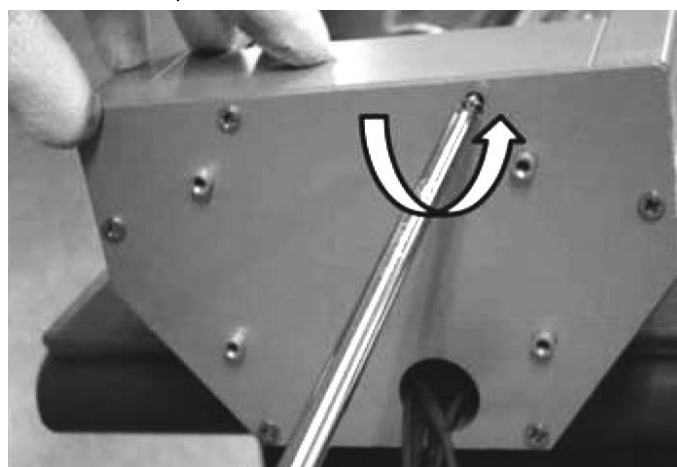
- » Les fils ROUGES connectent à la Lampe No. 1 (le plus près de la boîte de jonction)
- » Les fils BLEUS connectent à la Lampe No. 2 (le plus loin de la boîte de jonction)
- » Ne déconnectez pas les fils d'alimentation
- » Desserrez le collier de serrage fileté sur le connecteur étanche situé derrière le bornier de câblage
- » Faites passer les fils par le connecteur étanche et au-dessus de la boîte de jonction :



8 Faites glisser les fils de la lampe pour les sortir de la boîte de jonction. Posez la boîte de jonction de côté :



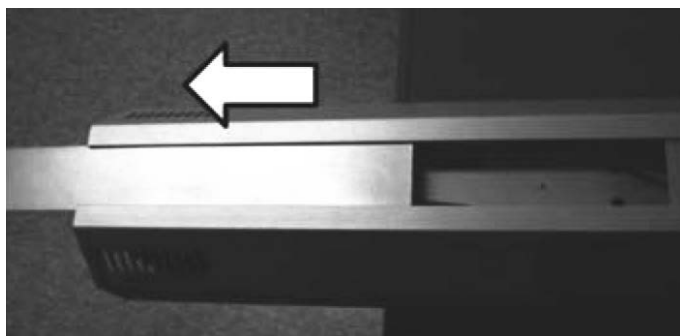
9 Retirez la plaque d'extrémité intérieure du radiateur : Six (6) vis Phillips maintiennent la plaque d'extrémité du boîtier du radiateur en place :



10 Faites glisser les plaques supérieures pour les sortir de chaque extrémité du dessus du radiateur :

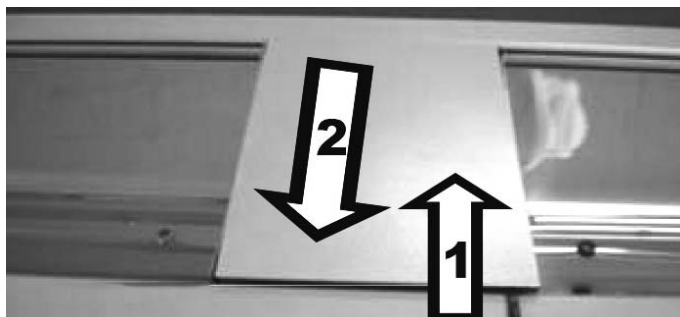
## INSTALLATION

### TRANSFERT DE L'APPAREIL

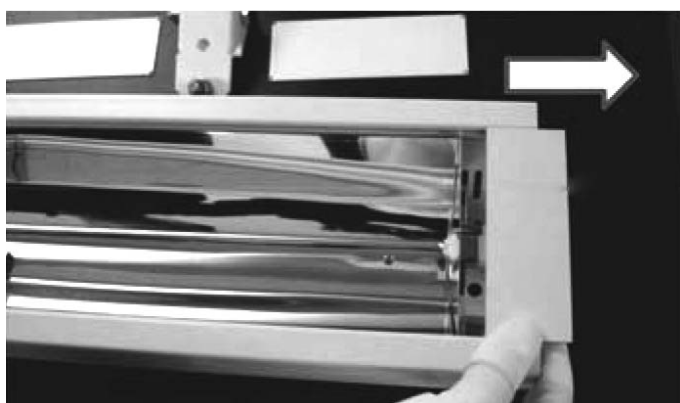


11 Retirez la plaque frontale centrale :

- » Le rebord INFÉRIEUR de la plaque frontale ne présente pas un rebord inférieur.
- » Insérez un tournevis fin entre le boîtier du radiateur et le rebord INFÉRIEUR de la plaque frontale.
- » Dégagez la plaque frontale du boîtier du radiateur, puis mettez-la de côté :

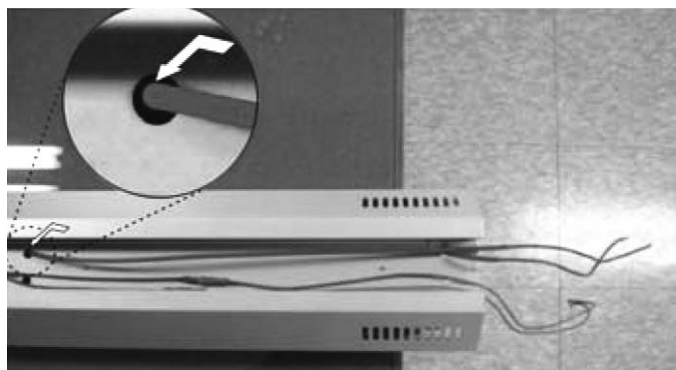


12 Faites glisser les plaques frontales de chaque extrémité du radiateur :



13 Pour cette étape, gardez les pinces de retenue de la lampe chauffante en place à chaque extrémité des lampes. La lampe chauffante est fragile – manipulez avec précaution lorsque vous enfoncez les fils dans les trous.

- » Enfoncez délicatement chaque fil de lampe depuis le haut du radiateur par le trou du boîtier du radiateur pour que le fil se trouve à l'intérieur du boîtier du radiateur (comme la lampe) :



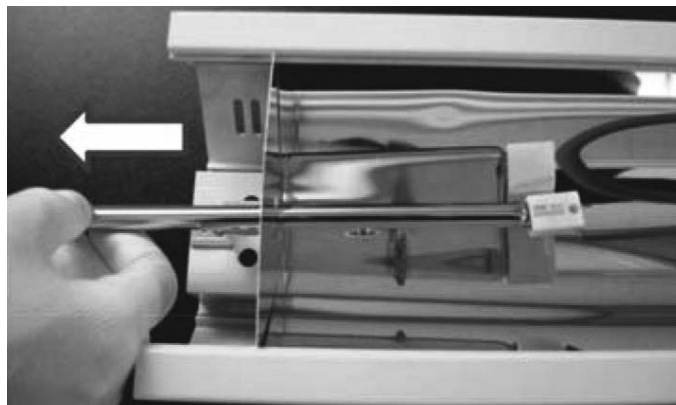
14 Retirez les pinces de retenue de la lampe chauffante des deux extrémités des lampes :

- » Une pince à chaque extrémité du radiateur
- » Deux pinces au centre du radiateur :



15 La lampe chauffante est très fragile - à manipuler et à assembler avec beaucoup de précautions!

- » Faites glisser délicatement la lampe chauffante à remplacer par la fente rectangulaire à l'extrémité du réflecteur.
- » Installez délicatement la nouvelle lampe chauffante puis enclenchez-la en place.
- » Suivez les étapes ci-dessus en ordre inverse pour remonter le radiateur.
- » Faites particulièrement attention de ne pas endommager la lampe aux étapes 14 et 13 :



## 10. Transfert de l'appareil

Expliquez les fonctions de l'appareil à la personne qui va l'utiliser. Attirez en particulier l'attention de votre interlocuteur sur les renseignements relatifs à la sécurité. Remettez le mode d'emploi et les directives d'installation à la personne qui va l'utiliser.

# INSTALLATION QUE FAIRE SI...

## 11. Que faire si...

... l'appareil ne chauffe pas :

- » Pour les modèles 120 V, veillez à ce que l'appareil soit branché dans la prise murale 120 V bien mise à la terre et que l'interrupteur à minuterie soit activé.
- » Pour les modèles 240 V, veillez à ce que l'interrupteur à minuterie soit activé et qu'il y ait suffisamment de courant disponible au disjoncteur et que celui-ci ne s'est pas déclenché. Vérifiez qu'il n'y a pas de disjoncteur défectueux.

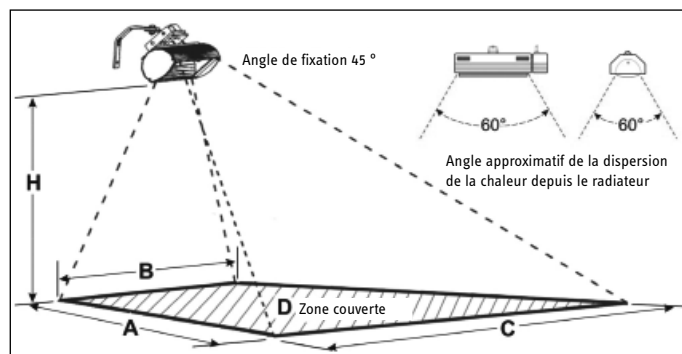
... vous remarquez une odeur :

- » Il est possible qu'une odeur émane de l'appareil pendant une courte période après la première installation ou après une longue période hors service. Ceci est normal et ne devrait pas durer une fois que l'appareil fonctionne régulièrement.

Si vous ne pouvez pas remédier au problème, contactez votre entrepreneur en chauffage. Pour faciliter et accélérer votre requête, veuillez fournir le numéro qui se trouve sur la plaque signalétique (No. XXXX-XXXX-XXXX).

## 12. Spécification

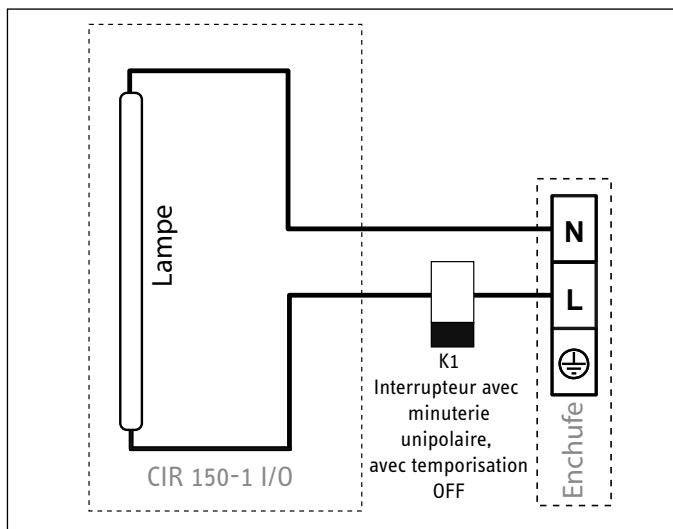
### 12.1 Recommandations en termes de spécifications de fixation et de couverture



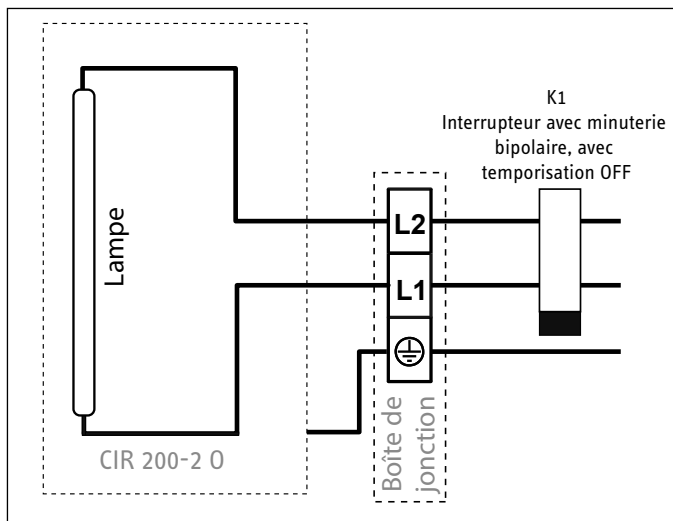
Model	Puis- sance	H	Dimensions de l'espace chauffé				
			A	B	C	D	E
CIR 150-1 I, 1500 W	CIR 150-1 O	Min.: 7'	8' 10"	8' 6"	16' 1"	108 ft <sup>2</sup>	13.9 W / ft <sup>2</sup>
		(2.1 m)	(2.7 m)	(2.6 m)	(4.9 m)	(10.1 m <sup>2</sup> )	(148.5 W / m <sup>2</sup> )
CIR 200-2 O 2000 W	CIR 200-2 O	Max.: 8'	9' 10"	9' 2"	18' 1"	133 ft <sup>2</sup>	11.3 W / ft <sup>2</sup>
		(2.4 m)	(3.0 m)	(2.8 m)	(5.5 m)	(12.4 m <sup>2</sup> )	(121.0 W / m <sup>2</sup> )
CIR 400-2 O 4000 W	CIR 400-2 O	Min.: 8'	9' 10"	9' 2"	18' 1"	133 ft <sup>2</sup>	15.0 W / ft <sup>2</sup>
		(2.4 m)	(3.0 m)	(2.8 m)	(5.5 m)	(12.4 m <sup>2</sup> )	(161.3 W / m <sup>2</sup> )
CIR 200-2 O 2000 W	CIR 200-2 O	Max.: 9'	11' 2"	9' 10"	20'	165 ft <sup>2</sup>	12.1 W / ft <sup>2</sup>
		(2.7 m)	(3.4 m)	(3.0 m)	(6.1 m)	(15.3 m <sup>2</sup> )	(130.7 W / m <sup>2</sup> )
CIR 400-2 O 4000 W	CIR 400-2 O	Min.: 10'	11' 10"	11' 2"	23'	205 ft <sup>2</sup>	19.5 W / ft <sup>2</sup>
		(3.0 m)	(3.6 m)	(3.4 m)	(7.0 m)	(19.0 m <sup>2</sup> )	(210.5 W / m <sup>2</sup> )
CIR 200-2 O 2000 W	CIR 200-2 O	Max.: 11' 6"	13' 5"	14' 1"	27' 7"	275 ft <sup>2</sup>	14.5 W / ft <sup>2</sup>
		(3.5 m)	(4.1 m)	(4.3 m)	(8.4 m)	(25.4 m <sup>2</sup> )	(157.5 W / m <sup>2</sup> )

### 12.2 Schéma de câblage

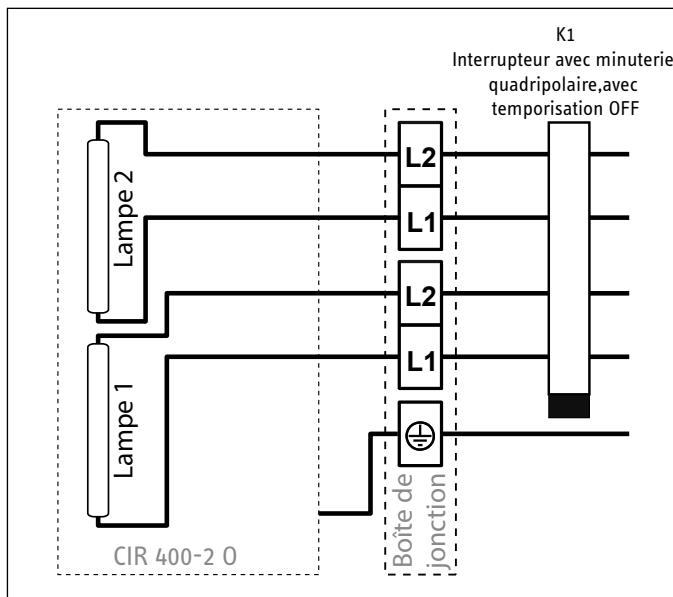
CIR 150-1 I, CIR 150-1 O



CIR 200-2 O



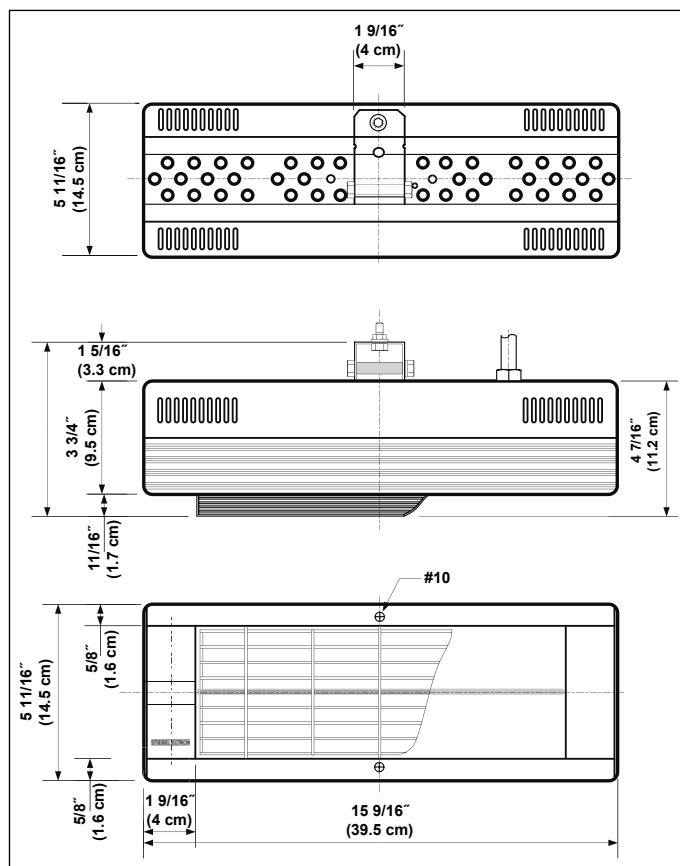
CIR 400-2 O



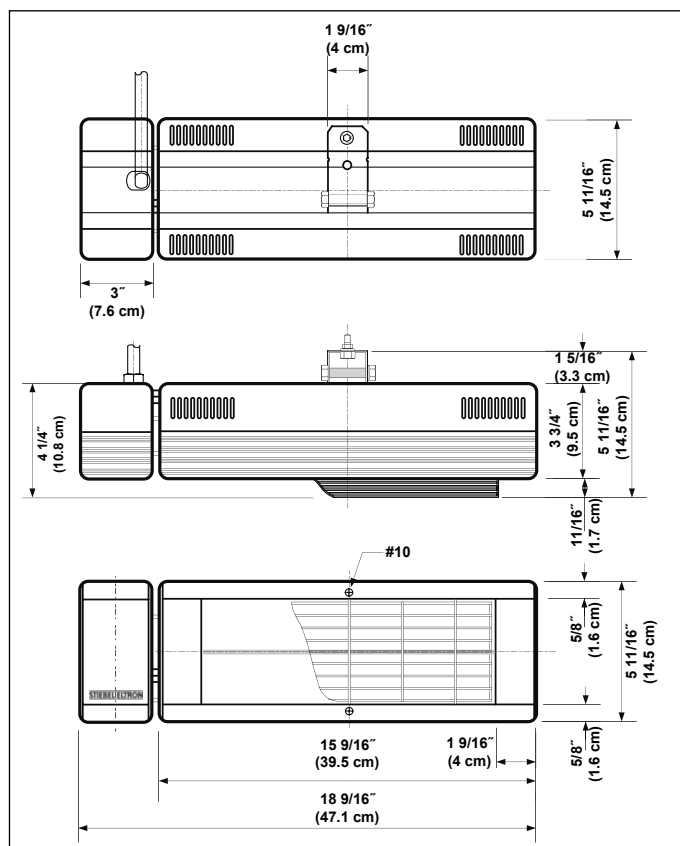
# INSTALLATION SPÉCIFICATION

## 12.3 Dimensions

### CIR 150-1 I



### CIR 150-1 O & CIR 200-2 O

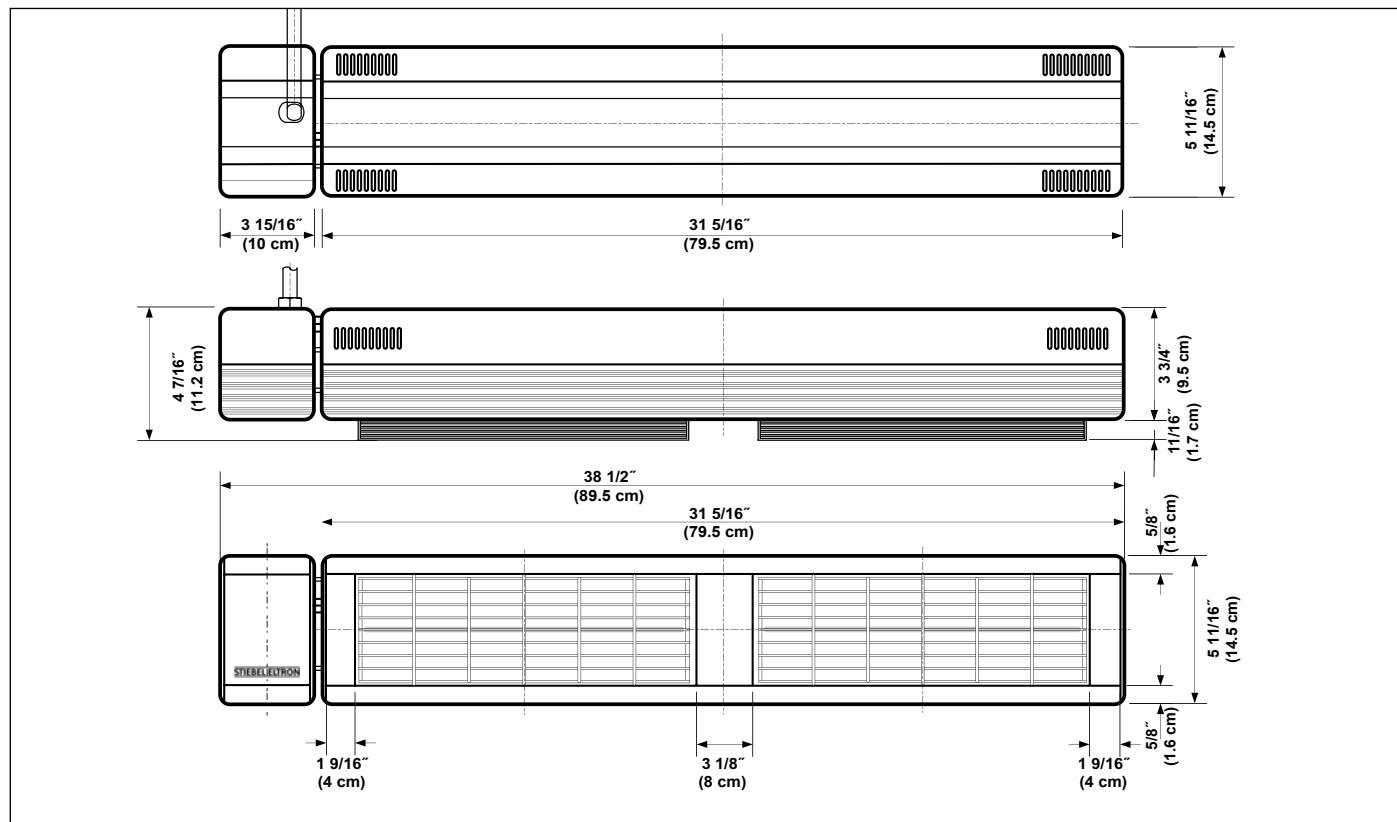


FRANÇAIS

# INSTALLATION

## PIÈCE APRÈS-VENTE

### CIR 400-2 0



## 12.4 Tableau des spécifications

Modèle	CIR 150-1 I	CIR 150-1 0	CIR 200-2 0	CIR 400-2 0
Article No.	234047	234048	234049	234050
Usage	intérieur uniquement	intérieur/extérieur	intérieur/extérieur	intérieur/extérieur
Norme d'essai	ANSI/UL 1278	ANSI/UL 2021	ANSI/UL 2021	ANSI/UL 2021
Tension, 60Hz	115-120 V	115-120 V	230-240 V	230-240 V
Puissance	1.5 kW	1.5 kW	2.0 kW	4.0 kW
Ampérage	12.5 A	12.5 A	8.3 A	2 x 8.3 A
Nombre et taille des disjoncteurs requis	20 A	20 A	15 A	2 x 15 A
Calibre de fil requis (AWG cuivre)	14 AWG			
Température de la lampe	1325 °C, ±200 °C / 2420 °F, ±360 °F			
Durée de vie de la lampe (conditions normales)	5000 heures			
Lampe couleur température	1600 K, ±200 K			
Hauteur	145 mm / 5 11/16 po			
Largeur	395 mm / 15 9/16 po	471 mm / 18 9/16 po	471 mm / 18 9/16 po	978 mm / 38 1/2 po
Profondeur	112 mm / 4 7/16 po	108 mm / 4 3/4 po	108 mm / 4 3/4 po	112 mm / 4 7/16 po
Poids	2,2 kg / 4,85 lb	2,5 kg / 5,5 lb	2,5 kg / 5,5 lb	4,0 kg / 8,8 lb
Coefficient IP	IP20	IP24	IP24	IP24
Couleur	Blanc alpin	Blanc alpin	Blanc alpin	Blanc alpin

## 13. Pièce après-vente

Model	CIR 150-1 I	CIR 150-1 0	CIR 200-2 0	CIR 400-2 0
Grille de protection	BHSG	BHSG	BHSG	BHSG
Lampe chauffante	LGHS1520	LGHS1524	LGHS2024	(2) LGHS2024

## 14. Garantie

**Garantie résidentielle et commerciale :** Stiebel Eltron, Inc. garantit le radiateur à infrarouge CIR contre tout vice de fabrication et/ou de matériel au propriétaire initial dans des conditions d'utilisation et de service normales pendant une période d'un (1) an (douze mois) à partir de la date d'achat, et sous réserve des conditions et limites stipulées dans la présente. **Avertissement : L'usage de ce radiateur dans des zones côtières à air salin peut entraîner une corrosion du boîtier et du réflecteur en aluminium et une défaillance prématurée de la lampe chauffante. Ces situations (corrosion et défaillance découlant de l'usage en zones côtières) ne sont pas couvertes par la garantie.**

### GARANTIE D'UN AN (12 MOIS)

Nous fournissons, sous réserve des conditions et limites stipulées dans la présente et définies ci-après, pendant la durée de cette garantie limitée, toute pièce du radiateur, main-d'œuvre exclue, que le fabricant aura identifiée, après inspection, comme défectueuse en matériel ou main-d'œuvre pendant une période d'un an (12 mois) à partir de la date d'achat. Cette garantie s'applique au propriétaire initial du radiateur et seulement si l'appareil est installé et utilisé conformément au mode d'emploi imprimé fourni avec l'appareil et conformément aux codes d'installation et de construction en vigueur et aux bonnes pratiques du métier. Le non-respect de la directive d'entretien l'équipement par le biais d'un entretien régulier par un prestataire agréé aura pour effet d'annuler la garantie.

### NON COUVERT PAR LA GARANTIE

Le fabricant ne peut être tenu responsable des frais, y compris frais de main-d'œuvre, d'entretien, de diagnostic, d'analyse, de matériel ou de transport/d'expédition encourus pendant la dépose, les réparations ou la remise en place de ce produit ou de n'importe lequel des composants ou des pièces. Tous les frais de main-d'œuvre, d'expédition et/ou d'entretien incomberont au propriétaire. Cette garantie ne couvre pas les produits qui auraient été modifiés après leur départ de l'usine, mal installés, mal utilisés, exposés à des situations abusives ou endommagés par des catastrophes naturelles, du fait de négligence, d'accident, d'atmosphère corrosive ou contaminée, de submersion dans l'eau, de choc thermique excessif, de chocs, d'abrasion, d'usure normale du fait de l'utilisation, de modification ou d'usage contraire au mode d'emploi ou si le numéro de série a été modifié, abîmé ou retiré. Cette garantie ne s'appliquera pas si la tension vers le radiateur dépasse la tension nominale sur la plaque signalétique de plus de 10 %. Le fabricant ne peut être tenu responsable pour tout dommage indirect résultant ou relié à l'utilisation ou au rendement du produit ou pour tout autre dommage indirect relatif à la perte de propriété, de revenu ou de bénéfice, ou les frais de dépose, d'installation ou de remise en place ou pour tout autre défaillance ou retard dans le rendement dans sa garantie causé par tout événement au-delà de son contrôle, y compris des actes de guerre, des restrictions gouvernementales, des limites, des grèves, des incendies, des inondations, des catastrophes naturelles ou un approvisionnement réduit ou insuffisant des matières premières ou des produits.

### PROCÉDURE DE GARANTIE

Pour déterminer la date d'achat à toutes fins définies dans le cadre de cette garantie limitée, vous devez conserver le récépissé d'origine qui permettra d'obtenir la date d'achat de votre appareil. Si vous ne fournissez pas ces documents, la date de début de cette garantie limitée sera définie en fonction de la date de fabrication de l'appareil, plus trente jours (30) jours. Si le propriétaire désire retourner le radiateur à infrarouge CIR pour qu'il soit réparé, il doit d'abord obtenir l'autorisation expresse de Stiebel Eltron, Inc. Le propriétaire doit ensuite apporter la preuve de la date d'achat et payer tous les frais de port pour renvoyer la pièce défectueuse ou le radiateur pour qu'il soit réparé ou remplacé. Une installation ou une utilisation erronée du radiateur ou toute modification de la conception auront pour effet d'annuler la garantie.

### LIMITES ET EXCLUSIONS

Ce document contient toutes les garanties offertes par le fabricant et ne peut être modifié, changé ou rallongé par qui que ce soit. Le fabricant ne fait aucune promesse, ne s'engage à rien d'autre que ce qui est décrit dans la présente. CETTE GARANTIE REMPLACE TOUTE GARANTIE, EXPRESSE OU IMPLICITE, DANS LES LIMITES AUTORISÉES PAR LES LOIS EN VIGUEUR, Y COMPRIS NOTAMMENT LES GARANTIES OU LA QUALITÉ MARCHANDE de L'ADAPTATION À UN USAGE PARTICULIER. Toutes les garanties sont limitées à une période de 12 mois. Il est compris et agréé que l'obligation du fabricant dans le cadre de la présente se limite à la réparation ou au remplacement des pièces qui auront été identifiées comme défectueuses comme stipulé ci-dessus. Le fabricant ne saurait en aucun cas être tenu responsable pour toute blessure invoquées, ni pour toute autre dommage spécial, accessoire ou indirect. En ce qui concerne les réclamations liées aux dégâts matériels, à la rupture du contrat ou à la responsabilité civile, le fabricant ne peut être tenu responsable d'un montant supérieur au prix d'achat du produit.

Toutes les pièces de rechange seront garanties pour la période non écoulée de la période de garantie de l'appareil en question. Certaines entités gouvernementales et officielles n'autorisent pas certaines exclusions ou limites à la garantie sur la durée de la garantie ou les exclusions et limites aux dommages indirects ou accessoires. Si c'est le cas, les limites ou exclusions définies ci-dessus peuvent ne pas s'appliquer et ne sont pas prévues à cet effet là où la loi l'interdit. Cette garantie vous donne des droits juridiques spécifiques. Il est possible que vous ayez d'autres droits qui varient d'une juridiction à l'autre.



L'installation, le branchement électrique et la première mise en route de cet appareil doivent être exécutés par un prestataire qualifié.



La société rejette toute responsabilité pour toute défaillance du produit livré qui n'aurait pas été installé et mis en route conformément aux directives du fabricant.

## Environnement et recyclage

Veillez nous aider à protéger l'environnement en mettant les matériaux d'emballage au rebut conformément aux règlements nationaux relatifs au traitement des déchets.

Cette garantie n'est valide que pour le Canada et les États-Unis. Les garanties varient en fonction du pays. Veuillez vous adresser à votre représentant local Stiebel Eltron pour plus de détails sur la garantie s'appliquant à votre pays.

STIEBEL ELTRON, Inc.  
17 West Street | West Hatfield MA 01088  
Tel. 413-247-3380 | Fax 413-247-3369  
info@stiebel-eltron-usa.com  
www.stiebel-eltron-usa.com

**STIEBEL ELTRON**

A 320495-40070-9260