

Prices effective January 1, 2012

**If sufficient quantities are ordered, full containers will be shipped direct from Germany.
 In that case, FOB will be destination.**

Flat Plate Collectors

MSRP

230016
 230017

SOL 27 Premium S
 SOL 27 Premium W

\$1199.00¹
 \$1199.00¹



SOL 27 Premium S
 (standard vertical)

- » Aluminum absorber with copper fluid tubes
- » Highly selective coating
- » Low iron tempered solar glass
- » 10 year warranty
- » Custom mounting hardware available
- » Low profile at 3" thickness
- » Durable corrosion resistant aluminum frame

¹ **Note:** Price includes necessary [S248181] BSPT to 3/4" copper sweat connection kit. [S248181] must be listed as a separate line item on P.O. at no charge, 2 needed per inlet/outlet kit



SOL 27 Premium W
 (horizontal wide)

227749

SOL 25 Plus

\$999.00¹



- » Copper absorber plate
- » Chromium oxide selective coating with 95% absorption
- » Low iron tempered glass with 92% transmittance
- » Corrosion resistant aluminum construction
- » Low profile at 3" thickness
- » Mount vertical or horizontal

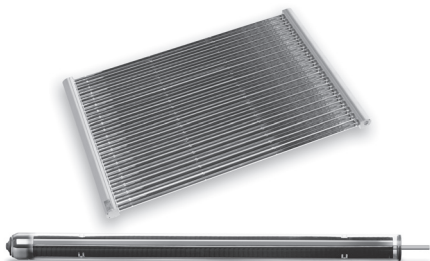
¹ **Note:** Price includes necessary [S248181] BSPT to 3/4" copper sweat connection kit. [S248181] must be listed as a separate line item on P.O. at no charge, 2 needed per inlet/outlet kit

Evacuated Tube Collector & Accessories

MSRP

791175	S-Power 20 tube manifold	\$1437.00¹
791174	S-Power 30 tube manifold	\$2157.00²
1302/005	S-Power single vacuum tube, 2.0 M	\$72.00

S-Power Evacuated Tube Collector



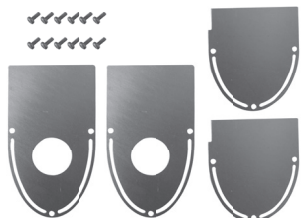
20 tube manifold + 20 tubes
+ 1 end cap + 1 brass adapter = \$3010.00
30 tube manifold + 30 tubes
+ 1 end cap + 1 brass adapter = \$4450.00

- » Anti-reflective coating increases solar transmission to 96%
- » Patented glass-to-metal seal for superior vacuum
- » Impact resistant glass to protect against hail & environmental damage
- » Copper tubing and absorber
- » Titanium oxy-nitride coating for exceptional absorption efficiency (96%)
- » Lead-free, single-wall, soda-lime glass
- » Manifolds supplied without tubes

¹ **Note:** For a 20 tube collector, twenty (20) x [1302/005] vacuum tubes and one (1) x [791175] manifold and one (1) x [791017] end caps, and one (1) x [711000] 3/4" Brass adapters are needed

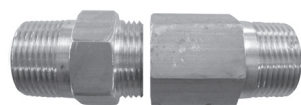
² **Note:** For a 30 tube collector, thirty (30) x [1302/005] vacuum tubes and one (1) x [791174] and one (1) x [791017] end caps, and one (1) [711000] 3/4" Brass adapters are needed

791017	S-Power end caps	\$53.00
---------------	-------------------------	----------------



- » Use one (1) x [791017] end caps, and one (1) x [711000] adapter per header/footer manifold

711000	S-Power adapter	\$80.00
---------------	------------------------	----------------

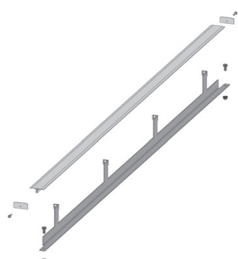


- » 3/4" brass
- » Use one (1) x [711000] adapter and one (1) x [791017] end caps per header/footer manifold

Flat Plate Collector Accessories

MSRP

230931	SOL 27 Premium S cover strip	\$70.00
230932	SOL 27 Premium W cover strip	\$52.00

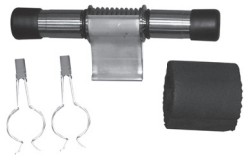


- » Transition piece to cover gap between collectors for certain architectural applications

230185

SOL 27 Premium connector

\$43.00



» This connection tube will provide the plumbing connection between two (2) x [230016] SOL 27 Premium S or two (2) x [230017] Sol 27 Premium W collectors.

230913

SOL 27 Premium connectors

\$132.00¹



» For inlet and outlet, with sensor and sensor well

» One connector with sensor required per system

¹ **Note:** Price includes necessary [S248181] BSPT to 3/4" copper sweat connection kit. [S248181] must be listed as a separate line item on P.O. at no charge, 2 needed per inlet/outlet kit

231683

SOL 27 Premium connector

\$66.00¹



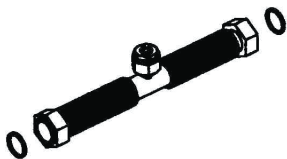
» For inlet or outlet when sensor is not needed

¹ **Note:** Price includes necessary [S248181] BSPT to 3/4" copper sweat connection kit. [S248181] must be listed as a separate line item on P.O. at no charge, 2 needed per inlet/outlet kit

170804

SOL 25 Plus flexible tube connector

\$40.00

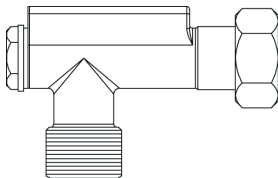


» This flexible stainless steel connection tube will provide the plumbing connection between two (2) x [227749] SOL 25 Plus collectors.

185307

SOL 25 Plus sensor well

\$18.00



» Well for sensor, used in conjunction with solar differential controller

S10043

Purgomat

\$51.00



» Use one (1) x [S10047] Ball shut off valve per [S10043] purgomat

S10047

Ball shut off valve

\$11.00

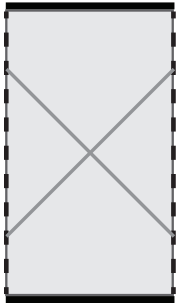


» Use one (1) x [S10043] Purgomat per [S10047] Ball shut off valve

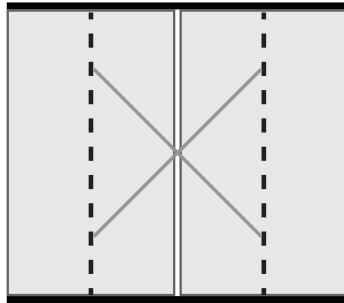
Rack System Layout for Solar Collectors

MSRP

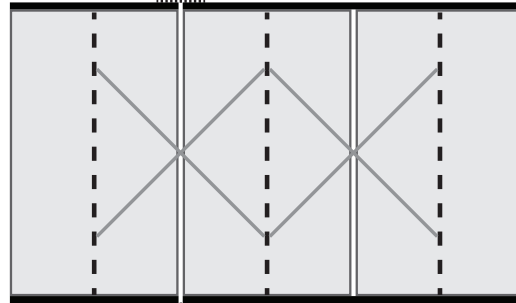
SOL 27 Premium S or SOL 25 Plus – vertical rack configurations



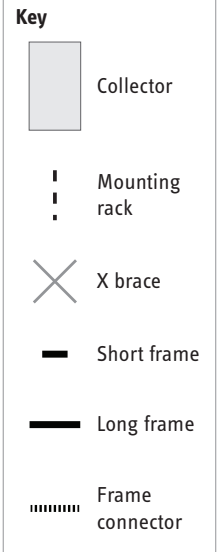
Single collector



Multiple collector example A



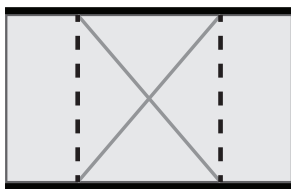
Multiple collector example B



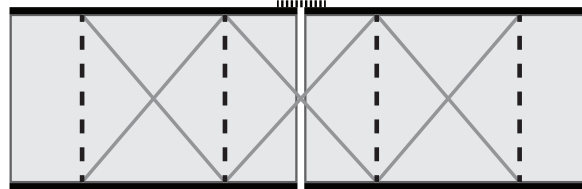
For a single vertical collector, two (2) x [560101] or two (2) x [560102] racks (one on each outer edge), and one (1) x [560106] Vertical X-brace kit are needed.

For arrays of two (2) or more vertical collectors, one (1) x [560101] or one (1) x [560102] rack per collector (mounts in the center of each collector) is needed. Use one (1) x [560106] Vertical X-brace kit between each rack.

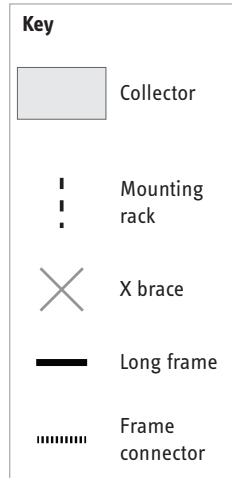
SOL 27 Premium W or SOL 25 Plus – horizontal rack configurations



Single collector

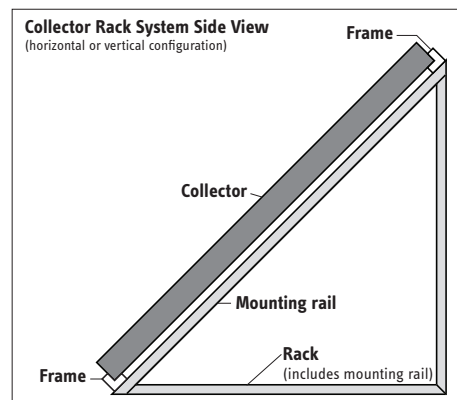


Multiple collector



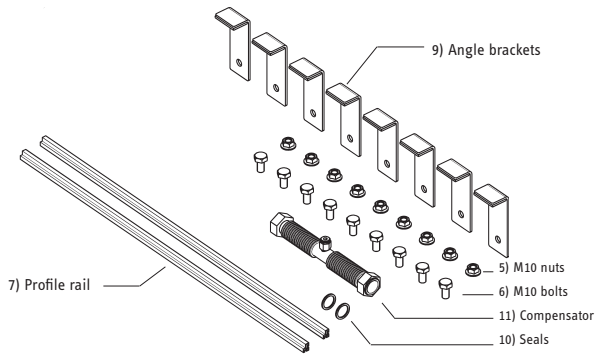
For a single horizontal collector, two (2) x [560201] or two (2) x [560203], and one (1) x [560206] Horizontal X-brace kit are needed.

For arrays of two (2) or more horizontal collectors, two (2) x [560201] or two (2) x [560203] racks per collector are needed. Use one (1) x [560206] Horizontal X-brace kit between each mounting rack.



185546 R2 Mounting frame

\$189.00



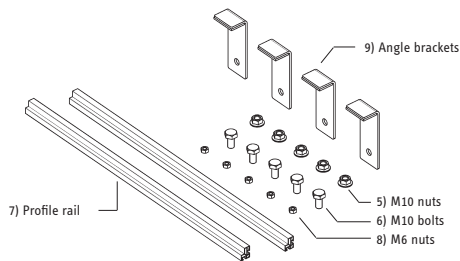
Mounting frame for two (2) x [227749] SOL 25 Plus collectors. For vertical installation.

- » Provides safe & easy installation.
- » Permits installation on wood / shingled roofs, metal roofs, flat roofs or walls.

Can also be used to mount one (1) x [227749] SOL 25 Plus collector horizontally.

185545 R1 Mounting frame

\$93.00

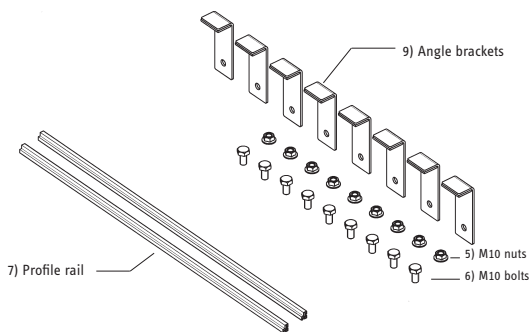


Mounting frame for one (1) x [227749] SOL 25 Plus collector. For vertical installation.

- » Provides safe & easy installation.
- » Permits installation on wood / shingled roofs, metal roofs, flat roofs or walls.

230170 Mounting frame

\$189.00



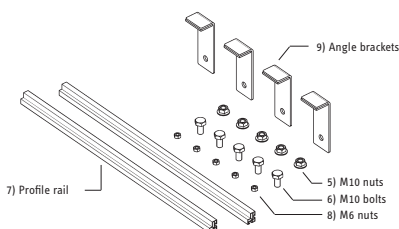
Mounting frame for two (2) x [230016] SOL 27 Premium S collectors. For vertical installation.

- » Provides safe & easy installation.
- » Permits installation on wood / shingled roofs, metal roofs, flat roofs or walls.

Can also be used to mount one (1) [230017] SOL 27 Premium W collector, horizontal.

230169 Mounting frame

\$93.00



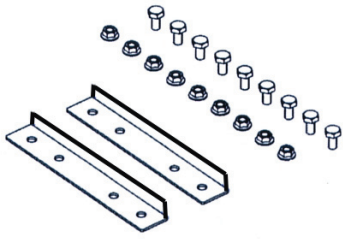
Mounting frame for one (1) x [230016] SOL 27 Premium S collector. For vertical installation.

- » Provides safe & easy installation.
- » Permits installation on wood / shingled roofs, metal roofs, flat roofs or walls.

SFC 001

Frame connector kit

\$33.00



- » For SOL 27 Premium or SOL 25 Plus Collectors
- » Frame connector kit to join multiple roof mounting frames for a row of collectors.

Contents:

- » 2 frame connectors
- » 8, M10 nuts and bolts

S5U

S5U clamp

\$15.00



- » Aluminum
- » Includes (2) set screws and (1) mounting bolt
- » Use with all mounting frames and/or racks on raised seam metal roof applications.

S102

L-bracket

\$8.00

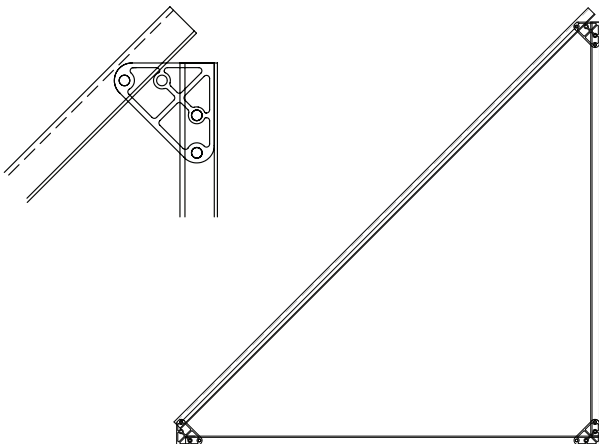


- » Use with all mounting frames and S5U clamps on raised seam metal roof applications.

560101

Vertical fixed 45° rack

\$169.00



- » For SOL 27 Premium S or SOL 25 Plus
- » Use two (2) x [**560105SQ**] Solar roof mount flashing kit per one (1) x [**560101**] Vertical fixed 45° rack

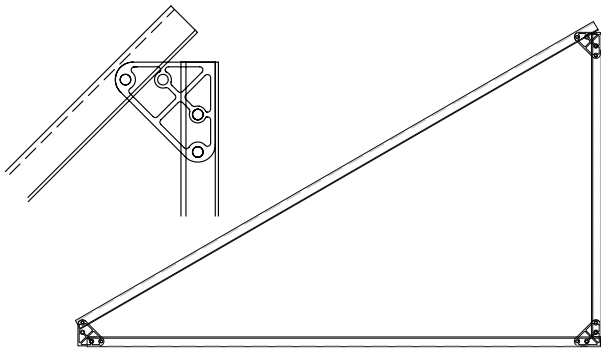
For use with:

- [**230016**] SOL 27 Premium S Collector
- [**227749**] SOL 25 Plus Collector
- [**560106**] Vertical X-brace kit
- [**560105SQ**] Solar roof mount flashing kit

560102

Vertical 30-45-60° rack

\$169.00



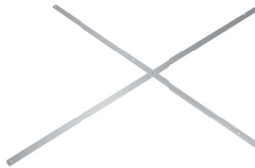
- » For SOL 27 Premium S or SOL 25 Plus
- » Adjusts to 30°, 45° & 60° angles
- » Use two (2) x [560105SQ] Solar roof mount flashing kit per one (1) x [560102] Vertical 30-45-60° rack

For use with:
 [230016] SOL 27 Premium S Collector
 [227749] SOL 25 Plus Collector
 [560106] Vertical X-brace kit
 [560105SQ] Solar roof mount flashing kit

560106

Vertical X-brace kit

\$39.00

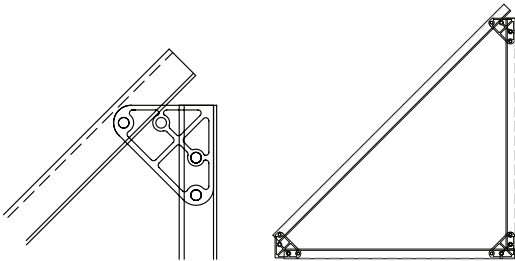


- For use with:
 [560101] SOL 27 Premium S & SOL 25 Plus vertical fixed 45° rack
 [560102] SOL 27 Premium S & SOL 25 Plus vertical 30-45-60° rack

560201

Horizontal fixed 45° rack

\$104.00



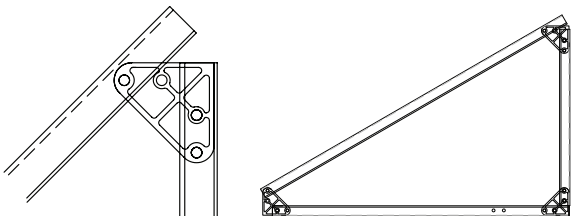
- » For SOL 27 Premium W or SOL 25 Plus
- » Use two (2) x [560105SQ] Solar roof mount flashing kit per (1) x [560201] Horizontal fixed 45° rack

For use with:
 [230017] SOL 27 Premium W Collector
 [227749] SOL 25 Plus Flat Collector
 [560206] Horizontal X-brace kit
 [560105SQ] Solar roof mount flashing kit

560203

Horizontal 30-45-60° rack

\$107.00



- » For SOL 27 Premium W or SOL 25 Plus
- » Adjusts to 30°, 45° & 60° angles
- » Use two (2) x [560105SQ] Solar roof mount flashing kit per one (1) x [560201] Horizontal fixed 45° rack

For use with:
 [230017] SOL 27 Premium W Collector
 [227749] SOL 25 Plus Collector
 [560206] Horizontal X-brace kit
 [560105SQ] Solar roof mount flashing kit

560206

Horizontal X-brace kit

\$34.00



For use with:

- [560201] SOL 27 Premium W or SOL 25 Plus horizontal fixed 45° rack
- [560203] SOL 27 Premium W or SOL 25 Plus horizontal 30-45-60° rack

560105SQ

Solar roof mount flashing kit

\$45.00



» Use two (2) x [560105SQ] per rack

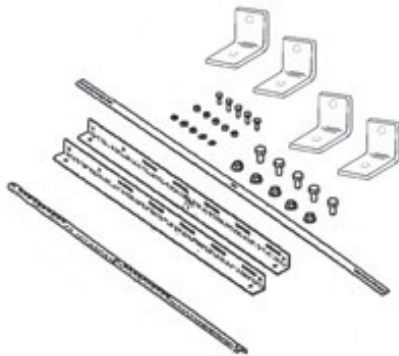
For use with:

- [560101] SOL 27 Premium S & SOL 25 Plus vertical fixed 45° rack
- [560102] SOL 27 Premium S & SOL 25 Plus vertical 30-45-60° rack
- [560201] SOL 27 Premium W or SOL 25 Plus horizontal fixed 45° rack
- [560203] SOL 27 Premium W or SOL 25 Plus horizontal 30-45-60° rack

SFT-004

SOL 25 Plus frame tilt system

\$137.00



Not drawn to scale

» Frame tilt system for adjusting tilt on roofs 10 to 30 degrees.

Contents:

- » Adjustable riser strut set
- » 4 L brackets
- » 1 Brace
- » 1 Collector rail
- » 5 sets M10 nuts and bolts
- » 5 sets M6 x 2 nuts and bolts

Note: Two needed per frame

For use with:

- [227749] SOL 25 Plus Collector
- [560105L] Roof mount flashing kit - flush mount, low clearance

560104-25

Vertical flush mount rail

\$63.00



For use with:

- [227749] SOL 25 Plus Collector
- [560105L] Roof mount flashing kit - flush mount, low clearance
- [560105Z] Roof mount flashing kit - flush mount, medium clearance

560104-27 Vertical flush mount rail

\$63.00



For use with:

[**230016**] SOL 27 Premium S Collector

[**560105L**] Roof mount flashing kit - flush mount, low clearance

[**560105Z**] Roof mount flashing kit - flush mount, medium clearance

560107-25 Horizontal flush mount rail

\$35.00



For use with:

[**227749**] SOL 25 Plus Collector

[**560105L**] Roof mount flashing kit - flush mount, low clearance

[**560105Z**] Roof mount flashing kit - flush mount, medium clearance

560107-27 Horizontal flush mount rail

\$35.00



For use with:

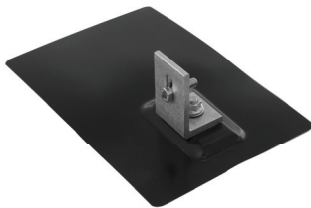
[**230017**] SOL 27 Premium W Collector

[**560105L**] Roof mount flashing kit - flush mount, low clearance

[**560105Z**] Roof mount flashing kit - flush mount, medium clearance

560105L Roof mount flashing kit

\$45.00



» Flush mount, for low clearance applications

» Use two (2) x [**560105L**] per flush mount rail

For use with:

[**560104-25**] SOL 25 Plus vertical flush mount rail

[**560104-27**] SOL 27 Premium vertical flush mount rail

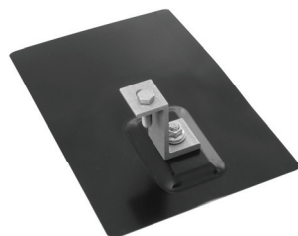
[**560107-25**] SOL 25 Plus horizontal flush mount rail

[**560107-27**] SOL 27 Premium horizontal flush mount rail

[**SFT-004**] SOL 25 Plus frame tilt system

560105Z Roof mount flashing kit

\$45.00



» Flush mount, for medium clearance applications

» Use two (2) x [**560105L**] per flush mount rail

For use with:

[**560104-25**] SOL 25 Plus vertical flush mount rail

[**560104-27**] SOL 27 Premium vertical flush mount rail

[**560107-25**] SOL 25 Plus horizontal flush mount rail

[**560107-27**] SOL 27 Premium horizontal flush mount rail

Solar Domestic Hot Water Storage Tanks

MSRP

221220
221221

SB 150 S, 40 Gal.
SB 200 S, 52 Gal.

\$1079.00
\$1175.00



- » Single heat exchanger
- » Heat exchangers are heavy gauge steel with porcelain enamel coating
- » 2" foam insulation for low standby heat loss
- » Replaceable sacrificial anode rod

221219
221222

SBB 300 S, 82 Gal.
SBB 400 S, 110 Gal.

\$1899.00^{1,2}
\$2099.00^{1,2}



- » Single heat exchanger
- » Heat exchangers are heavy gauge steel with porcelain enamel coating
- » 3" foam insulation for ultra low standby heat loss
- » Thermometer
- » Replaceable sacrificial anode rod with wear indicator

¹ **Note:** Price includes necessary [STAK-003] connection kit.
[STAK-003] must be listed as a separate line item on P.O. at no charge.

² **Note:** A \$75.00 crating charge applies to the SBB 300 and SBB 400 S

187873
187874
187875

SBB 300 Plus, 80 Gal.
SBB 400 Plus, 108 Gal.
SBB 600 Plus, 163 Gal.

\$2199.00^{1,2,3}
\$2399.00^{1,2,3}
\$3499.00^{1,3}



- » Dual heat exchanger
- » Heat exchangers are heavy gauge steel with porcelain enamel coating
- » 3" foam insulation for ultra low standby heat loss
- » Thermometer
- » Immersion wells for control sensors
- » Replaceable sacrificial anode rod with wear indicator

¹ **Note:** Price includes necessary [STAK-002] connection kit.
[STAK-002] must be listed as a separate line item on P.O. at no charge.

² **Note:** A \$75.00 crating charge applies to the SBB 300 and SBB 400 Plus.
There is no crating charge for the SBB 600 Plus.

³ **Note:** SBB Plus tanks are not ASME approved

222423

Accelera® 300

\$2,799.00¹

- » Heat pump water heater for non-solar applications
- » 10 year warranty
- » 2.5 energy factor
- » 80 gallon storage capacity
- » Reduces hot water costs by up to 80%
- » Helps cool and dehumidify the air around it
- » Low stand-by losses through good insulation
- » Qualifies for Energy Star tax credit

¹ **Note:** Price includes [AC500423] Connection kit

Storage Tank Accessories

MSRP

STAK-002

Solar Tank Accessory Kit (STAK)

\$83.00



- » For SBB Plus tanks
- » 4 brass nipple adapters
- » Pressure relief valve
- » Brass fittings¹
- » Inlet / outlet adapters

¹ **Note:** All fittings adapt BSPT to NPT thread or sweat

STAK-003

Solar Tank Accessory Kit (STAK)

\$71.00



- » For SBB S tanks
- » 2 brass nipple adapters
- » Pressure relief valve
- » Brass fittings¹
- » Inlet / outlet adapters

¹ **Note:** All fittings adapt BSPT to NPT thread or sweat

248999

Recirculation nipple

\$39.00



Storage Tank Spare Parts

MSRP

050826

Sacrificial anode

\$14.00



» For anode replacement in SB S tanks

249041

Sacrificial anode

\$46.00



» For anode replacement in SBB 300-400 S and SBB 300-400 Plus tanks

249042

Sacrificial anode

\$64.00



» For anode replacement in SBB 600 Plus tanks

143499

Segmented sacrificial anode

\$119.00



» For anode replacement in SBB S and SBB Plus tanks
» For low clearance ceilings

140919

Anode rod indicator

\$4.00



» For anode replacement in SBB S and SBB Plus tanks

036770

Anode gasket

\$1.00



» Use when replacing sacrificial anode

165967

Thermometer

\$9.00



» Replacement for SBB S and SBB Plus tanks

Pump Stations & Line Sets

MSRP

221339

SE FLOWSTAR kit

\$820.00



- » Circulator
- » 2 Boiler drains
- » 2 Check valves
- » 1 expansion tank
- » 1 Pressure relief valve
- » 1 Pressure gauge
- » 1 Flowmeter
- » 1 Feed thermometer
- » 1 Return thermometer
- » [S10043] Purgomat air vent
- » [222418] SOKI/SAS Connection Kit - Flowstar

221337

SE FLOWSTAR pump

\$599.00



- » Circulator
- » 2 Boiler drains
- » 2 Check valves
- » 1 Pressure relief valve
- » 1 Pressure gauge
- » 1 Flowmeter
- » 1 Feed thermometer
- » 1 Return thermometer

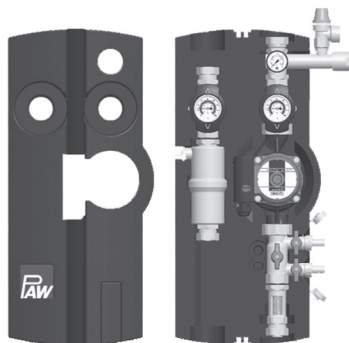
Note: for non-tank mounted pumps, use BST/NPT adapter for bottom of station

Note: All pumps ship with pump collector kit for tank mount applications

607042

SE FLOWCON MAX

\$994.00

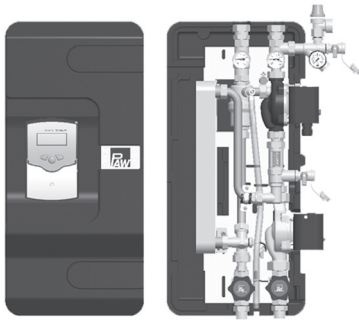


- » Circulator
- » 2 Boiler drains
- » 2 Check valves
- » 1 Expansion tank
- » 1 Pressure relief valve
- » 1 Temp / pressure gauge
- » 1 Flowmeter
- » 1 Return thermometer
- » 1 Air vent

6094602US
6094603US

SE Solex DWHX 16 plate
SE Solex DWHX 30 plate

\$3360.00
\$3706.00

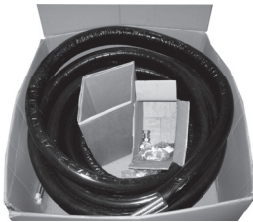


- » 16 plate (for up to 10 collectors)
- » 30 plate (for up to 20 collectors)
- » Circulator
- » 2 Boiler drains
- » 2 Check valves
- » 1 Expansion tank
- » 1 Pressure relief valve
- » 1 Temp / pressure gauge
- » 1 Flowmeter
- » 1 Return thermometer
- » 1 Air vent

FLEXFIT
FLST50
FLST75
FLEXCPL

FlexFit fitting to female NPT
FlexSure line set, 50'
FlexSure line set, 75'
3/4" coupling

\$28.00 ea.¹
\$1542.00
\$2147.00
\$36.00



- » Insulated flexible stainless steel line set with control wire, UV/Water resistant, 1" insulation, with 3/4" NPT fittings
- » Custom lengths up to 100' are available
- » Special underground burial linesets are also available

¹ **Note:** Use four (4) x FlexFit [**FLEXFIT**] fittings (\$28.00 each) with each [**FLST50**] or [**FLST75**] FlexSure line set

ST116

Expansion tank – 15 liter

\$80.00



- » For 1 collector
- » Solar rated

ST117

Expansion tank – 30 liter

\$120.00



- » For up to 5 collectors
- » Solar rated

ST118

Expansion tank – 60 liter

\$160.00



- » For 6-10 collectors
- » Solar rated

074200

Glycol

\$129.00



- » 5 U.S. gallons / 19 liters
- » Ready to use mixture, for all climates

Controllers

MSRP

230141

SOM 6 Plus

\$233.00



- » Solar loop controller
- » Able to control variable speed pumps

222141

SOM 7 Si

\$329.00



- » Solar loop and auxiliary controller

230142

SOM 7 Plus

\$329.00



- » Solar loop and auxiliary controller
- » Able to control variable speed pumps

11566327

SOM 9

\$611.00



- » Multi-system controller
- » 7 sensor inputs
- » 4 power outputs
- » (BX) style

11599217

SOM 10

\$1026.00



- » Multi-system controller
- » 15 sensor inputs
- » 9 power outputs
- » Illuminated full graphic display
- » (MX) style

Controller Accessories

MSRP

18000710

Data logger DL2

\$422.00



18000777

Small solar display

\$335.00



18000787

Large solar display

\$2,170.00



18000850 **VBUS to USB adapter**

\$168.00



18000860 **VBUS to PWM adapter**

\$182.00



18000880 **VBUS to LAN adapter**

\$210.00



15500810 **Outdoor temperature sensor**

\$51.00



15100320 **Solar insolation sensor**

\$112.00



15500110 **High temp. sensor**

\$49.00



13600020

Room thermostat

\$53.00



28001107

Flowmeter

\$269.00



» Max. 5.2 GPM

28001117

Flowmeter

\$269.00



» Max. 13.2 GPM

28001127

Flowmeter

\$269.00



» Max. 22 GPM

29000470

6.3 Amp slow blow fuse

\$18.00



» Set of 10

29001420

1.25 Amp fast blow fuse

\$18.00



» Set of 5

165818

1K sensor

\$28.00



» 1K Immersion sensor for all SOM series controllers

S180650

4 Amp fuse

\$3.00



» Replacement fuse for SOM series controllers

Miscellaneous

MSRP

28001340

Temperature mixing valve

\$111.00



28001350

Reducing bushing

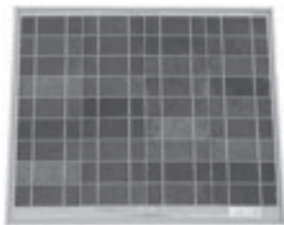
\$28.00

For use with [28001340] Temperature mixing valve

SPV20W

20 W PV panel

\$333.00

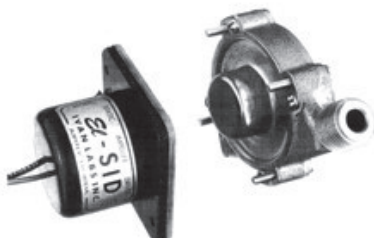


» 20 W PV panel for [SID10] DC pump

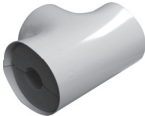







SID10

EI-Sid DC pump

\$399.00



- » 10 W, 12 V
- » A driver with no moving parts
- » A pump without seals, stainless and bronze
- » Produces approximately 1 GPM flow rate with [SPV20W] 20 W PV panel

SUPVCT	T-joint outdoor pipe insulation	\$9.00
	» PVC clad polyisocyanurate, 7/8" i.d., 1" wall	
SUPVCST	Straight outdoor pipe insulation	\$3.50 / linear ft.
	» PVC clad polyisocyanurate, 7/8" i.d., 1" wall; 3' length Note: order by the linear foot in 3' increments	
SUPVC90	90° elbow outdoor pipe insulation	\$9.00
	» PVC clad polyisocyanurate, 7/8" i.d., 1" wall	
SUPVC45	45° elbow outdoor pipe insulation	\$9.00
	» PVC clad polyisocyanurate, 7/8" i.d., 1" wall	
SPVC30	PVC pre-curved jacket	\$2.40 / linear ft.
	Note: order by the linear foot in 4' increments	
SPVCTPE	PVC tape	\$13.00
	» 1.5" X 108"	
SARMFLX	Armaflex AP	\$2.60 / linear ft.
	» 7/8" i.d., 3/4" wall; 6' length Note: order by the linear foot in 6' increments	
SARMFLX-SPLIT	Split Armaflex	\$4.00 / linear ft.
	» 7/8" i.d., 3/4" wall; 6' length Note: order by the linear foot in 6' increments	

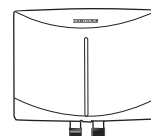
Stiebel Eltron Tankless Electric Water Heaters

POINT-OF-USE TANKLESS ELECTRIC WATER HEATERS

With electro-mechanical flow switch. For one or two taps.

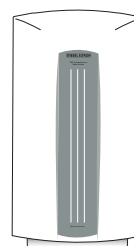
MINI™ Series tankless electric water heaters \$179.00

231045	MINI™ 2	120V	*
232098	MINI™ 2.5	120V	*
220816	MINI™ 3	120V	*
232099	MINI™ 3.5	120V	*
222039	MINI™ 4	208/240V	*
220817	MINI™ 6	208/240V	



DHC Series tankless electric water heaters \$206.00

074050	DHC 3-1	120V	*	074054	DHC 5-2	208/240V
074052	DHC 3-2	208/240V	*	074424	DHC 6-2	208/240V
074053	DHC 4-2	208/240V	*	074055	DHC 8-2	208/240V
074051	DHC 4-3	277V		074056	DHC 10-2	208/240V



*Ships with a 0.5 gpm aerator

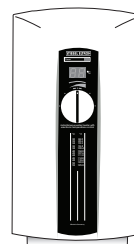
WHOLE HOUSE OR MULTIPLE TAPS TANKLESS ELECTRIC WATER HEATERS

Electronically controlled.

Tempra® Plus models are equipped with a digital temperature display and a self-adjusting flow control system. Tempra® B models have neither feature. There are no Tempra® 29 B or Tempra® 36 B models.

DHC-E

224201	DHC-E 8/10	208/240V	\$319.00
DHC-E 8/10 is two models in one! Unit is h from 7.2 kW to 9.6 kW during installation.			
230628	DHC-E 12	208/240V	\$339.00



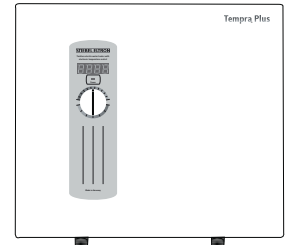
WHOLE HOUSE OR MULTIPLE TAPS TANKLESS ELECTRIC WATER HEATERS

Continued

Tempra®			
223420	Tempra® 12 B	208/240V	\$549.00
224196	Tempra® 12 Plus	208/240V	\$659.00
223421	Tempra® 15 B	208/240V	\$729.00
224197	Tempra® 15 Plus	208/240V	\$859.00
223422	Tempra® 20 B	208/240V	\$769.00
224198	Tempra® 20 Plus	208/240V	\$899.00
223424	Tempra® 24 B	208/240V	\$809.00
224199	Tempra® 24 Plus	208/240V	\$939.00
223425	Tempra® 29 Plus	208/240V	\$979.00
223426	Tempra® 36 Plus	208/240V	\$1039.00



Tempra® B Series
12 - 24 kW



Tempra® Plus Series
12 - 36 kW