

CK & CKT 15 E Electric Fan Heaters**Engineer/Architect:** _____ **Date:** _____**Job Name/Customer:** _____ **Phone:** _____**Location:** _____ **Date Required:** _____**Contractor:** _____ **Phone:** _____

CK model	Item No.	Quantity	kW	Voltage
_____	_____	_____	_____	_____

Description

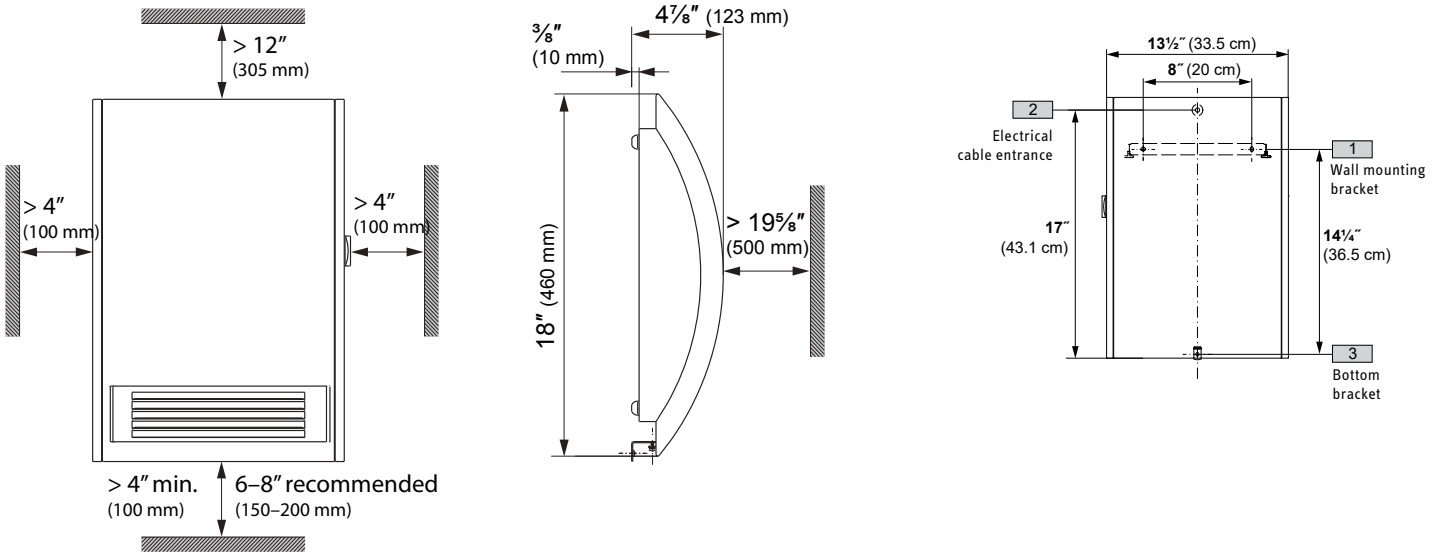
Stiebel Eltron CK wall-mounted electric heaters are designed for installation where quick heat is needed. They have an ultra-quiet fan and will replace existing recess-mount heaters. A built-in thermostat has a frost protection setting. CK heaters will work with wall thermostats in rooms larger than 215 sq. ft. (20 sq. m.) The CKT adds a 60 minute timer designed to temporarily output maximum heat to quickly warm a space. When the timer goes off the unit reverts to the thermostat setting to maintain comfort.

Specifications

Model	Item number	CK 15 E	074058
		CKT 15 E	230345
Phase		single	
Voltage		120 V	
Wattage		1500 W	
Amperage		12.5 A	
Rated output		5122 Btu/hr	
Air volume		106 cfm	
Recommended circuit breaker size		15 A	
Minimum wire size		14 AWG	
Heating element		nichrome wire	
Thermostat		bimetal type	
High limit		bimetal type	
Motor		18 W shaded pole	
Blower		galvanized steel, squirrel cage type	
Dimensions		HEIGHT 18" (460 mm) x WIDTH 13 ¹ / ₄ " (335 mm) x DEPTH 4 ⁷ / ₈ " (123 mm)	
Weight		8.0 lb (4.4 kg)	
Housing		stove enameled sheet steel / plastic	
Color		Alpine White with black grill	
Temperature range		45 - 86 °F (7 - 30 °C)	
Frost protection setting		45 °F (7 °C)	
Operating noise		49.7 dB(a)	

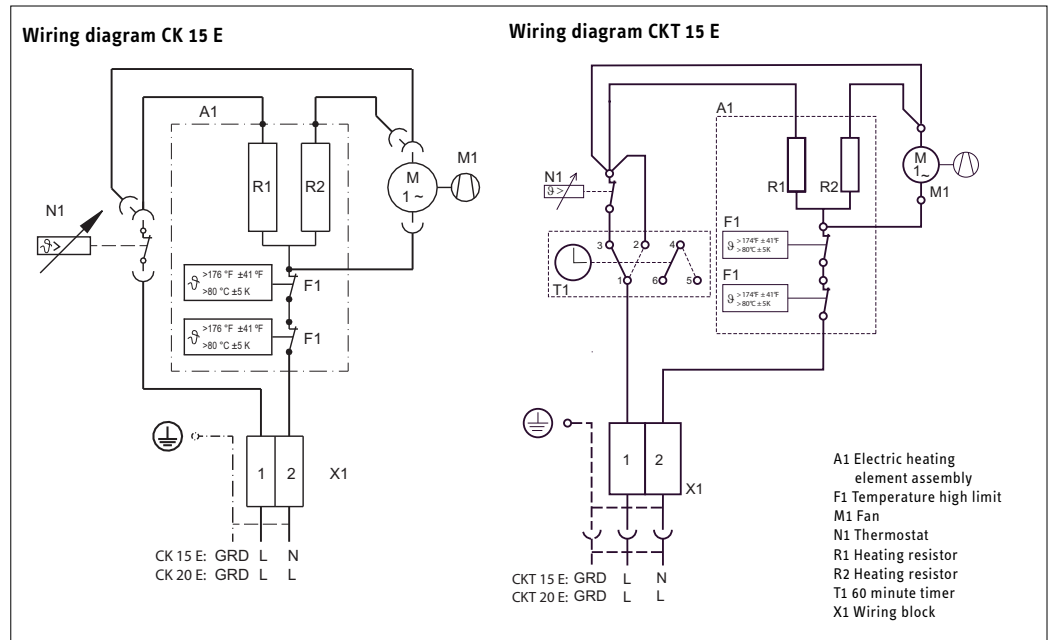


Dimensions & clearances




Intertek
 Certified to
 ANSI/UL Std. 2021
 Conforms to
 CAN/CSA
 Std. 22.2 No. 46

ISO 9001
 CERTIFIED



Warranty

Residential & commercial warranty: Stiebel Eltron warrants to the original owner that the CK or CKT wall mounted electric fan heater will be free from defects in workmanship and materials for a period of three (3) years from the date of purchase. Should the part(s) prove to be defective under normal use during this period, Stiebel Eltron, Inc. will be responsible for replacement of the defective part(s) only. Stiebel Eltron, Inc. is not responsible for labor charges to remove and/or replace the defective part(s), or any incidental or consequential expenses. Should the owner wish to return the heater for repair, the owner must first secure written authorization from Stiebel Eltron, Inc. The owner shall be required to show proof of purchase date, and to pay all transportation costs to return the defective part(s) or heater for repair or replacement. Warranty is void if heater has been installed or used improperly or if design has been altered in any way. Complete warranty available online.

rev. 11.2019 Due to our continuous process of engineering and technological advancement, specifications may change without notice.