

## CNS-E Surface-Mounted Convection Heaters

### Description

The CNS-E is a surface-mounted convection heater that can be used as a replacement for traditional baseboard heaters or as a stand-alone heating system. The built-in thermostat can be used to control a single CNS-E or multiple CNS-E units can be placed strategically in larger spaces and their temperature settings adjusted individually. CNS-E heaters may be wired to use an existing wall-mounted thermostat. Two pins in the control casing can be used to fix the temperature controller at a setting or limit the temperature setting range. CNS-E frost protection setting will maintain a room above freezing temperature. Overheat protection is built into the unit. The external casing is Alpine White in color and is made from stove enameled sheet steel with plastic trim.

- › Thermostat built into unit
- › Selectable temperature range from 45°F - 86°F
- › Draft free, silent operation
- › Frost protection setting
- › Three year warranty



### Applications

**Ideal for:**

- › Bathrooms
- › Bedrooms
- › Basements
- › Playrooms
- › Baseboard Heater Replacement
- › 3-Season Porches
- › Cabins
- › Mobile Homes
- › Offices

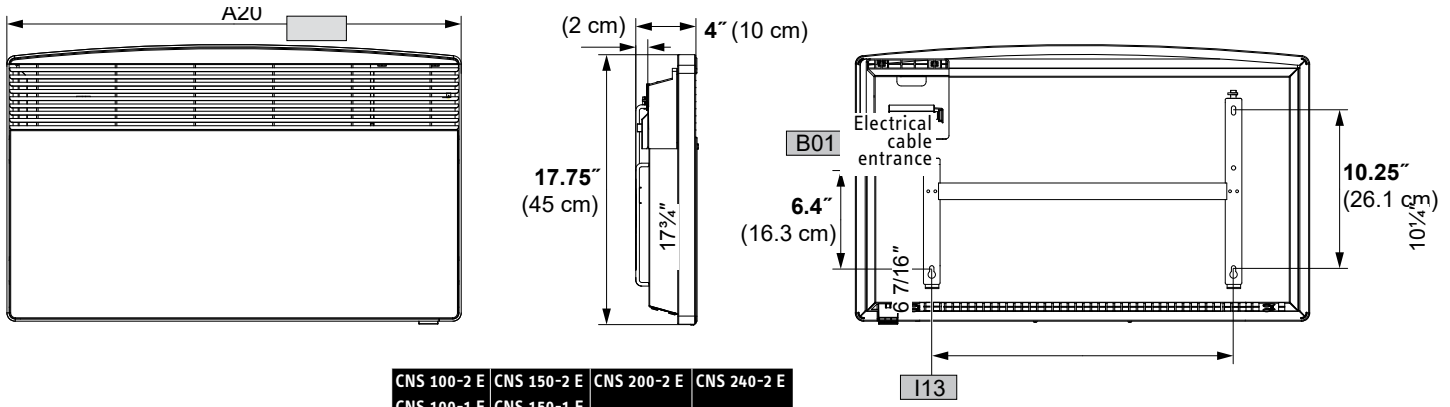
### Specifications

Model	CNS 100-2 E		CNS 150-2 E		CNS 200-2 E		CNS 240-2 E		CNS 100-1 E	CNS 150-1 E
Item number	231543		231544		231545		231546		233586	233587
Voltage	240 v or 208 v		240 v or 208 v		240 v or 208 v		240 v or 208 v		120 v	120 v
Wattage	1000 w	750 w	1500 w	1125 w	2000 w	1500 w	2400 w	1800 w	1000 w	1500 w
Amperage	4.2 A	3.6 A	6.3 A	5.4 A	8.3 A	7.2 A	10.0 A	8.7 A	8.3 A	12.5 A
Btu/hr	3412		2559		5118		3839		6824	5118
Required circuit breaker size <sup>1</sup>	15 A		15 A		15 A		15 A		15 A	15 A
Required wire size (copper)	14 AWG		14 AWG		14 AWG		14 AWG		14 AWG	14 AWG
Temperature range	45 °F-86 °F (7 °C-30 °C)									
Frost protection setting	45 °F (7 °C)									
Height	17 3/4" (45.0 cm)									
Width	17 1/2" (44.5 cm)		23 1/4" (59.0 cm)		29 1/8" (74.0 cm)		35 1/16" (89.0 cm)		17 1/2" (44.5 cm)	23 1/4" (59.0 cm)
Depth	3 15/16" (10 cm)									
Weight	9.7 lb (4.4 kg)		12.6 lb (5.7 kg)		15.0 lb (6.8 kg)		17.9 lb (8.1 kg)		9.7 lb (4.4 kg)	12.6 lb (5.7 kg)
Equivalent Baseboard <sup>2</sup>	4'		6'		8'		9.6'		4'	6'
Room size estimate <sup>3</sup>	100 sq.ft.		150 sq.ft.		200 sq.ft.		240 sq.ft.		100 sq.ft.	150 sq.ft.

<sup>1</sup> This is our recommendation as the manufacturer. Check local codes for compliance if necessary.

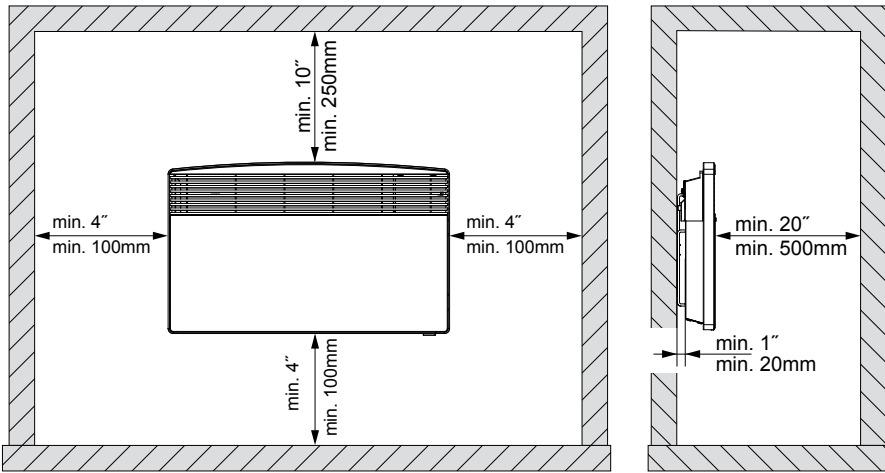
<sup>2</sup> For comparison purposes only. Exact equivalent will depend on your climate. <sup>3</sup> Based on average insulation

# Dimensions & clearances



CNS 100-2 E	CNS 150-2 E	CNS 200-2 E	CNS 240-2 E
CNS 100-1 E	CNS 150-1 E		
17.5 / 445	23.25 / 590	29.1 / 740	35.0 / 890
7.7 / 195	13.5 / 343	19.3 / 491	25.2 / 639

A20 Appliance width in/mm  
 i13 Wall mounting bracket hole spacing in/mm



Conforms to ANSI/UL Std. 2021  
 Certified to CAN/CSA Std. 22.2 No. 46



# Specification

Contractor shall supply and install Stiebel Eltron CNS-E electric heater(s) of the wattage and voltage specified on the plan. Heater(s) shall be surface-mounted fan-less convection type. Heater(s) shall have a body constructed of stove enameled sheet steel in Alpine White color. Heater(s) shall have a selectable temperature range of 45°F to 86°F (7°C to 30°C), and a frost protection setting which switches on the heating element automatically if the room temperature drops below the frost protection temperature of 47°F (7°C). Heater(s) shall be capable of control with either built-in thermostat or wired to an existing wall thermostat. Heater(s) shall be mounted with a minimum clearance from the finished floor and from the left and right sides of at least 4", a minimum clearance to the top of the heater of at least 10", and a minimum clearance to the back of the heater of at least 1". Heater(s) shall have an electrical cable entrance on the right side. Heater(s) shall be ETL listed to conform to ANSI/UL Std. 2021 and certified to CAN/CSA C22.2 No. 46.

Engineer/Architect _____	Date _____
Job Name/Customer _____	Location _____
Contractor _____	Representative _____
	Qty                      W                      Voltage                      Amps
CNS-E model _____	_____