

STIEBEL ELTRON

Simply the Best

Stiebel Eltron Renewables

Solar Hot Water
Heat Pump Water Heater

Retail Price List 2015.1



Table of Contents

STIEBEL ELTRON

Simply the Best

1-4	SOLkit 1,2 & 3
5-13	Collectors, racking & flashing components
14-18	Solar storage tanks & accessories
18-20	Solar pump stations & accessories
21-22	Flexible linesets & expansion tanks
23-27	Differential controllers & accessories
28	Outdoor insulation & hardware
29-30	Replacement parts
31-32	Stiebel Eltron tankless water heaters
33-34	Accelera® heat pump water heaters
35-39	Overstock items
Back cover	Part number and price table

Introduction

Welcome to Stiebel Eltron Renewables

Stiebel Eltron celebrates its 91st birthday this year, and since 1924 has been renowned for high quality, well-engineered products. For almost half that time, since the 1970s, we have supplied the world with the best of both solar hot water equipment and heat pumps.

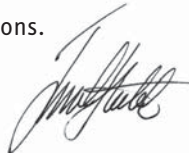
While we believe the future of solar hot water in the United States is strong, we are certain the demand for renewable energy through heat pumps will become greater and greater as the U.S. responds to the crisis of climate change. To help meet this demand, and also to better serve you, we are expanding our Solar Thermal Department into a Stiebel Eltron Renewables Department.

This catalog and price list is the first from this new department. We will continue to provide the outstanding solar hot water equipment we always have, but with even more capability than before. Our sales and technical team can customize solar hot water systems even beyond what is in this price list. Our complete team of engineers, designers, and former contractors is here to help you with solar hot water any way we can, including:

- › Computer simulations of expected system performance
- › System design drawings
- › Installation consulting support

The new Stiebel Eltron Renewables department will also focus on our Accelera® family of heat pump water heaters, the largest selling heat pump water heaters in Europe. They were engineered to use their heat pump, not the back-up element, to make the majority of hot water. We don't call them "hybrids." They're true heat pump water heaters. The low energy consumption of their heat pump can easily be offset by a small PV array. The back-up element of the Accelera® 300 can be completely disabled, and with the heat pump's low electrical load, could even be installed off-grid. Whether off-grid or grid-tied, Accelera® offers renewable energy savings where solar hot water is not possible.

We are confident that you will like what you see in this price list. Feel free to contact our Renewables Department with any questions.



Frank Stiebel, President
March, 2015

Renewables Department Team	Title	Email	Direct phone
Chris Wetherby	Department Head	chris.wetherby@stiebel-eltron-usa.com	413.349.4924
Donavin Gratz	Sales & tech. support	donavin.gratz@stiebel-eltron-usa.com	413.239.3098
Hunter Allen	Sales & tech. support	hunter.allen@stiebel-eltron-usa.com	413.248.4140
Ernie Wilson	Tech. support & system design	ernie.wilson@stiebel-eltron-usa.com	413.349.4919
Michael Dion	Tech. support & system design	mike.dion@stiebel-eltron-usa.com	413.349.4918
Chirag Patel	Order processing & purchasing	chirag.patel@stiebel-eltron-usa.com	413.349.4920

Residential Solar Kits

STIEBEL ELTRON

Simply the Best

Stiebel Eltron residential solar kits are configured to suit the needs of many different household sizes. No matter the climate zone, there is a solar kit that will fit the customer's budget and lifestyle. Use the following pages to find the right kit. **If the available options don't seem right, contact us and we can design a custom system for any residence or commercial application.**

Residential Solar Kit 1

- › Collectors and racks made in the USA
- › Tank comes with built-in electric backup for all-in-one solution
- › 10 year warranty on collectors, racks & tanks



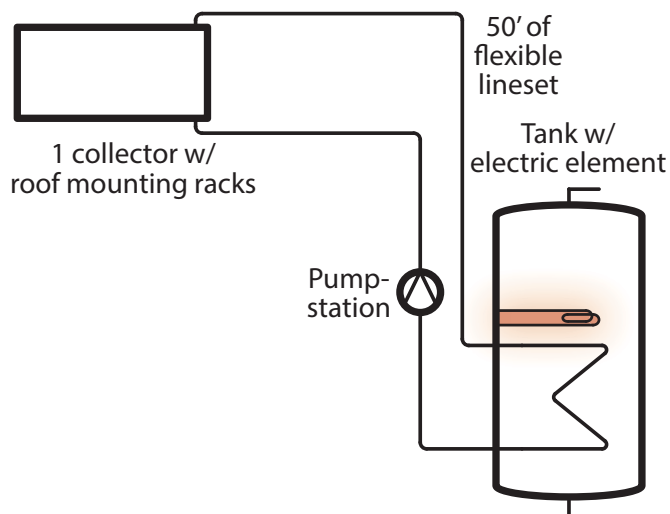
Part #:	612501
1 - SOL 27 Premium S Collector	✓
Flush Mount Kit for Asphalt Roof	✓
SOL-FLEX Stainless Steel Lineset (50 ft.)	✓
SB 300 E Storage Tank	✓
SE Flowstar Pump Station Kit	✓
SOM 6 Plus Solar Controller	✓
Propylene Glycol (10 gal.)	✓
MSRP:	\$6,280

Optional Add-on Parts:	Part #	MSRP*
Pre-cooling Vessel	560012	\$87
SOM 7 Plus Controller	230142	\$100
DL2 Datalogger w/ SolarWave	560005	\$475
Electronic Anode Kit	570300	\$476
Propylene Glycol (5 gal.)	074200	\$126

*Price indicates **additional** MSRP over the original included part

Alternative Racking:	MSRP*
Raised Seam Roof Kit	-\$60
45° Tilt Racking	\$395
30-60° Tilt Racking	\$423

*Price indicates **additional** MSRP over the original included part



Stiebel Eltron SOLkit 1 is designed for a 1-2 person household anywhere in the contiguous United States. This is designed to offset a moderate amount of conventional fuel usage to heat domestic hot water (DHW). 80 gallons of storage facilitates the efficient transfer of energy out of the collectors.

Residential Solar Kit 2

- › Collectors and racks made in the USA
- › Tank comes with built-in electric backup for all-in-one solution
- › 10 year warranty on collectors, racks & tanks



Part #:	612502
2 - SOL 27 Premium S Collectors	✓
Flush Mount Kit for Asphalt Roof	✓
SOL-FLEX Stainless Steel Lineset (50 ft.)	✓
SB 300 E Storage Tank	✓
SE Flowstar Pump Station Kit	✓
SOM 6 Plus Solar Controller	✓
Propylene Glycol (10 gal.)	✓
MSRP:	\$7,870

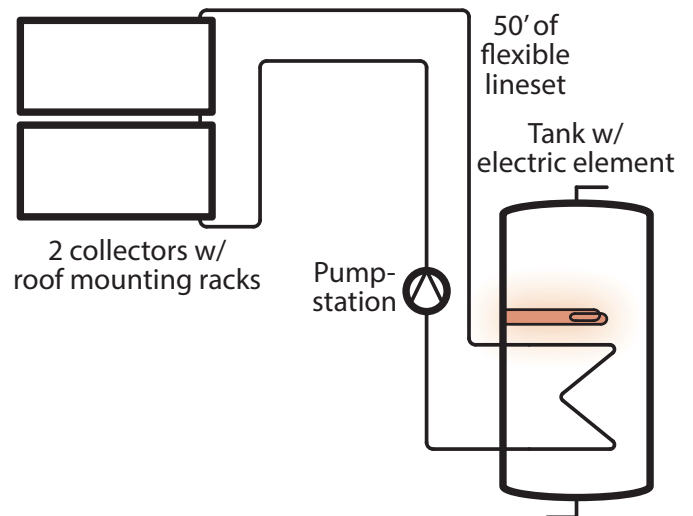


Optional Add-on Parts:	Part #	MSRP*
SB 400 E Storage Tank		
Pre-cooling Vessel	560012	\$87
SOM 7 Plus Controller	230142	\$100
DL2 Datalogger w/ SolarWave	560005	\$475
Electronic Anode Kit	570300	\$476
Propylene Glycol (5 gal.)	074200	\$126

*Price indicates **additional** MSRP over the original included part

Alternative Racking:	MSRP*
Raised Seam Roof Kit	-\$90
45° Tilt Racking	\$347
30-60° Tilt Racking	\$375

*Price indicates **additional** MSRP over the original included part



Stiebel Eltron SOLkit 2 is designed for a 2-3 person household anywhere in the contiguous United States. This is designed to offset a majority of conventional fuel usage to heat domestic hot water (DHW). 80 gallons of storage allows for the extraction of every bit of energy out of the collectors.

Residential Solar Kit 3

- › Collectors and racks made in the USA
- › Tank comes with built-in electric backup for all-in-one solution
- › 10 year warranty on collectors, racks & tanks



Part #:	612503
3 - SOL 27 Premium S Collectors	✓
Flush Mount Kit for Asphalt Roof	✓
SOL-FLEX Stainless Steel Lineset (50 ft.)	✓
SB 400 E Storage Tank	✓
SE Flowstar Pump Station Kit	✓
SOM 6 Plus Solar Controller	✓
Propylene Glycol (10 gal.)	✓
MSRP:	\$9,612

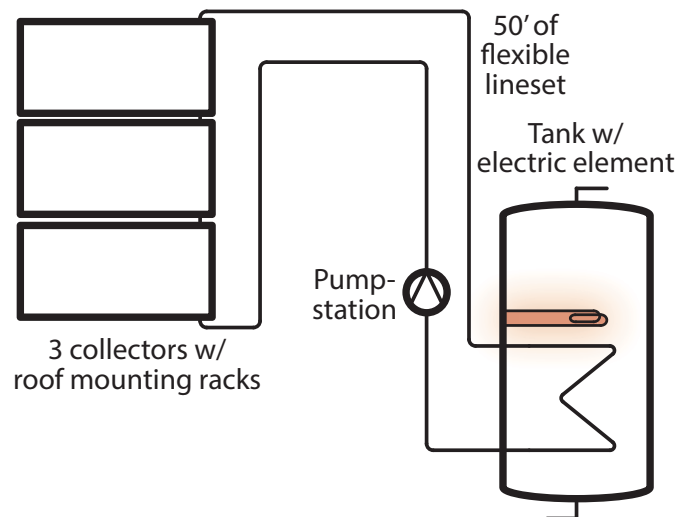


Optional Add-on Parts:	Part #	MSRP*
Pre-cooling Vessel	560012	\$87
SOM 7 Plus Controller	230142	\$100
DL2 Datalogger w/ SolarWave	560005	\$475
Electronic Anode Kit	570300	\$476
Propylene Glycol (5 gal.)	074200	\$126

*Price indicates **additional** MSRP over the original included part

Alternative Racking:	MSRP*
Raised Seam Roof Kit	-\$120
45° Tilt Racking	\$529
30-60° Tilt Racking	\$581

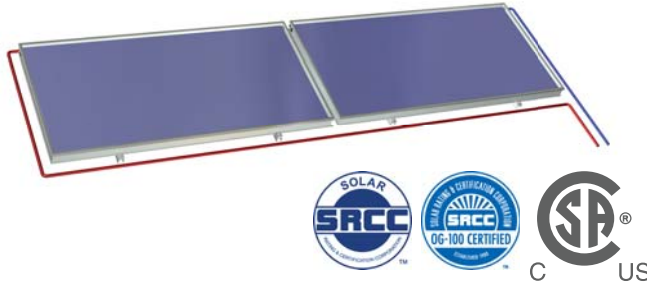
*Price indicates **additional** MSRP over the original included part



Stiebel Eltron SOLkit 3 is designed for a 3-4 person household anywhere in the contiguous United States. This is designed to offset a significant amount of conventional fuel usage to heat domestic hot water (DHW). 105 gallons of storage allows for the extraction of every bit of energy out of the collectors.

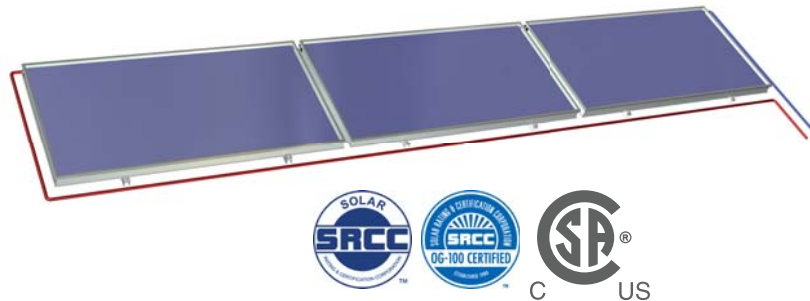
Wide Residential Solar Kits

SOLkit 2 W



Part #: 612512	SOLkit 2 W
2 - SOL 27 Premium W Collectors	√
Flush Mount Kit for Asphalt Roof	√
SOL-FLEX Stainless Steel Lineset (50 ft.)	√
SB 300 E Storage Tank	√
SE Flowstar Pump Station Kit	√
SOM 6 Plus Solar Controller	√
Propylene Glycol (10 gal.)	√
MSRP:	\$8,035

SOLkit 3 W



Part #: 612513	SOLkit 3 W
3 - SOL 27 Premium W Collectors	√
Flush Mount Kit for Asphalt Roof	√
SOL-FLEX Stainless Steel Lineset (50 ft.)	√
SB 400 E Storage Tank	√
SE Flowstar Pump Station Kit	√
SOM 6 Plus Solar Controller	√
Propylene Glycol (10 gal.)	√
MSRP:	\$10,100

Optional Add-on Parts:	Part #	MSRP*
Pre-cooling Vessel	560012	\$87
SOM 7 Plus Controller	230142	\$100
DL2 Datalogger w/ SolarWave	560005	\$475
Electronic Anode Kit	570300	\$476
Propylene Glycol (5 gal.)	074200	\$126

*Price indicates **additional** MSRP over the original included part

Alternative Racking:	Part #	SOLkit 1 W*	SOLkit 2 W*	SOLkit 3 W*
Raised Seam Roof Kit		-\$48	-\$96	-\$144
45° Tilt Racking		\$128	\$256	\$384
30-60° Tilt Racking		\$134	\$268	\$402

*Price indicates **additional** MSRP over the original included part

Add-on Parts

If you would like to modify parts included in the SOLkit, add these part numbers as a separate line item for listed MSRP multiplied by your discount.

The SOLkit 2 & 3 W provide performance equal to the standard SOLkit 2 & 3 but serve a different architectural niche. These kits come with the same parts as standard SOLkits 1,2 & 3, except racking is provided to lay the collectors across the roof.

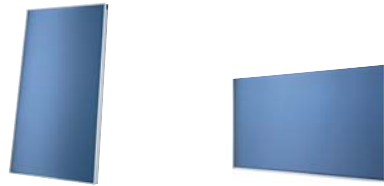
Individual Components

STIEBEL ELTRON

Simply the Best

SOL 27 Premium Collectors

- › OG-100 rated by the Solar Rating & Certification Corporation
- › Aluminum absorber with copper fluid tubes
- › Highly selective absorber plate coating
- › Low profile at 3" thickness
- › Low-iron tempered solar glass
- › 10 year warranty
- › Made in the USA



SOL 27 Premium S



	SOL 27 Premium S	SOL 27 Premium W
Part #	230016	230017
Total surface area	27.34 ft ²	
Absorber area	25.62 ft ²	
Collector connections	3/4" BSPP or 3/4" copper sweat	
Dimensions	85.5" x 46.1" x 3.8"	
Weight	88.2 lb	
MSRP:	\$1,249	\$1,249

Notes: When ordering SOL 27 Premium S, you must order 4 extra clips [S267510] per collector in mounting applications subject to wind load. These clips are provided free of charge.

A \$125.00 crating charge applies to a freight shipment of 1-5 collectors. \$150.00 crating charge for 6 or more collectors.

SOL 27 Premium collectors are also available in **black anodized** for architectural applications. For availability and more information, call or email the renewables department.

OG-100 Rating (kBTU/day)	SOL 27 Premium S	SOL 27 Premium W
High radiation C	30.4	31.3
Medium radiation C	21.2	21.8
Low radiation C	12.1	12.3

Connectors

SOL 27 Premium connectors

These connectors are designed to be quick to install with no tools necessary. Their rugged construction and redundant quad o-ring seal ensures a long-lasting, leak-free seal.



	Inlet/Outlet Connectors	Single Connector	Inter-panel Connector
Part #	230913	231683	230185
Material	316 stainless steel		
Connection to collector	Quad o-ring seal		
Connection to piping	3/4" BSPP male or 3/4" copper sweat		N/A
Description	1 inlet & 1 outlet connector for a solar array. The outlet connector comes with a temperature sensor.	1 inlet or outlet connector without a temperature sensor.	1 inter-panel connector for connecting collectors to each other.
MSRP:	\$188	\$75	\$63

Connectors (continued)



	Inlet/Outlet Connectors	Inter-panel Flex Connector	Brass Sweat Adapter
Part #	230186	230187	600185
Material	316 stainless steel		Brass
Connection to collector	Quad o-ring seal		
Connection to piping	3/4" BSPP male or 3/4" copper sweat	N/A	3/4" or 1"
Description	1 inlet & 1 outlet connector for a solar array. The outlet connector comes with a temperature sensor. Also includes 3' flexible hose.	1 flexible inter-panel connector for custom connections between two collectors.	This brass sweat adapter fits onto the quad O-ring connection of the SOL 27 connectors and adapts to 3/4" or 1" copper pipe.
MSRP:	\$204	\$95	\$25

Note: One connector with a sensor well must be included per system. Either [230913] or [230186] will be sufficient.



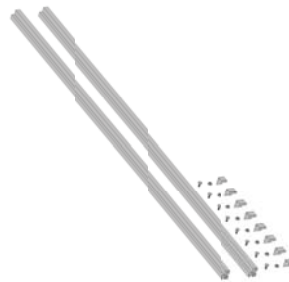
Inter-panel connector [230185] between 2 SOL 27 Premium collectors

Required connector quantities	Solar Array Size			
Part #	1 collector	2 collectors	3 collectors	4 collectors
230913	1	1	1	1
230185	0	1	2	3

Mounting Hardware

SOL 27 Mounting Hardware

These aluminum mounting kits are designed to secure to SOL 27 Premium collectors and allow them to secure to Stiebel Eltron racking systems, or third party racking systems.

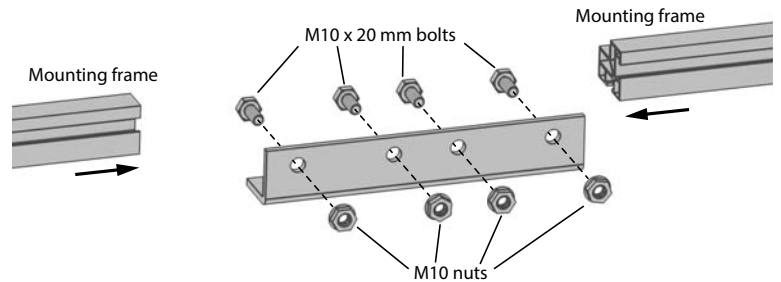
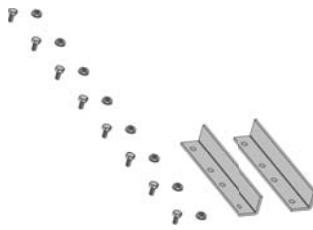


	Single Mounting Frame (Short)	Double Mounting Frame	Single Mounting Frame (Wide)
Part #	230169	230170	230920
Material	6061 Aluminum		
Length	47"	95"	87"
Description	Mounting frame for 1 SOL 27 Premium collector in vertical orientation.	Mounting frame for 2 SOL 27 Premium collectors in vertical orientation.	Mounting frame for 1 SOL 27 Premium collector in horizontal orientation.
Kit includes	2 mounting frames, 4 fastening clips, 4 M10 bolts & nuts	2 mounting frames, 8 fastening clips, 8 M10 bolts & nuts	2 mounting frames, 4 fastening clips, 4 M10 bolts & nuts
MSRP:	\$81	\$133	\$122

Note: Mounting Hardware is to be used in conjunction with tilt and flush mount racks. Use with these racks: [560101], [560102], [560201], [560203], [560104] & [560106].

Mounting Hardware (continued)

Frame Connector Kit
The heavy duty aluminum frame connecting splices easily and securely connect two SOL 27 Premium mounting frames together.

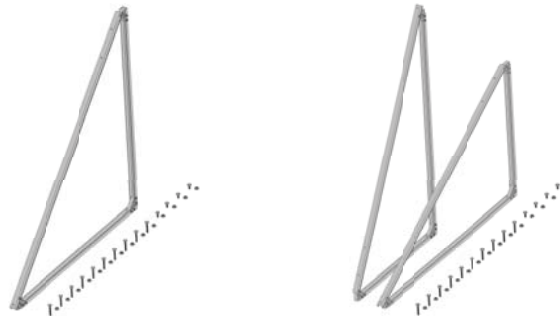


The frame connector kit is easy to assemble, with only four bolts per frame connection.

Frame Connector Kit	
Part #	SFC 001
Description	Frame connector kit for connecting 2 mounting frames together.
Kit includes	2 frame connecting splices, 8 M10 bolts & nuts
MSRP:	\$40

Vertical Tilt Racks

Tilt racking hardware
These aluminum racks are made in the USA and are designed to endure harsh conditions anywhere. The U-channel rails are rigid, and are constructed from 6061 aluminum with a T6 temper and anodized with a clear finish.



U-shaped extrusion is designed to maintain rigidity and strength in adverse conditions.

Vertical Tilt Racks	Vertical 45° Rack	Vertical 30-60° Rack
Part #	560101	560102
Description	Tilt rack used for mounting SOL 27 Premium collectors in portrait orientation at an angle of 45°.	Tilt rack used for mounting SOL 27 Premium collectors in portrait orientation at an angle of 60 or 30°.
Kit includes	3 U-channel rails, 3 tilt brackets, 14 M10 bolts & nuts	3 U-channel rails, 3 tilt brackets, 14 M10 bolts & nuts
MSRP:	\$263	\$224

Note: Tilt racks are to be used in conjunction with SOL 27 Premium mounting frames. Use with these frames: [230169], [230170] & [230920].

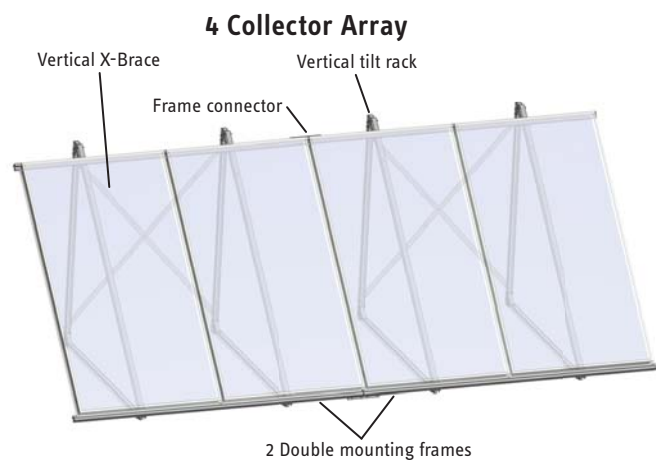
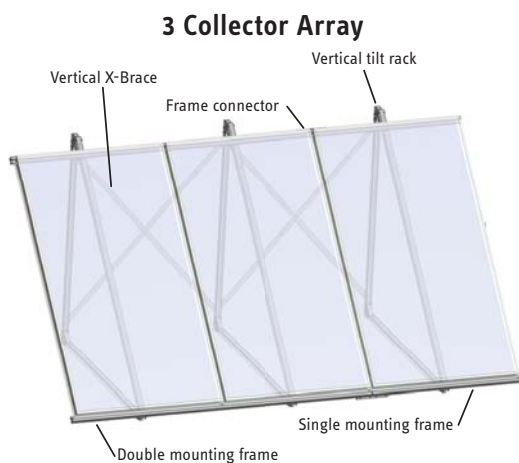
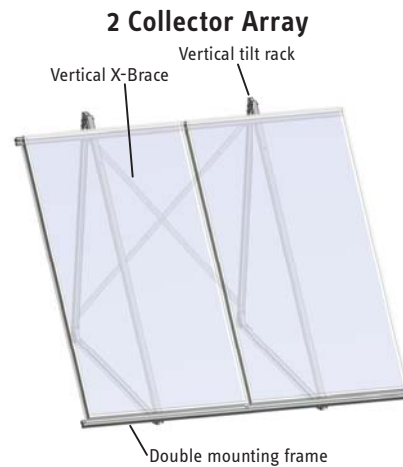
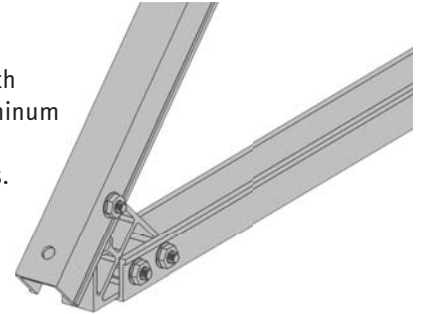
Vertical X-Brace	
Part #	560106
Description	X-Brace kit provides cross-bracing for 2 vertical tilt racks.
Kit includes	2 cross-brace pieces, 1 M6 bolt nut, 4 M10 bolts & nuts
MSRP:	\$90



Vertical Tilt Racks (continued)

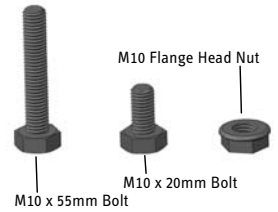
Vertical Rack Configurations	# of Collectors in Array			
	1	2	3	4
	# of Parts Needed			
Vertical tilt racks	2	2	3	4
Vertical X-Brace	1	1	2	2
Frame connector kit	0	0	1	1
Single mounting frame (short)	1	0	1	0
Double mounting frame	0	1	1	2

Tilt racks are constructed with Aluminum U-channels, aluminum tilt connectors, and stainless steel bolts and nuts.



Notes: For a single vertical collector, use 2 vertical tilt racks and 1 vertical X-Brace. For arrays of 2 or more vertical collectors, use 1 vertical tilt rack per collector, and 2 vertical X-Braces for arrays of 3 or 4 vertical collectors.

Horizontal Tilt Racks



Tilt racking hardware These aluminum racks are made in the USA and are designed to endure harsh conditions anywhere. The U-channel rails are rigid, and are constructed from 6061 aluminum with a T6 temper and anodized with a clear finish. The bolts and nuts are made of 316L stainless steel.

Horizontal Tilt Racks	Horizontal 45° Rack	Horizontal 30-60° Rack
Part #	560201	560203
Description	Tilt rack used for mounting 1 SOL 27 Premium collector in landscape orientation at an angle of 45°.	Tilt rack used for mounting SOL 27 Premium collectors in landscape orientation at an angle of 60 or 30°.
Kit includes	3 U-channel rails, 3 tilt brackets, 14 M10 bolts & nuts	3 U-channel rails, 3 tilt brackets, 14 M10 bolts & nuts
MSRP:	\$158	\$158

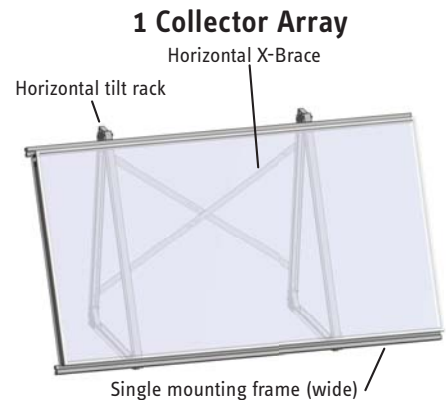
Note: Tilt racks are to be used in conjunction with SOL 27 Premium mounting frames. Use with these frames: [230920].

Horizontal X-Brace	
Part #	560206
Description	X-Brace kit provides cross-bracing for 2 horizontal tilt racks.
Kit includes	2 cross-brace pieces, 1 M6 bolt nut, 4 M10 bolts & nuts
MSRP:	\$75

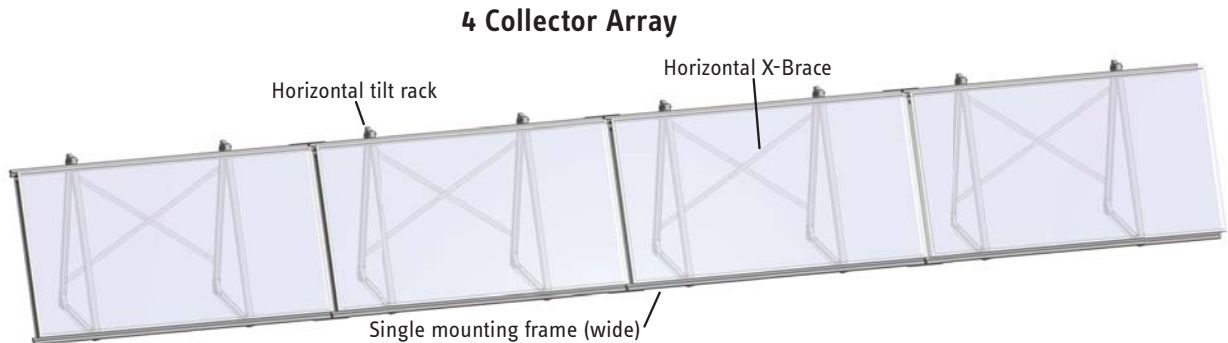


Horizontal Rack Configurations	# of Collectors in Array			
	1	2	3	4
	# of Parts Needed			
Horizontal tilt racks	2	4	6	8
Vertical X-Brace	1	2	3	4
Frame connector kit	0	1	2	3
Single mounting frame (wide)	1	2	3	4

Notes: For a single horizontal collector, use 2 horizontal tilt racks and 1 horizontal X-Brace. For arrays of 2 or more horizontal collectors, multiply the amounts for 1 collector by the number of panels in the array.



Horizontal Tilt Racks (continued)



Horizontal Adjustable Rack Kits

Horizontal adjustable racks

These aluminum rack kits have been designed to be easily assembled in the field. They come partially pre-assembled, and can be ready to go from the box to the roof in under 10 minutes. All racking and mounting components are included in this kit, except for roof connection kits.



Horizontal Adjustable Rack Kit	Low Angle Rack Kit (10-20°)	Mid Angle Rack Kit (20-30°)	High Angle Rack Kit (35-45°)
Part #	560301	560302	560303
Description	Adjustable rack used for mounting 1 SOL 27 Premium collector in landscape orientation at an angles of 10, 15 & 20°.	Adjustable rack used for mounting 1 SOL 27 Premium collector in landscape orientation at an angles of 20, 25 & 30°.	Adjustable rack used for mounting 1 SOL 27 Premium collector in landscape orientation at an angles of 35, 40 & 45°.
Kit includes	2 horizontal adjustable racks	2 horizontal adjustable racks	2 horizontal adjustable racks
MSRP:	\$240	\$245	\$260

Note: Tilt racks are to be used in conjunction with SOL 27 Premium mounting frames

Use with these frames: [**230920**].

Use with these X-Braces: [**560206**].

Pre-assembly

These racks are partially pre-assembled in our factory to reduce installation time in the field.



Flush Mount Rail Kits

Flush mount rail kits

These kits are specially designed to speed up installation time by eliminating the need for mounting frames. Rivet nuts are pressed into the aluminum U-channel so all that is needed to tighten the clips is a ratchet and socket. The fluid flows up the rake of the roof, promoting ideal emptying behavior when the collectors are in stagnation. This helps to preserve the life of the solar fluid.

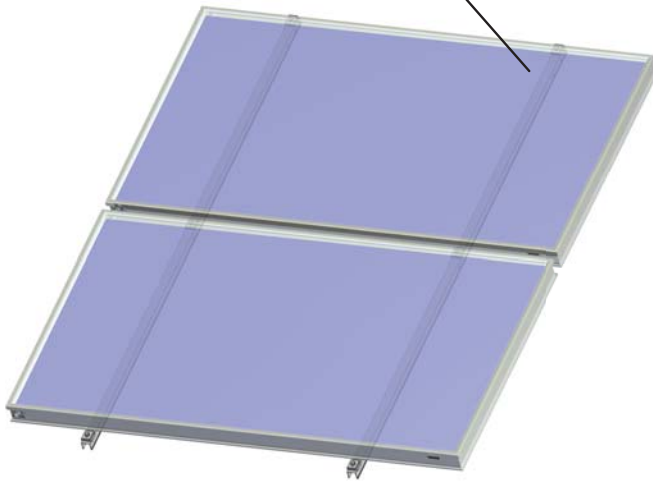


	2 Collector Flush Mount Rail Kit	Extension Rail Kit
Part #	560401	560402
Description	Kit is for 2 SOL 27 Premium S collectors mounted in a landscape orientation.	Kit is for adding a 3 rd and 4 th collector to the 2 collector flush mount kit.
Kit includes	2 flush mount rails & 6 fastening brackets	2 extension rails, 2 fastening brackets, 2 rail splices, 4 M10 bolts & nuts
MSRP:	\$236	\$135

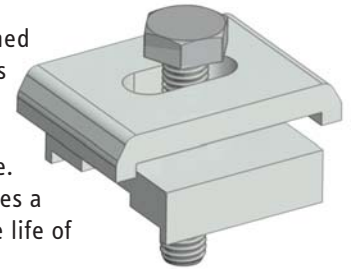
Note: For asphalt shingled roofs, use only L-bracket flashing kits [560105L].

2 Collector Array

2 collector flush mount rail

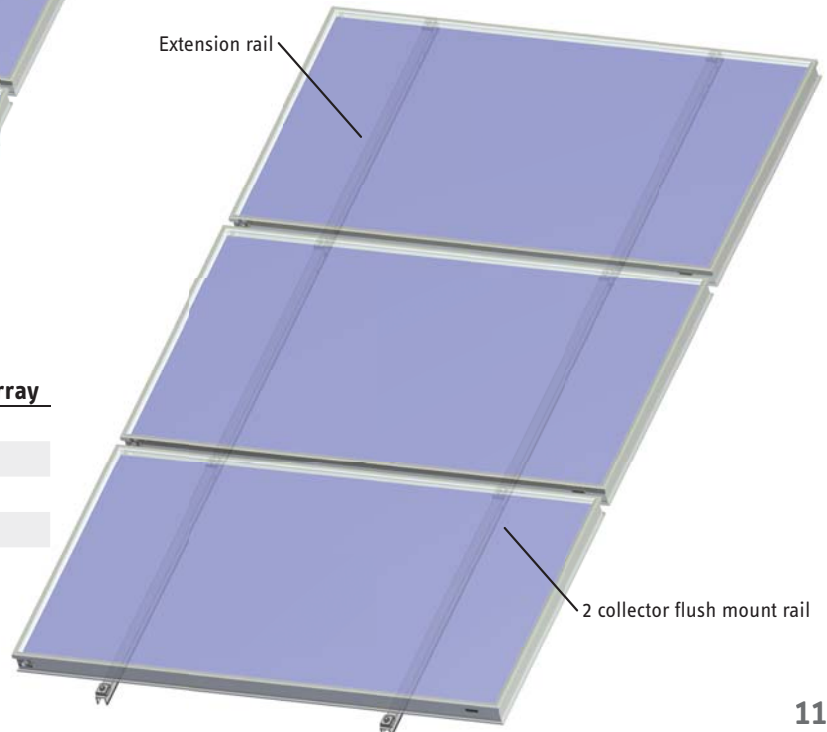


The completely re-designed fastening bracket reduces installation times and ensures the collectors are held securely in place. The rugged design ensures a secure connection for the life of the system.



3 Collector Array

Extension rail

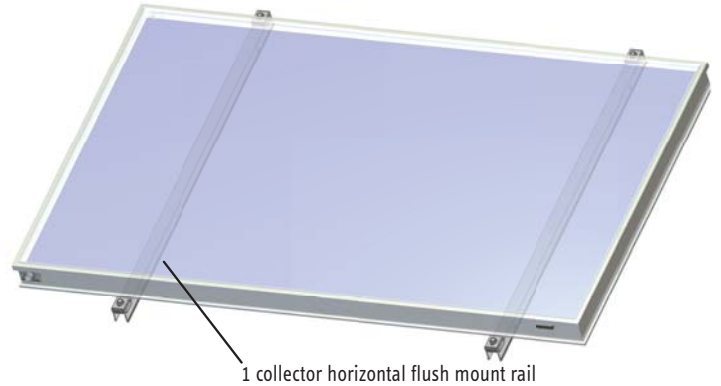
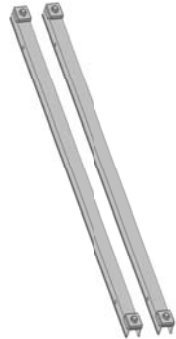


2 collector flush mount rail

Flush Mount Rack Configurations	# of Collectors in Array		
	2	3	4
	# of Parts Needed		
2 collector flush mount rail kit	1	1	1
Extension rail kit	0	1	1

Horizontal Flush Mount Rail Kit

Horizontal flush mount rail kits
This kit operates in a similar way to the flush mount kits, but is designed for collector layouts along the eave of a roof instead of up one. The rugged fastening brackets are easily installed.

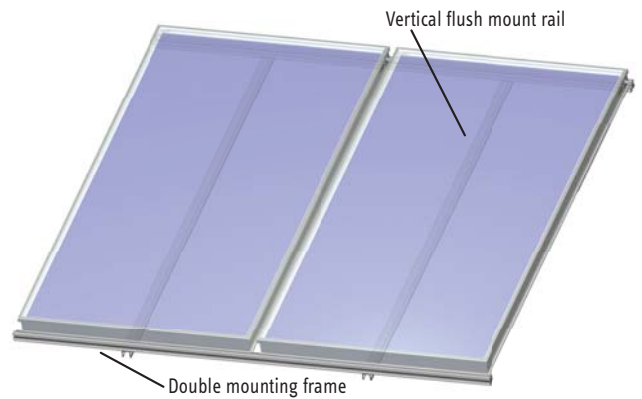


Horizontal Flush Mount Rail Kit	
Part #	560403
Description	Kit is for 1 SOL 27 Premium collector mounted in a landscape orientation. A multiple collector array is can be configured side-by-side. The collector can be either a SOL 27 Premium S or W depending on the flow scheme.
Kit includes	2 flush mount rails & 4 fastening brackets
MSRP:	\$148

Note: For asphalt shingled roofs, use only L-bracket flashing kits [560105L].

Vertical Flush Mount Rails

Vertical flush mount rail
This rail is intended to be installed with SOL 27 Premium mounting frames. The U-channel rail comes pre-drilled for easy mounting to the roof hardware and to the collectors.



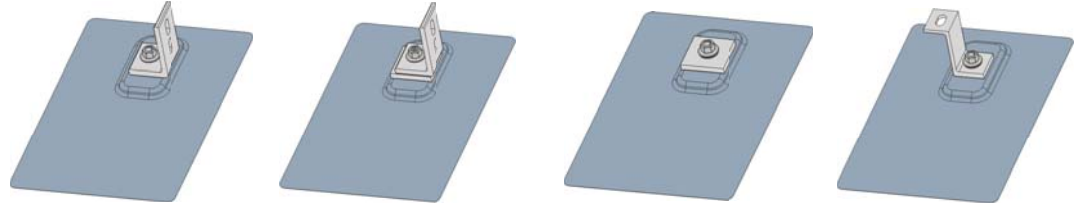
Vertical Flush Mount Rail	
Part #	560104-27
Description	These rails are for mounting SOL 27 Premium collectors flush to a roof. They are designed to work with mounting frames and collectors in a portrait orientation.
Includes	1 flush mount rail
MSRP:	\$70

Vertical Flush Mount Configurations	# of Collectors in Array			
	1	2	3	4
	# of Parts Needed			
Vertical flush mount rail	2	2	3	4
Single mounting frame (short)	1	0	0	0
Double mounting frame	0	1	1	2
Frame connector kit	0	0	1	1

Asphalt Roof Mount Flashing Kits

QuikFoot flashing kits

These kits are designed to be installed on most shingle roofs. No modifications need to be made to the roof for installation. They meet or exceed all known building codes and are tested for pullout and shear.

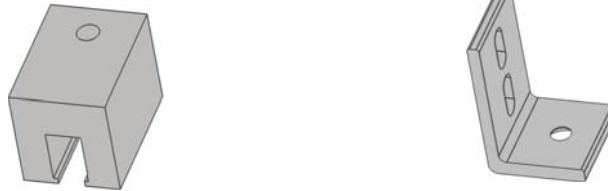


QuikFoot Flashing Kits	L-Bracket Flashing Kit	SQL-Bracket Flashing Kit	SQ-Bracket Flashing Kit	Z-Bracket Flashing Kit
Part #	560105L	560105SQL	560105SQ	560105Z
Description	Flashing sheet with aluminum L-shaped bracket for fastening to the solar racking system.	Flashing sheet with aluminum L-shaped and square bracket for extra clearance in flush mount situations.	Flashing sheet with aluminum square bracket for low-clearance in a tilt rack systems.	Flashing sheet with aluminum Z-shaped bracket for extra clearance in tilt rack systems.
Kit includes	Flashing sheet, L-Bracket & all required bolts & nuts	Flashing sheet, SQ & L-Brackets & all required bolts & nuts	Flashing sheet, SQ-Bracket & all required bolts & nuts	Flashing sheet, Z-Bracket & all required bolts & nuts
Applications	Flush mount	Flush mount (with extra clearance needed)	Tilt racks	Tilt racks (with extra clearance needed)
MSRP:	\$46	\$51	\$43	\$50

Raised-seam Roof Mounting

Raised-seam roof hardware

The design of the S5U clamp allows a solar array to be mounted on most raised-seam roof profiles. Its simple design and multiple hole locations make it versatile and easy to use.



Raised-seam Roof Hardware	S5U Clamp	L-Bracket
Part #	S5U	S560254
Description	Universal fastening bracket for most raised-seam roof applications.	L-Bracket attaches to S5U clamp for use with flush mount racking.
Includes	S5U clamp and set screws	L-Bracket
Applications	All mounting situations.	Add to the S5U clamp if using in flush mount situations.
MSRP:	\$22	\$12

Roof Mounting Hardware Quantities	# of Collectors in Array			
	1	2	3	4
	# of Parts Needed			
Vertical tilt racks	4	4	6	8
Horizontal tilt racks	4	8	12	16
Flush mount rail kits	N/A	6	8	10
Horizontal flush mount rails	4	8	12	16
Vertical flush mount rails	4	4	6	8

Use this chart to figure out the quantities needed to mount certain racking styles to a roof. The quantities will be the same for either Raised-seam hardware or asphalt roof hardware.

SB E Domestic Hot Water Storage Tanks with Electric Backup

SB E Storage Tanks

These storage tanks are rugged and designed for a long service life. The vessel is constructed from heavy gauge steel and porcelain enamel coated. 2" of foam insulation ensures low standby loss. The anode rod is replaceable and includes a wear indicator. The outer jacket is powder-coated steel for a rugged and aesthetic exterior.



SB Storage Tanks	SB 300 E	SB 400 E
Part #	234110	234111
Description	Storage tank with 3 kW electric element, internal coil heat exchanger, and auxiliary heating ports. Electric element is removable and replaceable without draining the tank.	
Kit includes	Storage tank, 100 PSI T&P valve preinstalled	
Warranty	Limited lifetime tank & heat exchanger, 8 years auxiliary parts, anode rod excluded*	
MSRP:	\$2,099	\$2,499

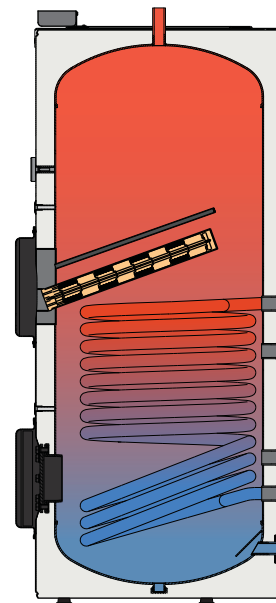
*See complete warranty on our website for details

Specifications	SB 300 E	SB 400 E
Part #	234110	234111
Storage capacity	79.3 gal	105.6 gal
Heating element capacity	3.0 kW	
Required breaker size	20 A	
Thermostat setpoint range	86-167°F	
Empty weight	313 lb	399 lb
24 hr. standby loss	9,553 BTU	10,236 BTU
Height	61"	
Diameter with insulation	25.6"	29.5"
Thickness of insulation	2"	
Working pressure	145 PSI	
Maximum tank temperature	203°F	
Heat exchanger power rating	150,000 BTU/hr	164,000 BTU/hr
Inlet 50°F, Outlet 140°F		

Tank connections

Hot water outlet	1" NPT male
Cold water inlet	1" NPT male
Heat exchanger ports	1" NPT female
Auxiliary ports	1" NPT female
T&P valve port	3/4" NPT female

Notes: A \$75 crating charge applies when being shipped freight.



**SB 300/400 E
Solar Storage Tank**



Intertek
Certified to UL Std. 174
Conforms to CAN/CSA
C22.2 No. 110-94



The 3kW backup electric heating element is replaceable without draining the tank.

SBB Domestic Hot Water Storage Tanks

SBB Storage Tanks

These storage tanks are made in Germany. They are rugged and designed for a long service life. The vessel is constructed from heavy gauge steel and porcelain enamel coated. 3" of foam insulation ensures ultra-low standby loss. The anode rod is replaceable and includes a wear indicator.



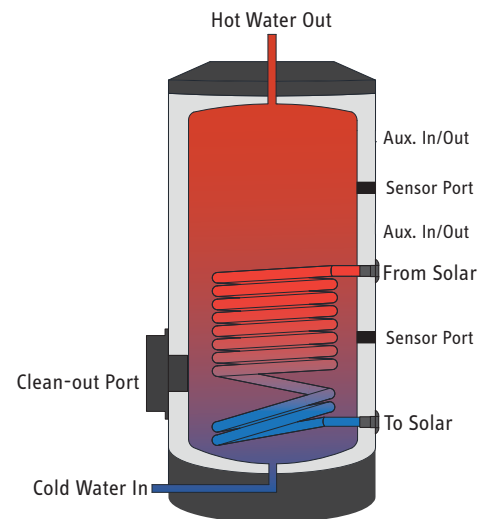
SBB S Storage Tanks	SBB 300 S	SBB 400 S
Part #	221219	221222
Description	82 gallon storage tank with single heat exchange coil.	110 gallon storage tank with single heat exchange coil.
Kit includes	Storage tank, NPT connection nipples, T&P valve & all necessary connectors	
Warranty	Limited lifetime tank & heat exchanger, 8 years auxiliary parts, anode rod excluded*	
MSRP:	\$1,999	\$2,199

*See complete warranty on our website for details

Notes: The standard tank connections are 1" BSPP connections, but adapters for 3/4" & 1" BSPP connections are included.

A \$75 crating charge applies when being shipped freight.

Specifications	SBB 300 S	SBB 400 S
Part #	221219	221222
Empty weight	292 lb	371 lb
24 hr. standby loss	6500 BTU	7500 BTU
Height	66.1"	72.7"
Diameter with insulation	27.55"	29.52"
Thickness of insulation	3"	
Working pressure	150 PSI	
Max. HX temperature	266°F	
Bottom HX output rating	150,000 BTU/hr	164,000 BTU/hr



SBB 300/400 S Solar Storage Tank



SBB Plus Storage Tanks	SBB 300 Plus	SBB 400 Plus	SBB 600 Plus
Part #	187873	187874	187875
Description	80 gallon storage tank with two heat exchange coils.	108 gallon storage tank with two heat exchange coils.	162 gallon storage tank with two heat exchange coils.
Kit includes	Storage tank, NPT connection nipples, T&P valve & all necessary connectors		
Warranty	Limited lifetime tank & heat exchanger, 8 years auxiliary parts, anode rod excluded*		
MSRP:	\$2,299	\$2,499	\$2,699

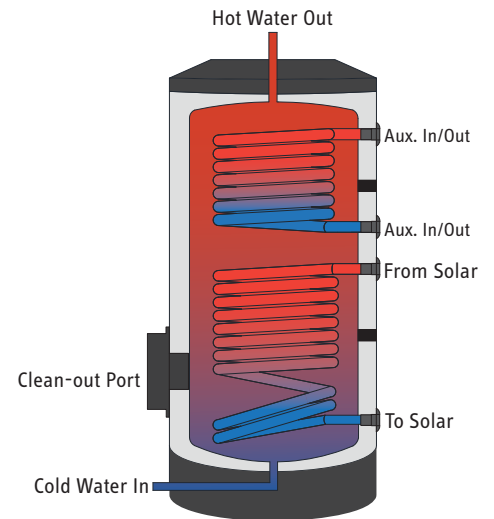
*See complete warranty on our website for details

Notes: The standard tank connections are 1" BSPP connections, but adapters for 3/4" & 1" BSPP connections are included. The SBB 600 Plus tank is not rated as a pressure vessel by the ASME. A \$75 crating charge applies when being shipped freight, except for the SBB 600 Plus.

SBB Domestic Hot Water Storage Tanks (continued)

Specifications	SBB 300 Plus	SBB 400 Plus	SBB 600 Plus
Part #	187873	187874	187875
Empty weight	339 lb	412 lb	544 lb
24 hr. standby loss	6500 BTU	7500 BTU	10,000 BTU
Height	66.1"	72.7"	68.3"
Diameter with insulation	27.55"	29.52"	36.22" *
Thickness of insulation	3"		3.35" *
Working pressure	150 PSI		
Max. HX temperature	266°F		
Top HX output rating	111,000 BTU/hr	128,000 BTU/hr	182,000 BTU/hr
Bottom HX output rating	150,000 BTU/hr	164,000 BTU/hr	242,000 BTU/hr

* Insulation is partially removable to reduce width to 31.5" for transport

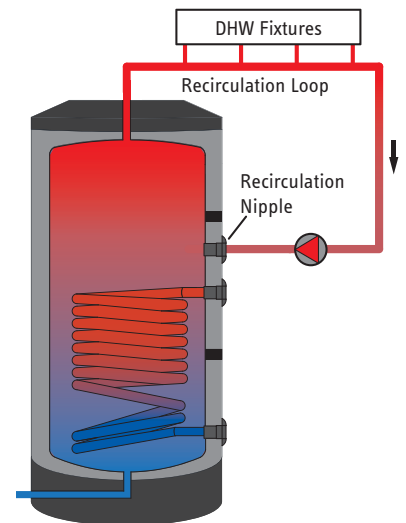


SBB 300/400/600 Plus Solar Storage Tank

Storage Tank Accessories



Recirculation Nipple	
Part #	S248999
Material	Brass
Connection to tank	1/2" BSPP
Connection to loop	3/4" copper sweat
Description	Adapts recirculation port threads to copper sweat for connection to a recirculation loop
MSRP	\$50



The recirculation nipple can help adapt the tank to a recirculation loop, either for a DHW loop, or to transfer heat to a buffer tank.

Note: For SBB tanks only.

Storage Tank Spare Accessories (continued)

The Correx electronic anode adapter kits are designed for hot water applications where the hot water can obtain a sulfur smell after a period of disuse. These kits replace the traditional anode rods and prevent sulfur-smelling water in some situations.



	Electronic Anode Kit (300/400)	Electronic Anode Kit (600)
Part #	570300	570600
Power	4 W	8 W
Mains supply voltage	120 V @ 60 Hz	
Maximum current use	100 mA	200 mA
Connection to adapter	3/4" NPT	
Connection to tank	1 1/4" BSPP	1 1/4" & 1 1/2" BSPP
Parts included	Electronic anode, anode cable, potentiostat & stainless steel adapter	2 electronic anodes, 2 anode cables, 2 potentiostats & 2 stainless steel adapters
MSRP	\$476	\$899

Note: The electronic anode kits are only for use with SBB solar storage tanks. The adapters will *not* fit on a SB tank.

Storage Tank Spare Parts



	Segmented Sacrificial Anode
Part #	143499
Connection to tank	1 1/4" BSPP
Material	Magnesium
Description	Segmented anode for replacement in SBB tanks. Also intended for applications with low ceiling clearance. Includes anode rod indicator and gasket.
MSRP	\$152



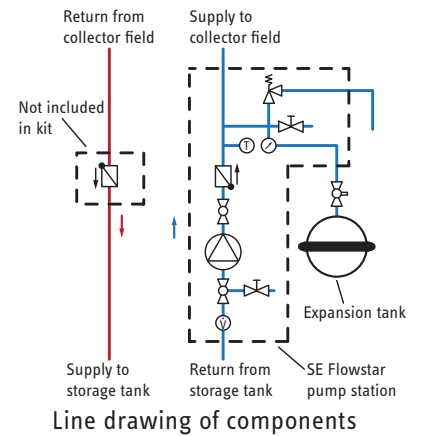
	Thermometer
Part #	165967
Description	Analog thermometer for use in SBB tanks with both Fahrenheit and Celsius scales.
MSRP	\$8

Pump Stations

SE Flowstar



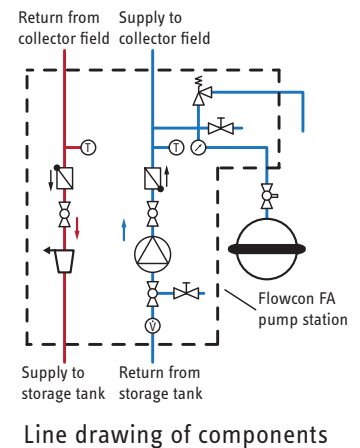
SE Flowstar Pump Station	
Part #	221337
Material	Brass plumbing & fittings
Connection on inlet/outlet	3/4" BSPP female or 3/4" NPT male with included adapters
Connection to expansion tank	3/4" BSPP male
3-speed Circulator	Wilo Star S16 80 watt with variable speed capability
Includes	2 fill ports, pressure gauge, flowmeter & return thermometer.
Recommended for	1-4 collector systems
MSRP	\$688



Flowcon FA



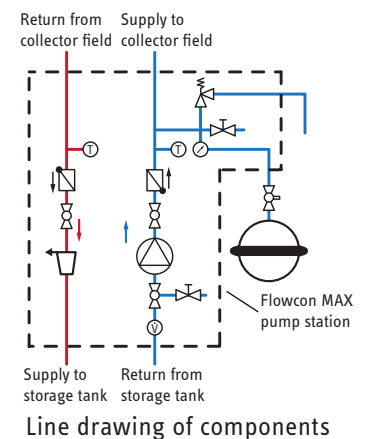
Flowcon FA Pump Station	
Part #	607041
Material	Brass plumbing & fittings
Connection on inlet/outlet	1" BSPP female or 3/4" compression fittings with included adapters
Connection to expansion tank	3/4" BSPP male
3-speed Circulator	Wilo Star S21 110 watt with variable speed capability
Includes	2 fill ports, pressure gauge, flowmeter, air vent, supply & return thermometer.
Recommended for	2-6 collector systems
MSRP	\$840



Flowcon MAX

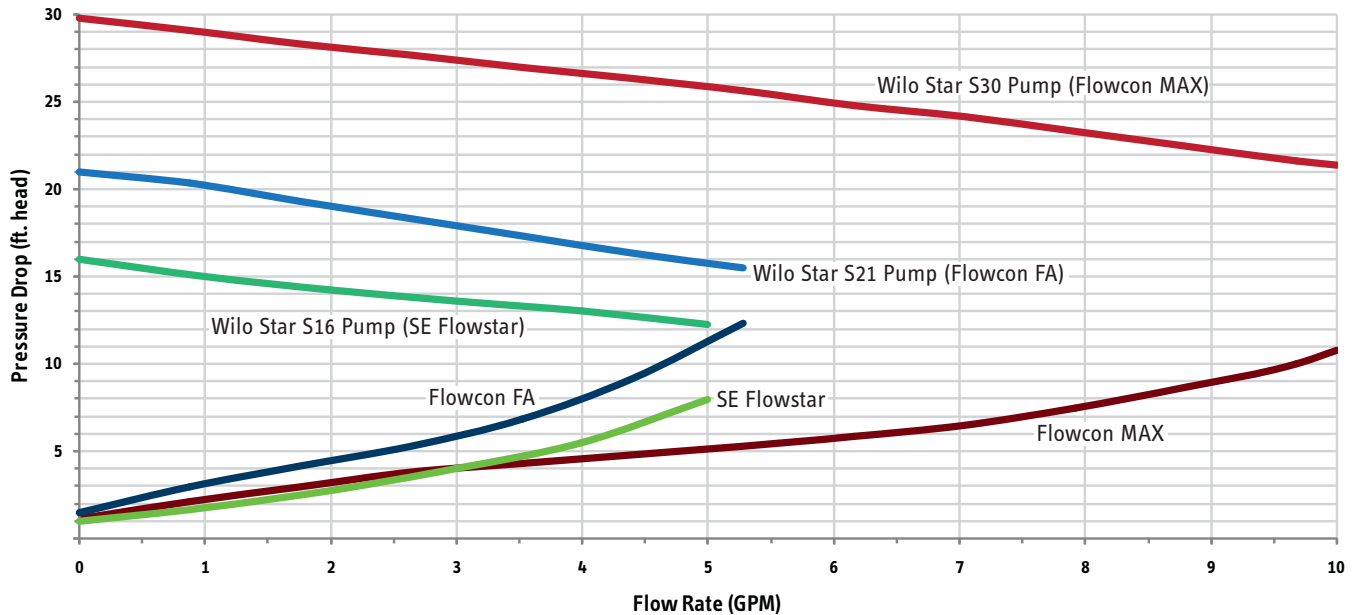


Flowcon MAX Pump Station	
Part #	607042
Material	Brass plumbing & fittings
Connection on inlet/outlet	1" BSPP female or 3/4" compression fittings with included adapters
Connection to expansion tank	3/4" BSPP male
3-speed Circulator	Wilo Star S30 180 watt with variable speed capability
Includes	2 fill ports, pressure gauge, flowmeter, air vent, supply & return thermometer.
Recommended for	4-12 collector systems
MSRP	\$1,135



Pump Stations (continued)

Pump Station Pressure Drop Curves



SE Flowstar Kit



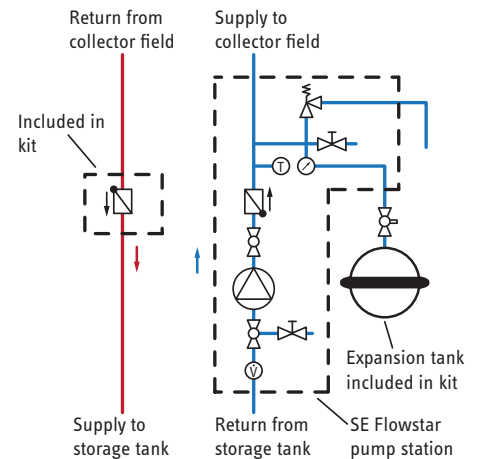
SE Flowstar Pump Station



SE 30 Expansion Tank



Low Tank Mounting Kit



SE Flowstar Pump Station Kit	
Part #	221339
Description	Contains all necessary parts for a 1-4 collector residential system.
Includes	SE Flowstar pump station [221337], SE 30 expansion tank [ST117] & low tank mounting kit [221418]
MSRP	\$968

Pump Station Accessories



	Low Tank Mounting Kit	High Tank Mounting Kit
Part #	222418	531987
Material	Brass plumbing & fittings	Brass plumbing & fittings
Connections	Adapts to 3/4" male NPT	Adapts to 3/4" male NPT
Description	Kit is designed for mounting an SE Flowstar pump station on an SBB or SB storage tank.	Kit is designed for mounting an SE Flowstar pump station at eye level on an SBB or SB storage tank.
MSRP	\$205	\$240



	Pump Mounted Controller Holder
Part #	560322
Material	EPP insulation
Dimensions	10 1/4" H x 8 1/4" W x 5 1/2" D
Description	For mounting SOM 6 & 7 solar controllers on a pump station.
MSRP	\$53

Note: Can be used to mount SOM 6 Plus [230141] or 7 Plus [230142] controllers onto SE Flowstar [221337], Flowcon FA [607041] or Flowcon MAX [607042] pump stations.



Controller holder mounted on a Flowcon MAX pump station



	DOWFROST Propylene Glycol	DOWFROST HD Propylene Glycol
Part #	074200	074300
Volume	5 gallons	
Mixture	50% Water, 50% glycol with specially formulated inhibitors	
Features	For systems with active heat dissipation measures. Freeze protection to -30°F.	For systems designed to stagnate. Overheat protection to 325°F.
MSRP	\$126	\$126

*Please visit www.stiebel-eltron-usa.com for technical information on propylene glycol

Flexible Linesets

SOL-FLEX	3/4" Flexible Lineset
Part #	560150
Hose	.812" I.D.
Material	316L SS flexible hose
Insulation	EPDM rubber 3/4" thick
Insulation cover	UV resistant separable polyamide braiding
Features	Sensor wire embedded in hot fluid feed line
Total dimension	5" W x 2 3/8" H
Temperature range	-76 to 356°F
MSRP	\$19 / linear ft.



	SOL-FLEX 3/4" Female Fitting	SOL-FLEX 3/4" Male Fitting	SOL-FLEX 3/4" Coupling	3/4" BSPP male to 3/4" NPT adapter
Part #	560151	560152	560154	S548310-NA
Material	Brass			
Lineset	3/4" SOL-FLEX lineset			N/A
Connection	3/4" BSPP female	3/4" BSPT male	3/4" SOL-FLEX	3/4" NPT male
Description	Female fitting to standard pipe connections.	Male fitting to standard pipe connections.	Coupling for joining 2 3/4" linesets together.	Adapter from 3/4" BSPP connections to 3/4" NPT.
MSRP	\$21	\$22	\$9	\$16

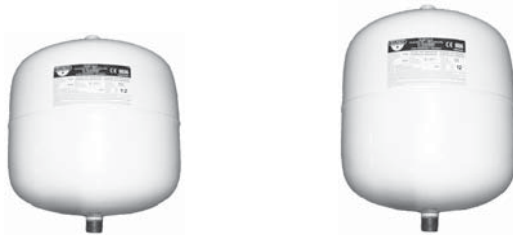
	Twin Pipe ThermalDeck Lineset Enclosure
Part #	560156
Material	18 gauge galvanized 90 steel
Included hardware	7 - 1" truss head screws, 4 - 3/4" tek screws with seals, 1 - 6" rubber edge trim, 1 - 8 1/2" rubber edge trim, 1 - 3/8" foam top seal
Total dimension	15" W x 15" L x 2 1/2" H
Cavity dimensions	8" W x 9" L x 2.5" H
Description	This lineset enclosure flashes the SOL-FLEX lineset to an asphalt roof. This makes for a more aesthetic installation and reduces the probability of leaks.
MSRP	\$170



Expansion Tanks



	SE 30 Expansion Tank	SE 60 Expansion Tank	AG 80 Expansion Tank
Part #	ST117	ST118	ST119
Collectors	Up to 5	Up to 10	Up to 16
Max. temperature rating	250°F		230°F
Max. pressure rating	150 PSI		
Pre-charge pressure	25 PSI		36 PSI
Connection	1/2" NPT male		1" NPT male
Dimensions	15" H x 11" Ø	23" H x 11" Ø	23.9" H x 17.7" Ø
MSRP	\$83	\$173	\$297

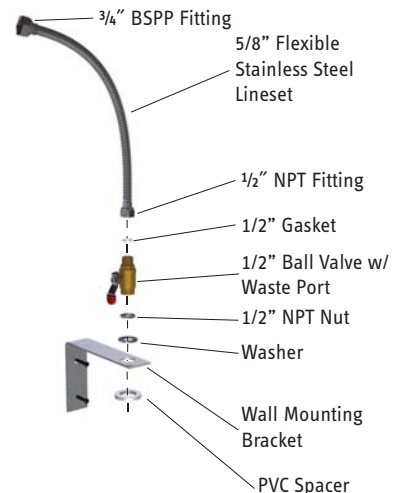


	VSG 12 Pre-cooling Vessel	VSG 18 Pre-cooling Vessel
Part #	560012	560013
Material	Carbon steel	
Coating	White epoxy-powder	
Capacity	3.2 gallons	4.8 gallons
Max. operating pressure	150 PSI	
Operating temperature	14 - 230°F	
Connection	3/4" NPT male	
Total dimension	10.4" H x 10.6" Ø	13.7" H x 10.6" Ø
MSRP	\$87	\$105

The pre-cooling vessel is intended to add additional volume and surface area for hot solar fluid to dissipate heat before the expansion tank. This helps extend the life of the diaphragm in the expansion tank. This pre-cooling vessel is especially useful in systems that will stagnate.

	Expansion Tank Flexible Lineset Kit
Part #	560200
Pump station connection	3/4" BSPP female
Expansion tank connection	1/2" NPT female
Includes	4' flexible lineset, wall-mounting bracket, ball valve with waste port, all necessary gaskets, washers & spacers.
MSRP	\$115

The expansion tank flexible lineset kit speeds up installation time by providing all necessary parts to connect the pump station to the expansion tanks. This allows for a sealed connection without needing to solder any pipe.



Expansion Tanks (continued)



Wall-mounting Bracket

Part #	560261
Material	Aluminum
Description	The wall-mounting bracket is made of Aluminum and is designed to hang either an SE 30 or 60 expansion tank or the VSG 12 Pre-cooling vessel.
Price	\$30

Differential Controllers



SOM 6 Plus

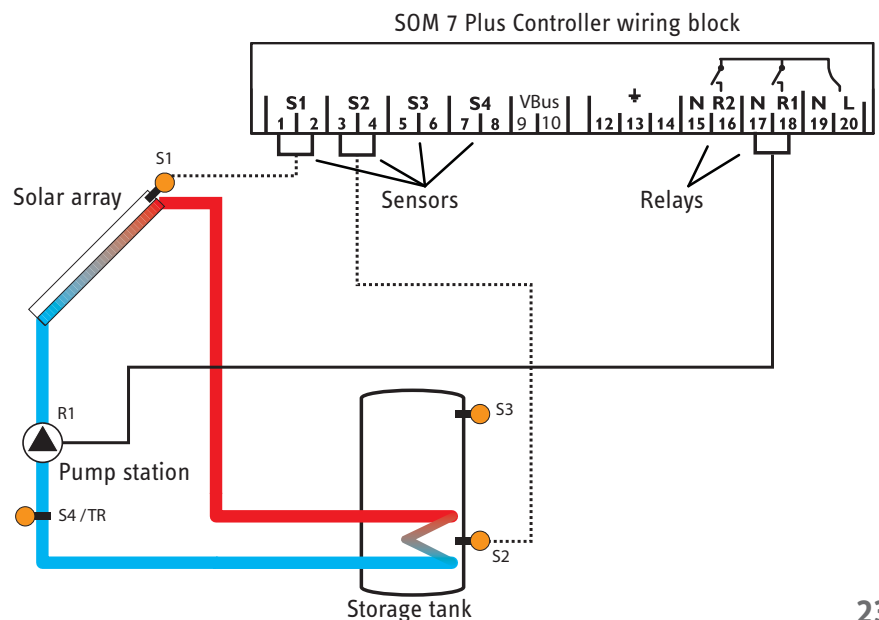
SOM 7 Plus

Part #	230141	230142
Sensor inputs	4 Pt1000 sensors	
Relay outputs	1 variable speed relay	2 variable speed relays
Features	Energy metering and VBus connection, system cooling functions, vacation mode & pump speed control	
Warranty	2 years	
MSRP	\$199	\$299

Specifications SOM 6 & 7 Plus

Housing	Plastic, PC-ABS and PMMA
Dimensions	6.7" H x 4.3" W x 1.9" D
Installation	Wall or tank mounted
Standby power use	1 Watt
Relay capacity	1 amp each @ 100-240V

SOM 6 & 7 Plus controllers have the necessary number of sensors to monitor the temperature of the solar array, storage tank, and 2 more temperature locations in the system.



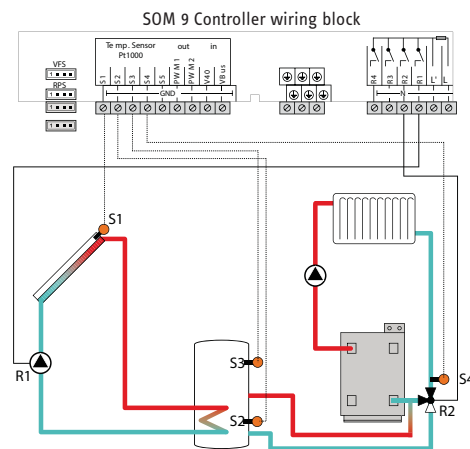
Differential Controllers (continued)



SOM 9	
Part #	11566327
Sensor inputs	4 Pt1000
Relay outputs	4 variable speed relays and 2 PWM outputs
Features	Energy metering and VBus connection, system cooling functions, vacation mode & pump speed control
Warranty	2 years
MSRP	\$499

The SOM 9 controller is equipped with five Pt1000 sensor inputs, two analog Grundfos sensor inputs, an impulse input, as well as a supplemental L'-output for the connection of an actuator. The integrated memory card slot enables easy datalogging to an SD memory card as well as a quick and effortless transfer of logged system data to a PC.

The extra-large display shows precise visualization of the system status. Pre-defined functions allow easier parametrization of the system; functional additions such as a drainback option broaden the range of applications.



SOM 10	
Part #	11599217
Sensor inputs	12 Pt1000 sensors and 3 flowmeter connections
Relay outputs	9 variable speed relays, 1 potential-free relay and 4 PWM outputs
Features	Function blocks, energy metering and VBus connection, system cooling functions, vacation mode & pump speed control
Warranty	2 years
MSRP	\$1,099

The SOM 10 is a system controller of the latest generation and offers almost boundless possibilities in planning and controlling solar hot water systems.

The integrated SD memory card slot enables easy datalogging to an SD memory card and a quick, effortless transfer of logged data to a PC.

Additionally, firmware updates can be run and controller settings can be saved on and transferred from an SD card. The large full graphic display allows the direct display of balance and progression diagrams.

Pre-defined functions allow easier setup of the system; functional additions such as a drainback function extend the range of applications.



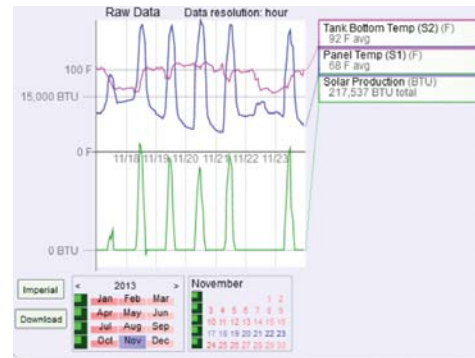
The SOM 10 features a full graphic display capable of showing historical sensor data and multiple sensors and relay values at once.

Controller Accessories



Datalogger DL2 with Solarwave Firmware

Part #	560005
Internal Memory	180 MB internal memory for network outages
SD Card	SD card slot for firmware updates and data export
Compatibility	Connects to all SOM series solar controllers via VBus. Automatically connects to internet. Little to no network configuration required.
Warranty	2 years
MSRP	\$475

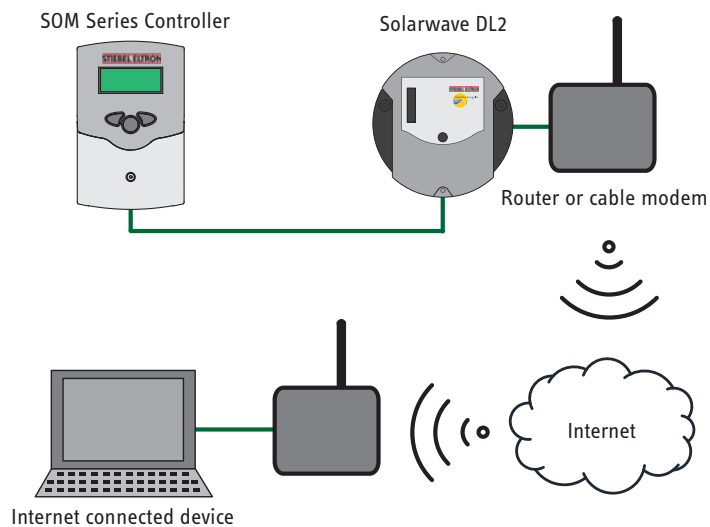


Customizable graphic display shows any or all sensors, relays and production numbers.

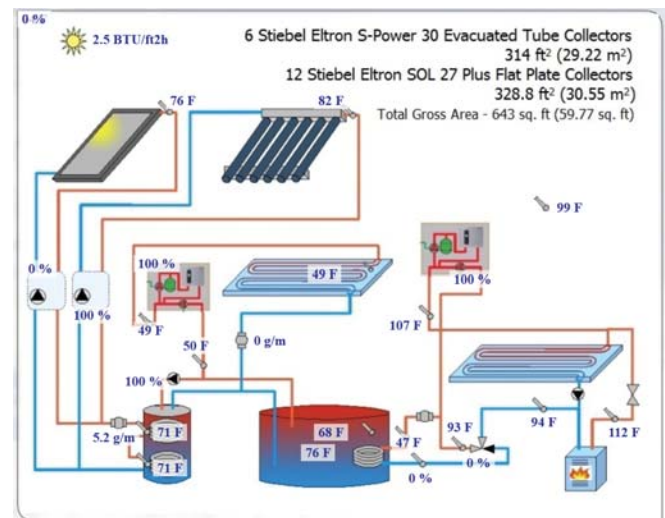
A DL2 with Solarwave has the following features:

- › Login to your solar system from anywhere on the web
- › Dashboards designed for both owners and installers to verify system operations.
- › Installers can manage and control systems remotely
- › Controller settings can be fine-tuned remotely for optimal system performance
- › Optional e-mail alarms to notify of performance issues
- › Remote access reduces on-site cost for service contracts

Typical Online Computer Monitoring Setup for a Solar Hot Water System



The connection is easy and fast. Once connected, the Solarwave DL2 will automatically find the server.



The diagram view allows for a virtual inspection of the system.

Controller Accessories (continued)



	Datalogger DL3	Extension Module for SOM 10
Part #	18000990	14544080
Features	Data logging and parameterization of up to 6 VBus devices. BACnet functionality for integration with building management systems. Remote access via vbus.net web service.	The extension module connects to the VBus port of the SOM 10 controller. It provides 5 additional relays and 6 sensor inputs to the functionality of the SOM 10.
Warranty	2 years	2 years
MSRP	\$890	\$360



	Calorimeter WMZ
Part #	530357
Description	The Calorimeter WMZ is an energy monitor for solar hot water and conventional energy systems. It calculates production using a flowmeter and two temperature sensors.
Inputs	2 - Pt1000 temperature sensors, 1 flowmeter
Connection	Connects to SOM series controllers via VBus
Power supply	115 V
Warranty	2 years
MSRP	\$273



	Minomess 130 Flowmeter
Part #	560004
Description	Flowmeter for energy monitoring. Lead-free, nickel plated body makes it suitable for DHW and closed-loop solar applications. This unit can be used with the Calorimeter WMZ.
Connections	1" BSPP or 3/4" copper sweat with adapters
Flow rate	22 GPM maximum
Temperature	86-194°F
Warranty	2 years
MSRP	\$155

Controller Accessories (continued)



	Outdoor Temperature Sensor	Irradiation Sensor	Overvoltage Protection Sensor
Part #	15500810	15100320	18011070
Description	Measures the outdoor temperature with a sensor in a weatherproof housing.	Measures the solar radiation intensity and is utilized by the controller.	Sensor designed to protect outdoor temperature sensors from damage during lightning storms
For use with	All SOM series controllers		
MSRP	\$59	\$95	\$47



	Pt1000 Temp. Sensor	High Temp. Pt1000 Sensor	High Temp. Pt1000 Clip-on sensor
Part #	165818	15500110	S00330
Description	Pt1000 temperature sensor with moderate temperature range. Use in a sensor well.	Pt1000 temperature sensor with high temperature rating. Use on solar collectors in a sensor well.	Pt1000 temperature sensor with high temperature rating. Use in high temperature applications, or in applications where a sensor well is not practical.
Temperature range	23-176°F	-58-356°F	-58-356°F
For use with	All SOM series controllers		
MSRP	\$21	\$41	\$26



	Pt1000 Indoor Temp. Sensor
Part #	15500300
Description	Temperature sensor for interior installation. Housing mounts on flat surface.
Temperature range	23-176°F
For use with	All SOM series controllers
MSRP	\$43

Fuses for SOM Series Controllers

Part #	For controller model	Rating	Price
29000470	SOM 8	6.3 A slow blow	\$2.50
180650	SOM 6 / SOM 7 / SOM 9	4 A	\$1.50
29002990	SOM 10	6.3 A slow blow	\$1.90



Outdoor Insulation and Hardware



	T-Joint Outdoor Pipe Insulation	Straight Outdoor Pipe Insulation
Part #	SUPVCT	SUPVCST
Description	PVC clad polyisocyanurate insulation for outdoor runs of 3/4" copper pipe. 7/8" inner diameter with 1" wall.	
MSRP	\$11	\$4 / linear ft.

Note: Straight Outdoor Pipe Insulation is sold in 3' increments.



	90° Elbow Outdoor Pipe Insulation	45° Elbow Outdoor Pipe Insulation
Part #	SUPVC90	SUPVC45
Description	PVC clad polyisocyanurate insulation for outdoor runs of 3/4" copper pipe. 7/8" inner diameter with 1" wall.	
MSRP	\$13	\$9



	PVC Pre-curved Jacket	PVC Tape
Part #	SPVC30	PVCTPE
Description	Weatherproof, white PVC jacket for outdoor pipe runs.	1 1/2" wide PVC-tape for securing external insulation. 108' in length.
MSRP	\$3 / linear ft.	\$17

Note: PVC Pre-curved Jacket is sold in 4' increments.



	Armaflex Split Insulation	Armaflex Solid Insulation
Part #	SARMFLX-SPLIT	SARMFLX
Temperature range	-40 to 220°F	
Description	Black, flexible insulation for 3/4" copper pipe. Insulation thickness is 3/4" with an R-value of 3.1.	
MSRP	\$5 / linear ft.	\$3 / linear ft.

Replacement Parts

Part #	Description	For Use With	MSRP
Collectors			
231906	KGS Collector Handle Set	SOL 27 Premium S [230017] & W [230017] collectors	\$242
148337	3/4" Green Graphite Gasket	SOL 27 Premium S [230017] & W [230017] collectors	\$1
292054	Collector Connection Hitch Clips	SOL 27 Premium S [230017] & W [230017] collectors	\$2
170804	Flexible Tube Inter-panel Connector	SOL 25 Plus [227749] collectors	\$40
185307	Sensor Well	SOL 25 Plus [227749] collectors	\$22
SBB Tanks			
270144	SBB 300 S Outer Jacket	SBB 300 S [221219] storage tank	\$49
270286	SBB 400 S Outer Jacket	SBB 400 S [221222] storage tank	\$66
247279	SBB 300 Plus Outer Jacket	SBB 300 Plus [187873] storage tank	\$48
247280	SBB 400 Plus Outer Jacket	SBB 400 Plus [187874] storage tank	\$65
247281	SBB 600 Plus Outer Jacket	SBB 600 Plus [187875] storage tank	\$83
289824	SBB 300 Top Cover	SBB 300 S [221219] & Plus [187873] storage tank	\$16
289827	SBB 400 Top Cover	SBB 400 S [221222] & Plus [187874] storage tank	\$22
165042	SBB 600 Top Cover	SBB 600 Plus [187875] storage tank	\$31
247354	SBB 300 Outer Jacket Bottom Trim	SBB 300 S [221219] & Plus [187873] storage tank	\$8
247355	SBB 400 Outer Jacket Bottom Trim	SBB 400 S [221222] & Plus [187874] storage tank	\$8
247357	SBB 600 Outer Jacket Bottom Trim	SBB 600 Plus [187875] storage tank	\$10
240397	Stainless Steel Tank Inlet Tube	SBB 300 S [221219] & Plus [187873] storage tank	\$26
240398	Stainless Steel Tank Inlet Tube	SBB 400 S [221222] & Plus [187874] storage tank	\$26
270318	Tank Leg Adjustment Feet	SBB 300 S & Plus & SBB 400 S & Plus storage tanks	\$6
249042	Sacrificial Anode Rod (Straight)	SBB 600 Plus [187875] storage tank	\$73
290497	Sacrificial Anode Rod (Straight)	SB 150 S [221220] storage tank	\$15
290498	Sacrificial Anode Rod (Straight)	SB 200 S [221221] storage tank	\$16
285523	Analog Thermometer (°F)	All SBB storage tanks	\$8
010389	SBB Side Plug Gasket	All SBB storage tanks	\$1
560310	Auxiliary Heating Element Adapter	All SBB storage tanks	\$126
570210	3 kW Auxiliary Heating Element	All SBB storage tanks	\$380
252680	Immersion Sleeve	All SBB storage tanks	\$3
139977	Nut for Immersion Sleeve	All SBB storage tanks	\$2
139978	Washer for Immersion Sleeve	All SBB storage tanks	\$1
560413	Sensor Well Shim	All SBB storage tanks	\$1
168662	Clean-out Port Gasket	All SBB storage tanks	\$6
714-LF 3/4	Lead-Free Brass T-Connection for T&P Valve	All SBB storage tanks	\$33
S28641	Watts T&P Valve 3/4" x 8" (150 PSI/210°F)	All SBB storage tanks	\$27
SB-E Tanks			
296391	3 kW Heating Element	SB 300 E [234110] & SB 400 E [234111]	\$32
309859	Enameled Clean-out Port Flange	SB 300 E [234110] & SB 400 E [234111]	\$14
315264	SB 300 E Top Cover	SB 300 E [234110]	\$26
315297	SB 400 E Top Cover	SB 400 E [234111]	\$31
315265	Analog Thermometer (°F)	SB 300 E [234110] & SB 400 E [234111]	\$6.50
315266	Clean-Out Port Cover	SB 300 E [234110] & SB 400 E [234111]	\$12
315273	Connecting Cables	SB 300 E [234110] & SB 400 E [234111]	\$11

Replacement Parts (continued)

Part #	Description	For Use With	MSRP
Pump Stations			
278068	Wilo Star S16U-15-130 Circulation Pump	SE Flowstar [221337]	\$180
123193	Wilo Star S21U-15-130 Circulation Pump	Flowcon FA [607041]	\$220
123199	Wilo Star S30U-15-180 Circulation Pump	Flowcon MAX [607042]	\$330
561222	Compression Fitting to 1" Copper Pipe	Flowcon FA [607041]	\$24
562922	Compression Fitting to 3/4" Copper Pipe	Flowcon MAX [607042]	\$33
278069	Pressure Gauge for Pump Station	SE Flowstar (1 st Generation)	\$25
522543	4" Brass Nipple Adapter (1"BSPP-1"BSPT)	Low Tank Mounting Kit [222418]	\$30

Tankless Electric Water Heaters

Simply the Best

We invented tankless electric water heaters and have been perfecting them for 90 years. Our point-of-use water heaters can save considerable energy and provide user comfort in any distributed water situation. Our Tempra® models make ideal back-up systems for solar hot water systems either for domestic hot water or for radiant heat. They are so ideal that for years they have been the back-up of choice for U.S. Department of Energy Solar Decathlon competitors.

Mini™ Point-of-use Tankless Electric Water Heaters

Stiebel Eltron Mini™ tankless water heaters are designed for installation at a single sink to provide warm water for hand washing at 90-100°F. The Mini™ heats water instantaneously as it flows through the unit. Stand-by heat-losses are completely eliminated. The efficient heating elements are controlled by a simple flow switch. Additionally, all Mini™ water heaters are equipped with a safety high-limit with manual reset.



	Mini™ 2-1	Mini™ 2.5-1	Mini™ 3-1	Mini™ 3.5-1	Mini™ 4-2	Mini™ 6-2
Part #	231045	232098	220816	232099	222039	220817
Voltage	120 V	120 V	120 V	120 V	240 V 208 V	240 V 208 V
Power	1.8 kW	2.4 kW	3.0 kW	3.5 kW	3.5 kW 2.9 kW	5.7 kW 4.7 kW
Phase	single					
Plumbing connection	3/8" NPT male					
Supply temperature	Suitable for cold water only					
MSRP	\$195	\$195	\$195	\$195	\$195	\$195

DHC Point-of-use Tankless Electric Water Heaters

Stiebel Eltron DHC tankless water heaters are designed for installation at the point of use. They heat water instantaneously as it flows through the unit. Stand-by losses are completely eliminated. The heating elements are controlled by a flow switch so dry-firing is not possible. DHC water heaters are equipped with a safety high-limit switch with manual reset.

	DHC 3-1	DHC 3-2	DHC 4-2	DHC 4-3
Part #	074050	074052	074053	074051
Voltage	120 V	240 V 208 V	240 V 208 V	277 V
Power	3 kW	3.3 kW 2.5 kW	3.8 kW 2.9 kW	4.5 kW
Phase	single			
Plumbing connection	1/2" NPT male			
Supply temp.	Suitable for cold water only			
MSRP	\$225	\$225	\$225	\$225



	DHC 5-2	DHC 6-2	DHC 8-2	DHC 9-3	DHC 10-2
Part #	074054	074424	074055	232204	074056
Voltage	240 V 208 V	240 V 208 V	240 V 208 V	277 V	240 V 208 V
Power @ 240 V	4.8 kW 3.6 kW	6 kW 4.5 kW	7.2 kW 5.4 kW	9 kW	9.6 kW 7.2 kW
Phase	single				
Plumbing connection	1/2" NPT male				
Supply temp.	Suitable for cold water only				
MSRP	\$225	\$225	\$225	\$225	\$225

DHC-E Point-of-use Tankless Electric Water Heaters

DHC-E is a powerful, flexible, point-of-use water heating solution. The DHC-E 8/10 is actually two models in one - switchable between 7.2 and 9.6 kW via a jumper during installation. The DHC-E 12 offers 12 kW output, in an affordable, compact package.

	DHC-E 8/10		DHC-E 12	
Part #	224201		230628	
Voltage	240 V	208 V	240 V	208 V
Power	7.2/9.6 kW	5.4/7.2 kW	12.0 kW	9.0 kW
Phase	single			
Plumbing connection	1/2" NPT male			
Max. supply temp.	131°F			
MSRP	\$319		\$339	



Tempra® Whole-house Tankless Electric Water Heaters

Unlike tank water heaters that must recharge their volume Tempra® tankless electric water heaters provide an unlimited supply of hot water. The variable temperature knob on the front of the unit allows for easy control over the outlet temperature. The exclusive Tempra Advanced Flow Control™ system on Tempra® Plus models was invented by Stiebel Eltron and reduces flow to maintain output set temperature if demand temporarily exceeds capacity.

Tempra® Part number	12 223420		15 223421	
	12 Plus 224196		15 Plus 224197	
Voltage	240 V	208 V	240 V	208 V
Power	12 kW	9 kW	14.4 kW	10.8 kW
Phase	single			
Plumbing connection	3/4" NPT male			
Max. supply temp.	131°F			
MSRP	12 \$564		15 \$744	
	12 Plus \$679		15 Plus \$879	



	20 223422		24 223424		29 232885		36 232886	
	20 Plus 224198		24 Plus 224199		29 Plus 223425		36 Plus 223426	
Voltage	240 V	208 V	240 V	208 V	240 V	208 V	240 V	208 V
Power	19.2 kW	14.4 kW	24 kW	18 kW	28.8 kW	21.6 kW	36 kW	27 kW
Phase	single							
Plumbing connection	3/4" NPT male							
Max. supply temp.	131°F							
MSRP	20 \$784		24 \$824		29 \$864		36 \$924	
	20 Plus \$919		24 Plus \$959		29 Plus \$999		36 Plus \$1,059	

Accelera® 220 E Heat Pump Water Heater

- › Digital display
- › Easy access for service
- › Impressed current anode corrosion protection
- › Qualifies for federal, state, local, and utility financial incentives
- › 10 year warranty

Our heat pump water heaters are designed from the ground up to rely on the heat pump, not on the back-up element. We don't call the Accelera® heat pump water heaters "hybrids." They're not.

Our tanks are large, because large is the best for a heat pump water heater. Even our "50-gallon" heat pump water heater is actually 58 gallons. Large capacity means the water you are using, as much as possible, was heated the most efficient way – with the heat pump.

We super-insulate our tanks, because minimizing stand-by losses means less energy is wasted. In order to deliver all the energy savings a heat pump water heater can, in addition to all the hot water comfort it holds, it makes no sense to skimp on the insulation and increase energy consumption.

We use a single resistance element for back-up water heating during times of high demand. Our single booster element is located in the most efficient place – at the very top of the tank because that's where the hot water is drawn from.



	Accelera® 220 E
Part #	233058
Nominal capacity	58 gal
Empty weight	264 lb
Ambient air temperature range	42-108°F
Sound pressure level at 1 m	52 dB(A)
DHW temperature	149°F
Height	60.8"
Diameter with insulation	27.2"
Thickness of insulation	3"
Voltage	240 Vac
Circuit breaker	15 A
Heat pump power draw	650 W
Heating element power draw	1500 W
Max. power draw	2150 W
Phase	Single
Energy Star energy factor	3.09
Typical COP	3-6
MSRP	\$2,999



Conforms to ANSI/UL Std. 174 & 1995 Certified to CAN/CSA C22.2 No. 110-94 & 236-05

Tested and certified by WQA to NSF/ANSI 372 for lead free compliance

Dept. of Energy kWh/year estimate	1406 kWh/yr
Energy Guide estimated yearly operating cost	\$169/yr

Accelera® 300 Heat Pump Water Heater

- › Qualifies for federal, state, local, and utility financial incentives
- › 10 year warranty

In energy-conscious Germany, with a tolerance for only the finest engineering, Accelera® 300 has been the best seller for over 30 years. Why? Because we've been manufacturing heat pumps since the 1970s, and with experience like that, we don't do it like the others. We do it better. Accelera® was designed to use its heat pump, not the back-up element, to make the majority of hot water. Drawing only 500 watts while running, the heat pump's energy consumption can easily be offset by a small PV array. With the back-up element disabled, it could even be installed off-grid.

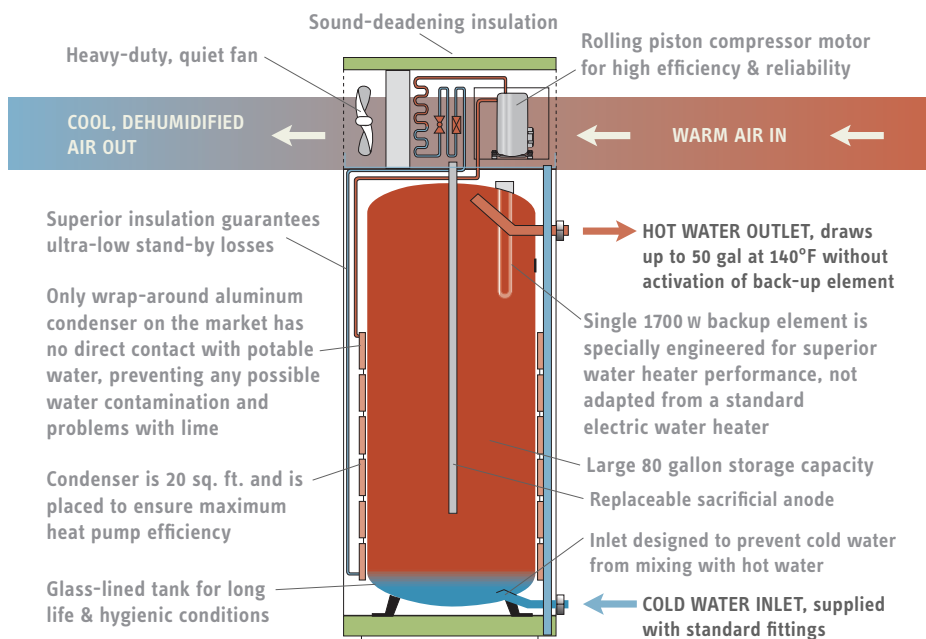
Accelera® 300	
Part #	222423
Nominal capacity	80 gal
Empty weight	286 lb
Ambient air temperature range	42-108°F
Sound pressure level at 1 m	55.2 dB(a)
DHW temperature	140°F
Height	73.8"
Diameter with insulation	26"
Thickness of insulation	2"
Voltage	240 Vac
Circuit breaker	15 A
Heat pump power draw	500 W
Heating element power draw	1700 W
Max. power draw	2200 W
Phase	Single
Energy Star energy factor	2.73
Typical COP	3-6
MSRP	\$2,999



ETL Intertek
 Conforms to ANSI/UL Std. 174, 1995, 94-5 VA & 174
 Certified to CAN/CSA C22.2 No. 110

WQA USA
 Tested and certified by WQA to NSF/ANSI 372 for lead free compliance

Dept. of Energy kWh/year estimate	1391 kWh/yr
Energy Guide estimated yearly operating cost	\$167/yr



Overstock Items

The following items are overstocked in our warehouse, and we are offering great discounts in order to move our stocks. The prices listed are the final sale price. Shipping charges and tax still apply.

SOL 27 Premium architectural trim



	SOL 27 Premium S architectural cover strip	SOL 27 Premium W architectural cover strip
Part #	230931	230932
Description	These cover strips bridge the gaps between collectors to create a seamless appearance of the solar array.	
Price	\$35	\$35

S-Power Evacuated Tubes



	S-Power Vacuum Tube	S-Power 20 Tube Manifold
Part #	1302/005	791175
Dimensions	76.3" x 2.1" ϕ	85.2" x 59" x 3.25"
Description	Evacuated tube intended for connection to an S-Power 20 or 30 tube manifold.	20 tube manifold for S-Power evacuated tubes.
Warranty	5 years	5 years
Price	\$35	\$625



	S-Power End Caps	S-Power Adapters
Part #	791017	711000
Dimensions	76.3" x 2.1" ϕ	85.2" x 59" x 3.25"
Description	Aluminum end caps for aesthetic covering of manifold ends. Order one per series of collectors.	2 - 3/4" NPT male brass adapters for the inlet and outlet of a series of collectors.
Price	\$25	\$35

Racking Components

L-Bracket	
Part #	S102A
Description	L-Bracket for mounting Stiebel Eltron racks and frames at 90° angles. Accepts both 3/8" & M10 bolts.
Price	\$4



Pump Stations with Heat Exchangers

	SE Solex DWHX 16 Plate HX	SE Solex DWHX 30 Plate HX
Part #	6094602US	6094603US
Dimensions	25.6" x 15.6" x 9.8"	
Connections	Solar loop: 3/4" compression fitting, Storage tank loop: 3/4" male NPT	
Circulators	Solar loop: Wilo Star S21, Storage tank loop: Wilo Star S21 BU	
Heat exchanger	16 plate double-wall heat exchanger	30 plate double-wall heat exchanger
Price	\$1,350	\$1,500



SE Solex DWHX 16/30 Plate pump station

Solar Controllers and Accessories



	SOM 7 Si	SOM 8
Part #	222141	227535
Sensor inputs	4 Pt1000 sensors	15 Pt1000 sensors
Relay outputs	2 electromechanical	9 (4 electromechanical, 4 semi-conducting, 1 potential-free)
Features	Differential solar controller for simple systems. The relays are not variable speed. Tube collector function, and heat quantity balancing are included as well as VBus functionality.	Differential solar system controller for use in solar and heating systems. Two integrated calorimeters and control of a weather-compensated circuit. Function block and VBus functionality included.
Price	\$125	\$220

Overstock Items

Solar Controllers and Accessories (continued)



	Purg-o-Mat	Voss Ball Valve	Voss Air Separator
Part #	S10043	S10047	S10042
Resol model	V40-06	V40-15	V40-25
Connections	1/2" BSPP male connection	1/2" BSPP female & 3/8" NPT male	3/4" compression fittings with 3/8" BSPP connection on top
Description	Recommended to purchase with the Voss Ball Valve or air separator.		
Price	\$14	\$4.50	\$26



	V40 Flowmeter-06	V40 Flowmeter-15	V40 Flowmeter-25
Part #	28001107	28001117	28001127
Resol model	V40-06	V40-15	V40-25
Flow range	0.1-5.25 gpm	0.25-13.25 gpm	0.25-22 gpm
Connections	3/4" NPT male connections		
Description	Can be used with a SOM 8, SOM 9 , or SOM 10 controller by itself, or a SOM 6 Plus & 7 Plus when also using the Calorimeter WMZ. Not certified for DHW usage.		
Price	\$75	\$166	\$190



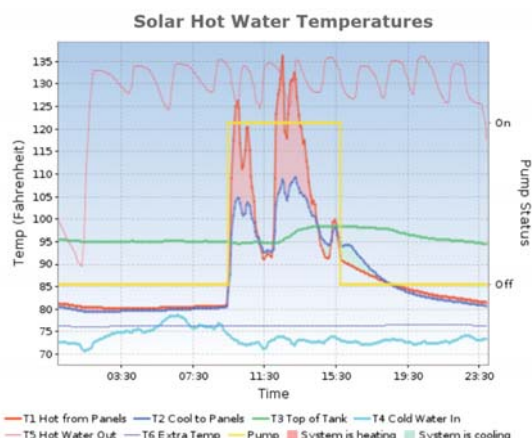
	VBus to USB Adapter	VBus to LAN adapter
Part #	18000850	18000880
Description	Connects a SOM series solar controller to a computer via USB connection. The user can monitor system performance via Resol RPT software.	Connects a SOM series solar controller to a network via a LAN connection. The user can monitor system performance via Resol RPT software on a local network.
Price	\$70	\$95

Solar Controllers and Accessories (continued)



SunReports Apollo 1

Part #	560001
Description	Stand-alone solar monitoring system. Unit connects to the internet and reports the data to a home server. The data are available on a web browser. It can be used with any solar hot water system with any controller.
Price	\$400



Graphic readout of 1 day of monitoring by Apollo 1



Room Thermostat

Part #	13600020
Description	Stand-alone controller for controlling simple relays. Controls a relay based on a switch-on and switch-off temperature.
Price	\$75



Smart Display SD3

Part #	18000777
Description	Connects to a SOM series controller via VBus. Displays current temperature of solar array and tank storage, as well as total energy production.
Price	\$150



Black Magic EL-SID 10W DC Pump

Part #	SID10
Description	10 Watt, 12 Volt pump for off-grid solar. The pump is without seal, and is made of stainless steel and bronze.
Price	\$150



Black Magic EL-SID 20W DC Pump

Part #	SID20
Description	20 Watt, 12 Volt pump for off-grid solar. The pump is without seal, and is made of stainless steel and bronze.
Price	\$200



1/2" Lead-free Brass Y-Strainer

Part #	560503
Connection	1/2" NPT female
Description	Lead-free construction makes it suitable for DHW as well as solar applications. The strainer screen is made of stainless steel.
Price	\$15



3/4" Lead-free Brass Y-Strainer

Part #	560504
Connection	3/4" NPT female
Description	Lead-free construction makes it suitable for DHW as well as solar applications. The strainer screen is made of stainless steel.
Price	\$20

Solar Controllers and Accessories (continued)

Mobile Charging Station	
Part #	561000
Circulator	Pedrollo PQm 60, 370 Watt Pump provides 125 ft. head @ 1.3 gpm, and 18 ft. head @ 10.5 gpm.
Connection	3/4" garden hose (2 are included)
Description	Fluid reservoir and circulating pump are mounted on a hand cart for easy transport. 10 gallon storage reservoir holds enough fluid for small residential systems.
Price	\$500



Accelera® 300 Heat Pump Water Heater (REFURBISHED)

- › Refurbished by Stiebel Eltron
- › 3 year warranty

Accelera® 300	
Part #	222423-R
Nominal capacity	80 gal
Empty weight	286 lb
Ambient air temperature range	42-108°F
DHW temperature	140°F
Height	73.8"
Diameter with insulation	26"
Thickness of insulation	3"
Voltage	240 Vac
Circuit breaker	15 A
Heat pump power draw	500 W
Heating element power draw	1700 W
Max. power draw	2200 W
Phase	Single
Typical COP	3-6
MSRP	Call for availability




 Conforms to ANSI/UL Std. 174, 1995, 94-5 VA & 174 Certified to CAN/CSA C22.2 No. 110


 Tested and certified by WQA to NSF/ANSI 372 for lead free compliance



Part numbers and prices

STIEBEL ELTRON

Simply the Best

Description	Part #	MSRP
Collectors		
SOL 27 Premium S Collector	230016	\$,1249
SOL 27 Premium W Collector	230017	\$,1249
Connectors		
Inlet/Outlet Connectors	230913	\$188
Single Connector	231683	\$75
Inter-panel Connector	230185	\$63
Inlet/Outlet Connectors with Flex Hose	230186	\$204
Inter-panel Flex Connector	230187	\$95
Brass Sweat Adapter	600185	\$25
Mounting Hardware		
Single Mounting Frame (Short)	230169	\$81
Double Mounting Frame	230170	\$133
Single Mounting Frame (Wide)	230920	\$122
Frame Connector Kit	SFC001	\$40
Tilt Racks		
Vertical 45° Rack	560101	\$263
Vertical 30-60° Rack	560102	\$224
Vertical X-Brace	560106	\$90
Horizontal 45° Rack	560201	\$158
Horizontal 30-60° Rack	560203	\$158
Horizontal X-Brace	560206	\$75
Horizontal Adjustable Rack Kits		
Low Angle Rack Kit (10-20°)	560301	\$240
Low Angle Rack Kit (20-30°)	560302	\$245
Low Angle Rack Kit (35-45°)	560303	\$260
Flush Mount Rail Kits		
2 Collector Flush Mount Rail Kit	560401	\$236
Extension Rail Kit	560402	\$135
Horizontal Flush Mount Rail Kit	560403	\$148
Vertical Flush Mount Rail	560104-27	\$70
Roof-mounting Hardware		
L-bracket Flashing Kit	560105L	\$46
SQL-bracket Flashing Kit	560105SQL	\$51
SQ-bracket Flashing Kit	560105SQ	\$43
Z-bracket Flashing Kit	560105Z	\$50
S5U Clamp	S5U	\$22
L-bracket	S560254	\$12
Storage Tanks		
SB 300 E 82 Gallon Tank	234110	\$2,099
SB 400 E 110 Gallon Tank	234111	\$2,499
SBB 300 S 82 Gallon Tank	221219	\$1,999
SBB 400 S 110 Gallon Tank	221222	\$2,199
SBB 300 Plus 80 Gallon Tank	187873	\$2,299
SBB 400 Plus 108 Gallon Tank	187874	\$2,499
SBB 600 Plus 162 Gallon Tank	187875	\$2,699
Storage Tank Accessories		
Recirculation Nipple	S248999	\$50
Electronic Anode Kit (SBB 300/400)	570300	\$476
Electronic Anode Kit (SBB 600)	570600	\$899
Segmented Sacrificial Anode	143499	\$152
Thermometer	165967	\$8

Description	Part #	MSRP
Pump Stations and Accessories		
SE Flowstar	221337	\$688
Flowcon FA	607041	\$840
Flowcon MAX	607042	\$1,135
SE Flowstar Kit	221339	\$968
Low Tank Mounting Kit	222418	\$205
High Tank Mounting Kit	531987	\$240
Pump Mounted Controller Holder	560322	\$53
DOWFROST Propylene Glycol	074200	\$126
DOWFROST HD Propylene Glycol	074300	\$126
Flexible Lineset		
SOL-FLEX ¾" Flexible Lineset	560150	\$19 / ft.
SOL-FLEX ¾" Female Fitting	560151	\$21
SOL-FLEX ¾" Male Fitting	560152	\$22
SOL-FLEX ¾" Coupling	560154	\$9
¾ BSPP Male to ¾" NPT Male Adapter	S548310-NA	\$16
ThermalDeck Lineset Enclosure	560156	\$170
Expansion Tanks		
SE 30 Expansion Tank	ST117	\$83
SE 60 Expansion Tank	ST118	\$173
AG 80 Expansion Tank	ST119	\$297
VSG 12 Pre-cooling Vessel	560012	\$87
VSG 18 Pre-cooling Vessel	560013	\$105
Expansion Tank Flexible Lineset Kit	560200	\$115
Wall-mounting bracket	560261	\$30
Differential Controllers		
SOM 6 Plus	230141	\$199
SOM 7 Plus	230142	\$299
SOM 9	11566327	\$499
SOM 10	11599217	\$1,099
Datalogger DL2 with Solarwave	560005	\$475
Datalogger DL3	18000990	\$890
Extension Module for SOM 10	14544080	\$360
Calorimeter WMZ	530357	\$273
Minomess 130 Flowmeter	560004	\$155
Outdoor Temperature Sensor	15500810	\$59
Irradiation Sensor	15100320	\$95
Overvoltage Protection Sensor	18011070	\$47
Pt1000 Temperature Sensor	165818	\$21
High Temperature Pt1000 Sensor	15500110	\$41
High Temperature Pt1000 Clip-on Sensor	S00330	\$26
Pt1000 Indoor Temperature Sensor	15500300	\$43
Outdoor Insulation and Hardware		
T-Joint Outdoor Pipe Insulation	SUPVCT	\$11
Straight Outdoor Pipe Insulation	SUPVCST	\$4 / ft.
90° Elbow Outdoor Pipe Insulation	SUPVC90	\$13
45° Elbow Outdoor Pipe Insulation	SUPVC45	\$9
PVC Pre-curved Jacket	SPVC30	\$3 / ft.
PVC Tape	PVCTPE	\$17
Armaflex Split Insulation	SARMFLX-S	\$5 / ft.
Armaflex Solid Insulation	SARMFLX	\$3 / ft.