

# STIEBEL ELTRON

CE Plus Series: 81 kW, 90 kW, 108 kW | Standard Indoor Enclosure, NEMA 4/4X  
Engineering Specification Sheet

## Specifications

<b>Model</b>	CE Plus 81 kW, CE Plus 90 kW, CE Plus 108 kW
<b>Phase</b>	3-phase
<b>Inlet/outlet pipe connection</b>	1" female NPT
<b>Heat exchanger material</b>	316L stainless steel
<b>Enclosure rating</b>	Standard indoor shown, NEMA 4/4X available
<b>Operating pressure range</b>	4-145 psi (0.28-10 bar)
<b>Maximum temperature output</b>	180 °F (82 °C)
<b>Temperature adjustment range</b>	60-180 °F (16-82 °C)
<b>Temperature adjustment increment</b>	1 °F (1 °C)
<b>Number of heating elements</b>	18
<b>Minimum activation flow</b>	2.7 gpm (10.2 l/m)
<b>Maximum flow at 60 psi</b>	40 gpm (151.4 l/m)



Model	Part Number	Voltage	Phase	kW	Amps	3P Breaker Size (A)	Temperature Rise °F				
							5 gpm	10 gpm	20 gpm	30 gpm	40 gpm
CE Plus 81 kW	CEPLUS-081-480	480	3-phase delta	81.07	97.52	110	>100	55	28	18	14
CE Plus 90 kW	CEPLUS-090-480	480	3-phase delta	90.00	108.25	125	>100	62	31	21	15
CE Plus 108 kW	CEPLUS-108-480	480	3-phase delta	108.00	129.90	150	>100	74	37	25	18
	CEPLUS-108-575	575	3-phase delta	108.00	108.44	125	>100	74	37	25	18



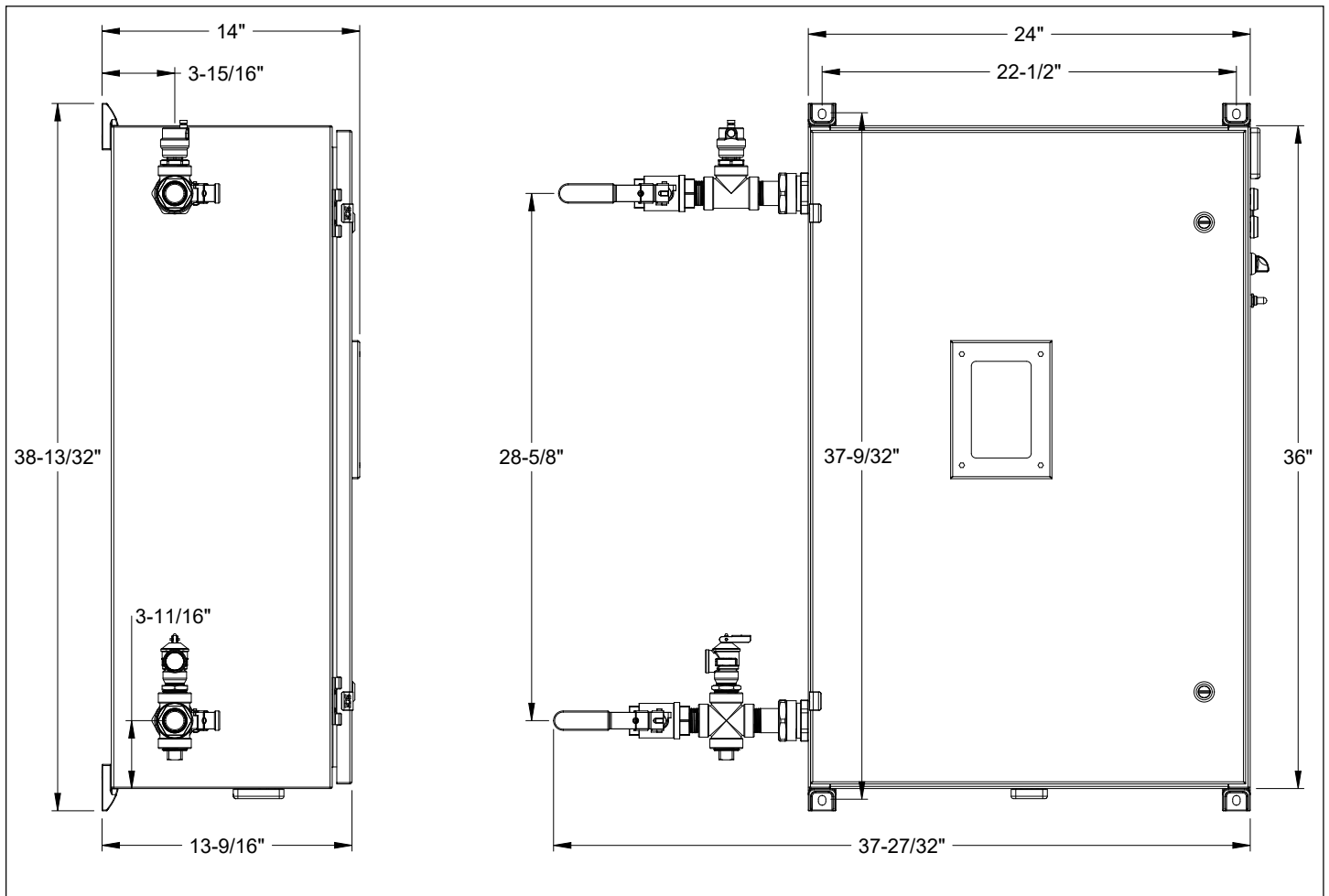
Certified to ANSI/UL Std. 499  
Conforms to CAN/CSA  
Std. C22.2 No.88



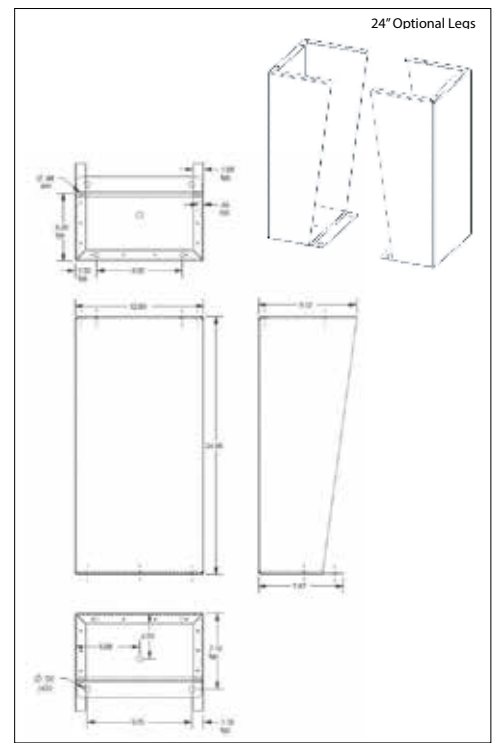
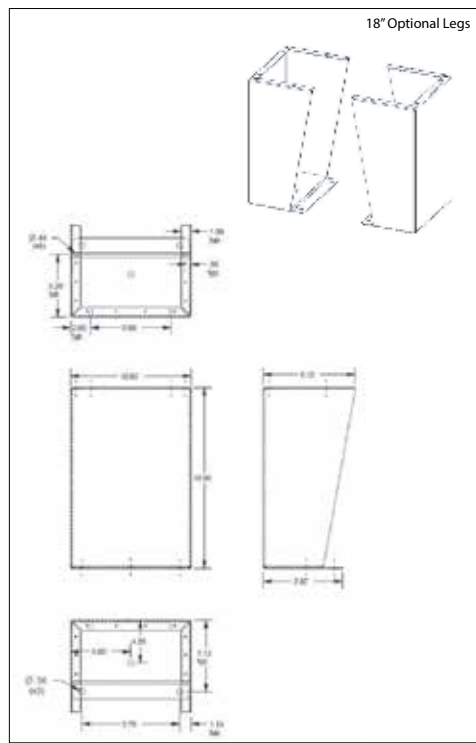
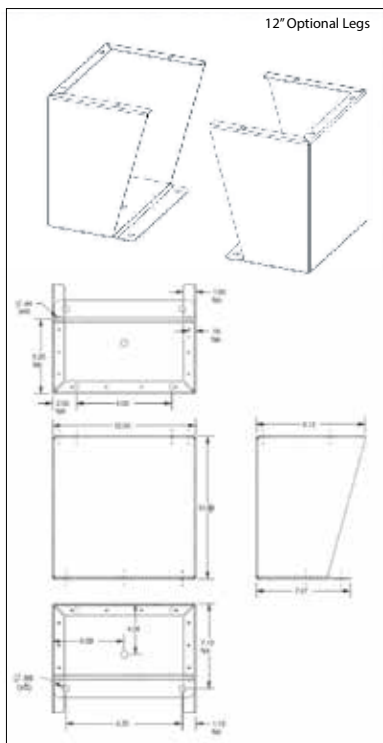
6 years against leakage /  
2 years against defects in  
workmanship & materials

rev. 6.2026 Due to our continuous process of engineering and technological advancement, specifications may change without notice.

# Dimensions

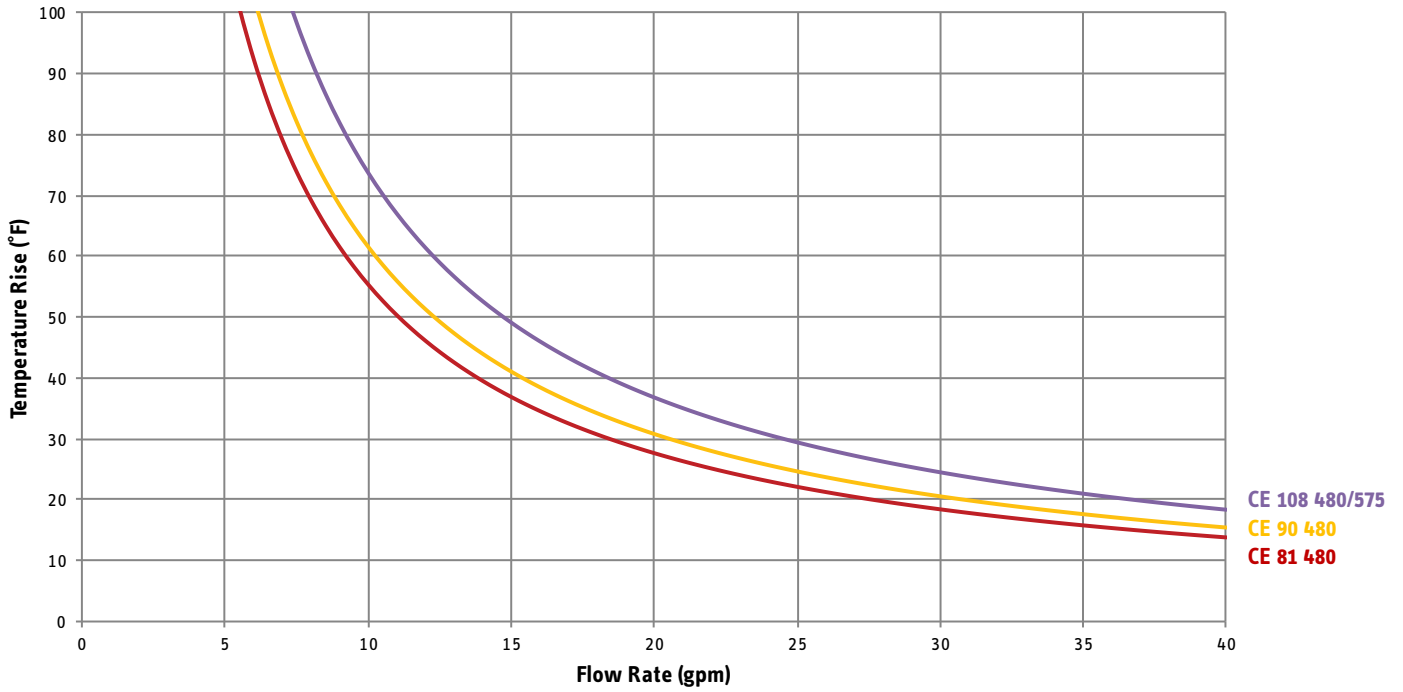


## Dimensions for optional legs for NEMA 4 & 4X enclosures



rev. 6.2026 Due to our continuous process of engineering and technological advancement, specifications may change without notice.

## Temperature Rise vs. Flow Rate



## Pressure Drop vs. Flow Rate

