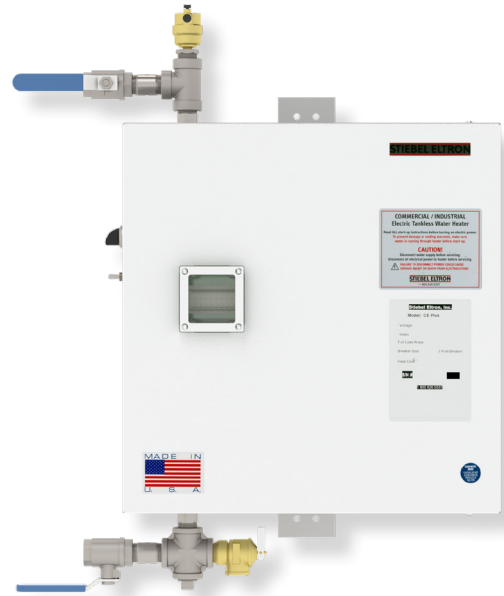


CES Plus Series: 12 kW, 15 kW, 18 kW | NEMA 3

Specifications

<b>Model</b>	CES Plus 12 kW, CES Plus 15 kW, CES Plus 18 kW
<b>Phase</b>	3-phase
<b>Inlet/outlet pipe connection</b>	3/4" female NPT
<b>Heat exchanger material</b>	316L stainless steel
<b>Enclosure rating</b>	NEMA 3 shown, NEMA 4/4X available
<b>Operating pressure range</b>	4-145 psi (0.28-10 bar)
<b>Maximum temperature output</b>	90 °F (32 °C)
<b>Temperature adjustment range</b>	60-90 °F (16-32 °C)
<b>Temperature adjustment increment</b>	1 °F (1 °C)
<b>Number of heating elements*</b>	3
<b>Minimum activation flow</b>	0.75 gpm (2.8 l/m)
<b>Maximum flow at 60 psi</b>	10.6 gpm (40 l/m)

\*CESPLUS-018-480D is a 6-element Delta heater. The enclosure is larger than other 18 kW heaters. See dimensions on pg. 3.



Model	Part Number	Voltage	Phase	kW	Amps	3P Breaker Size (A)	Temperature Rise °F				
							1 gpm	2 gpm	3 gpm	4 gpm	5 gpm
CES Plus 12 kW	CESPLUS-012-208	208	3-phase delta	11.27	31.27	35	77	39	26	19	15
	CESPLUS-012-240	240	3-phase delta	12.50	30.07	35	85	43	29	21	17
	CESPLUS-012-480Y	480	3-phase wye	13.50	16.24	20	92	46	31	23	18
CES Plus 15 kW	CESPLUS-015-208	208	3-phase delta	15.77	43.78	50	>100	54	36	27	22
	CESPLUS-015-240	240	3-phase delta	15.00	36.08	40	>100	51	34	26	21
	CESPLUS-015-480Y	480	3-phase wye	16.65	20.03	25	>100	57	38	28	23
CES Plus 18 kW	CESPLUS-018-208	208	3-phase delta	18.00	49.96	60	>100	61	41	31	25
	CESPLUS-018-240	240	3-phase delta	18.00	43.30	50	>100	61	41	31	25
	CESPLUS-018-480Y	480	3-phase wye	18.00	21.65	25	>100	61	41	31	25
	CESPLUS-018-480D	480	3-phase delta	18.00	21.65	25	>100	61	41	31	25



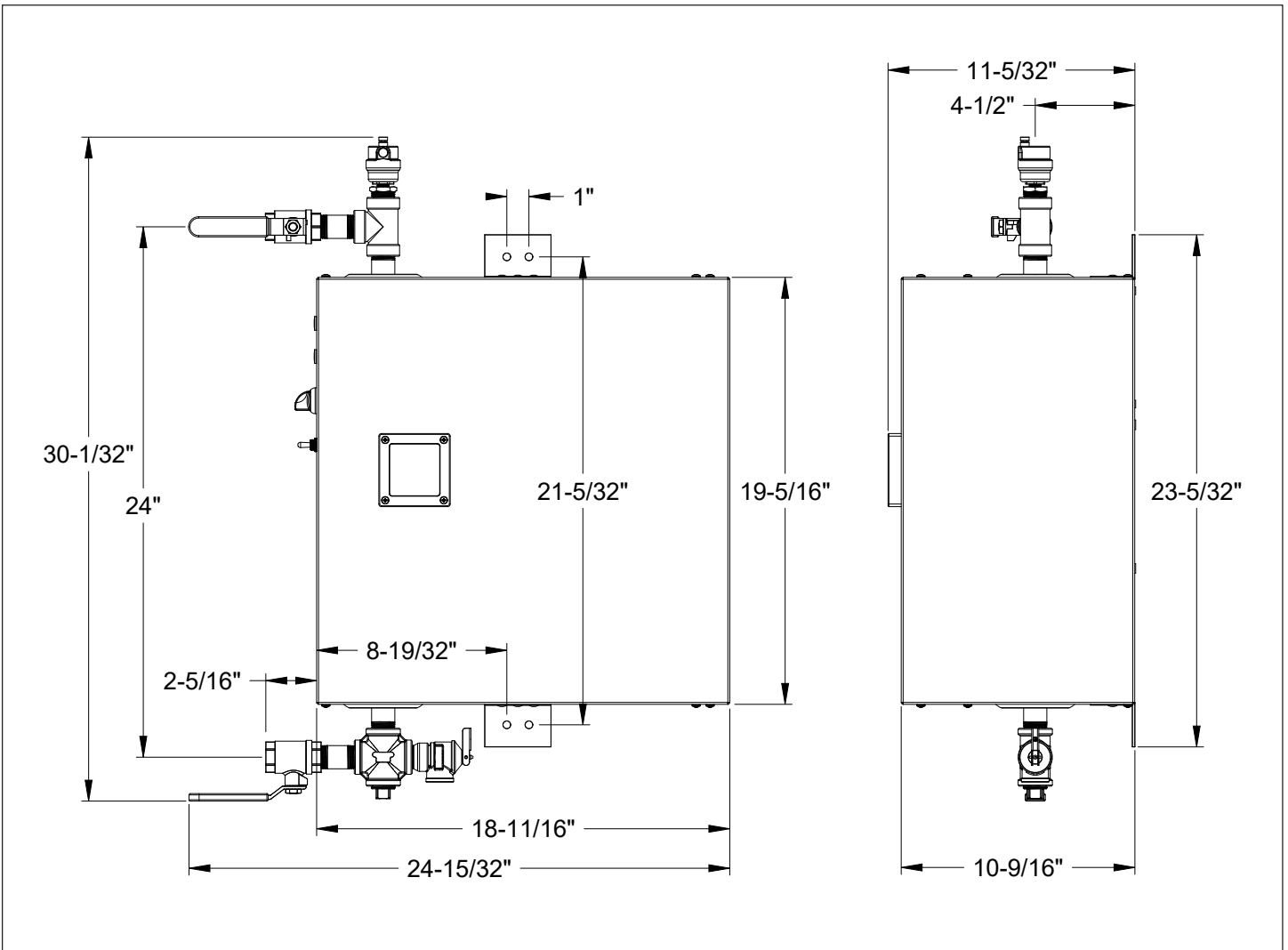
Certified to ANSI/UL Std. 499  
Conforms to CAN/CSA  
Std. C22.2 No.88



6 years against leakage /  
2 years against defects in  
workmanship & materials

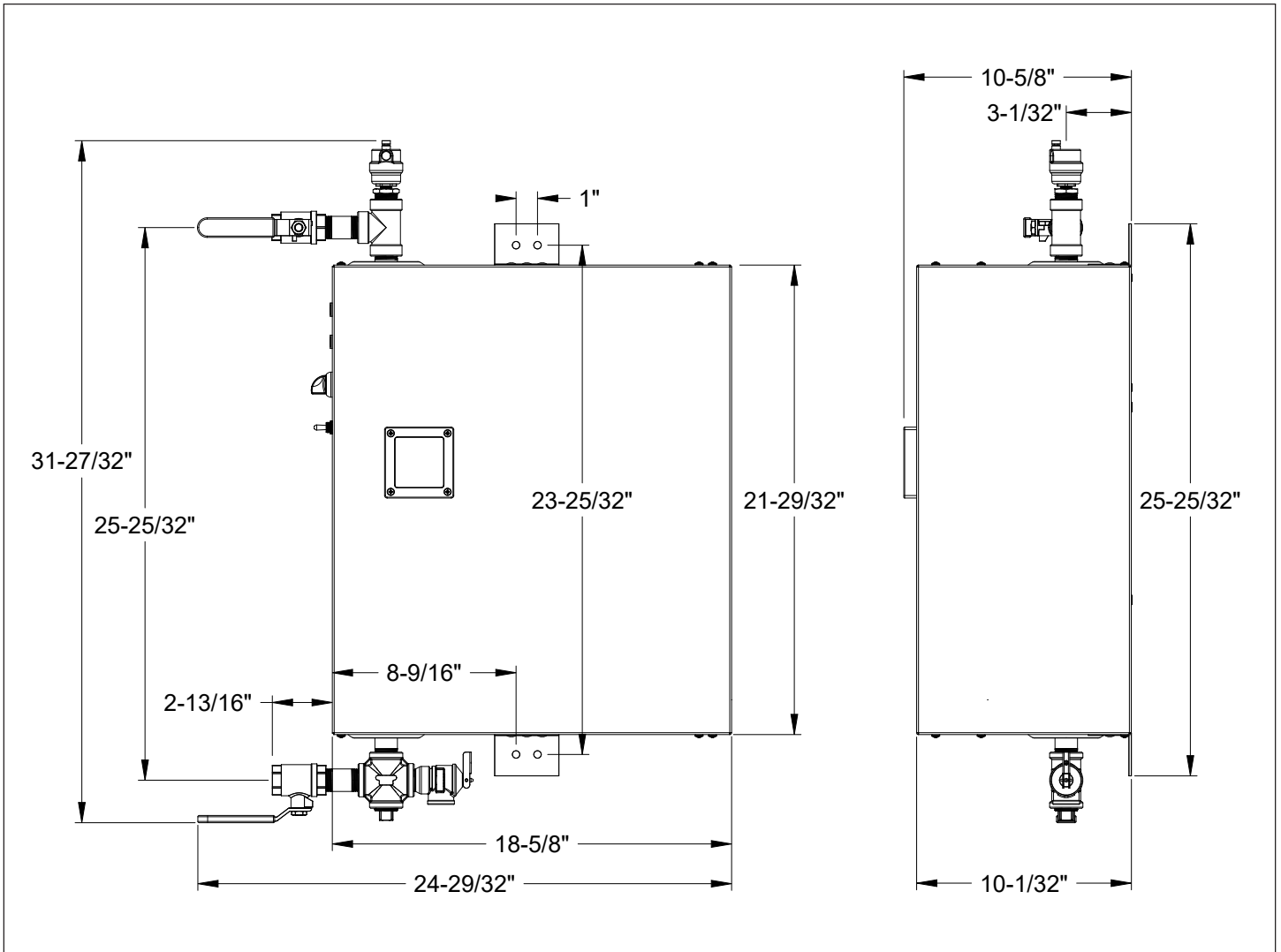
rev. 4.2024 Due to our continuous process of engineering and technological advancement, specifications may change without notice.

# Dimensions - all models except CESPLUS-018-480D



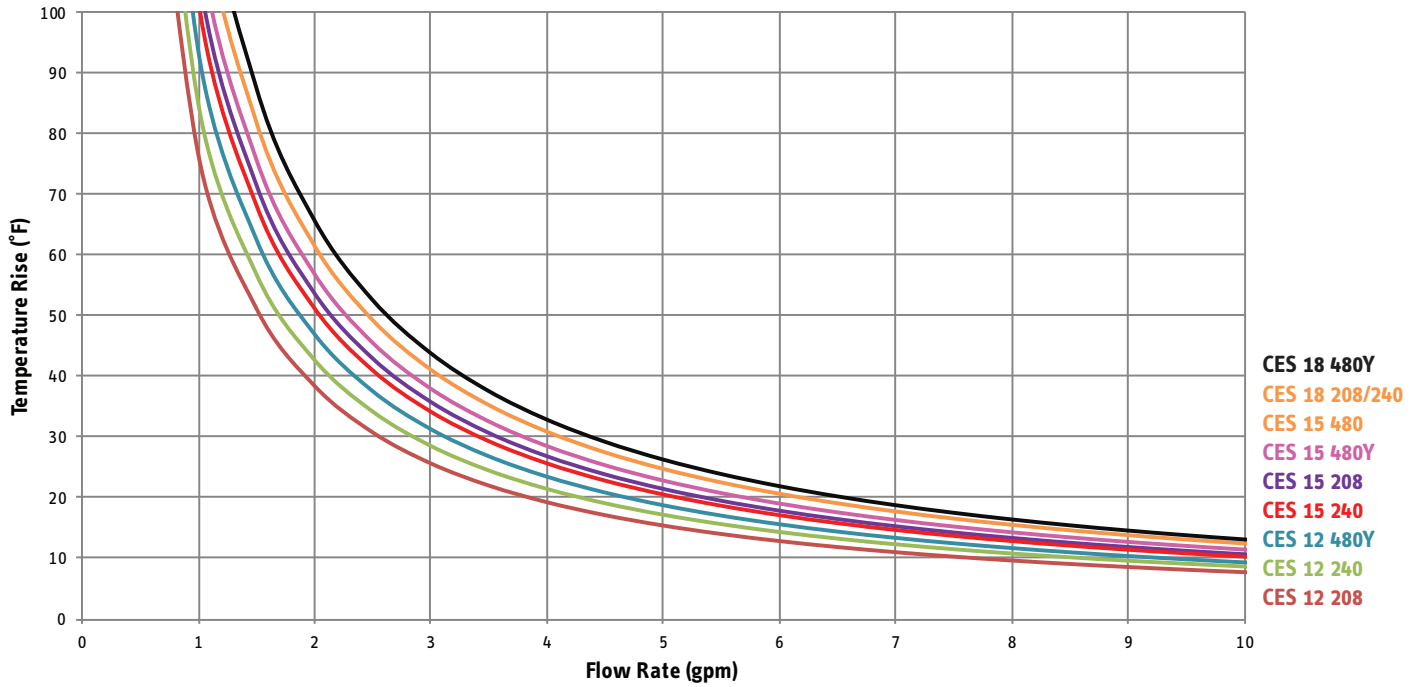
rev. 4.2024 Due to our continuous process of engineering and technological advancement, specifications may change without notice.

## CESPLUS-018-480D dimensions

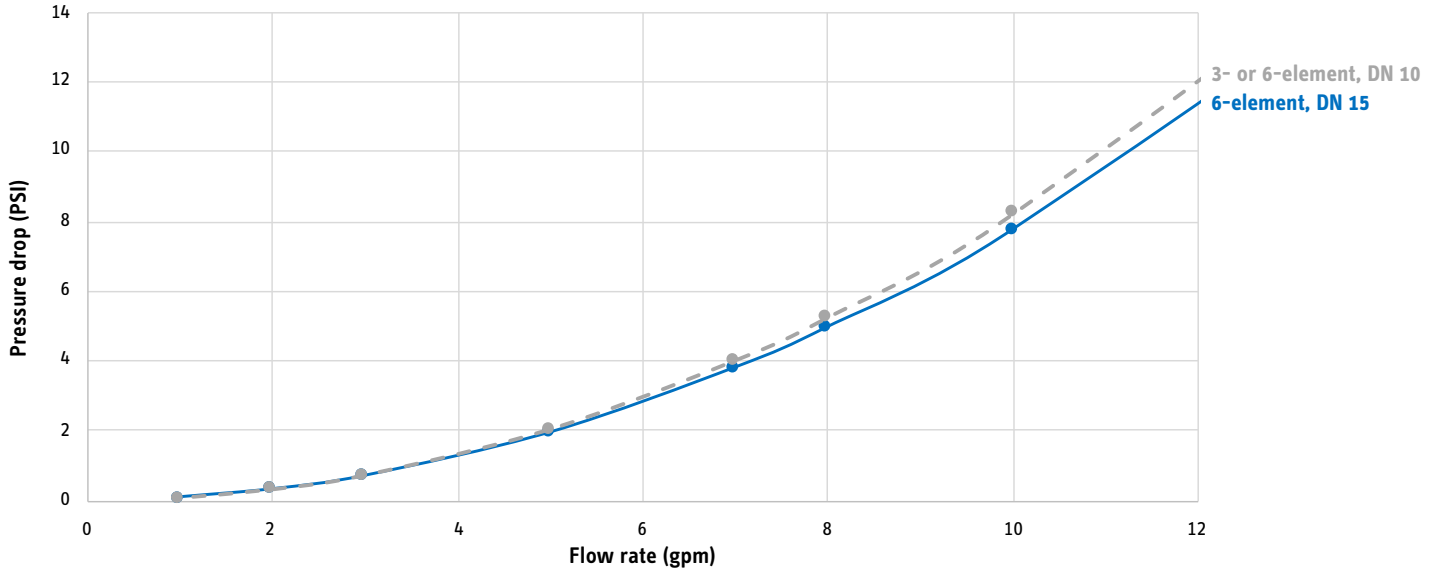


rev. 4.2024 Due to our continuous process of engineering and technological advancement, specifications may change without notice.

## Temperature Rise vs. Flow Rate



## Pressure Drop vs. Flow Rate



rev. 4.2024 Due to our continuous process of engineering and technological advancement, specifications may change without notice.