

STIEBEL ELTRON

CF Plus Series: 12 kW, 15 kW, 18 kW | Standard Indoor Enclosure Engineering Specification Sheet

Specifications

Model	CF Plus 12 kW, CF Plus 15 kW, CF Plus 18 kW
Phase	3-phase
Inlet/outlet pipe connection	3/4" female NPT
Heat exchanger material	316L stainless steel
Enclosure rating	Standard indoor shown, NEMA 4/4X available
Operating pressure range	4-145 psi (0.28-10 bar)
Temperature setpoint options (programmed at factory, user adjustable)	60-180 °F (32-82 °C)
Number of heating elements*	3
Minimum activation flow (hot start)	0.7 gpm (2.7 l/m)
Maximum flow at 60 psi	10.6 gpm (40.1 l/m)

*CFPLUS-018-480D is a 6-element Delta heater. The enclosure is larger than other 18 kW heaters. See dimensions on pg. 3.



Model	Part Number	Volt-age	Phase	kW	Amps	3P Breaker Size (A)	Temperature Rise °F				
							1 gpm	2 gpm	3 gpm	4 gpm	5 gpm
CF Plus 12 kW	CFPLUS-012-208	208	3-phase delta	11.27	31.27	35	77	39	26	19	15
	CFPLUS-012-240	240	3-phase delta	12.50	30.07	35	85	43	29	21	17
	CFPLUS-012-480Y	480	3-phase wye	13.50	16.24	20	92	46	31	23	18
CF Plus 15 kW	CFPLUS-015-208	208	3-phase delta	15.77	43.78	50	>100	54	36	27	22
	CFPLUS-015-240	240	3-phase delta	15.00	36.08	40	>100	51	34	26	21
	CFPLUS-015-480Y	480	3-phase wye	16.65	20.03	25	>100	57	38	28	23
CF Plus 18 kW	CFPLUS-018-208	208	3-phase delta	18.00	49.96	60	>100	61	41	31	25
	CFPLUS-018-240	240	3-phase delta	18.00	43.30	50	>100	61	41	31	25
	CFPLUS-018-480Y	480	3-phase wye	18.00	21.65	25	>100	61	41	31	25
	CFPLUS-018-480D	480	3-phase delta	18.00	21.65	25	>100	61	41	31	25



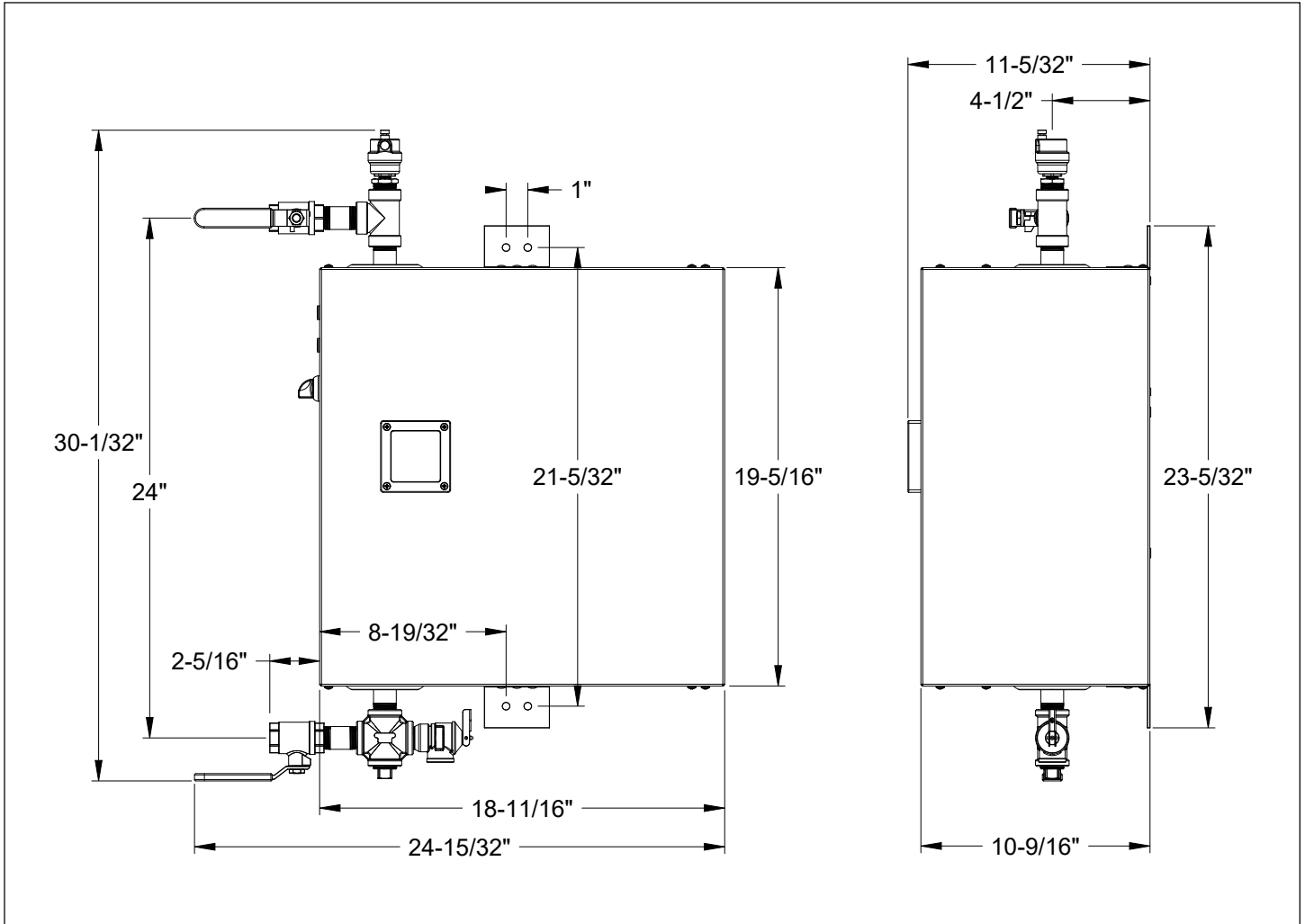
Certified to ANSI/UL Std. 499
Conforms to CAN/CSA
Std. C22.2 No.88



6 years against leakage /
2 years against defects in
workmanship & materials

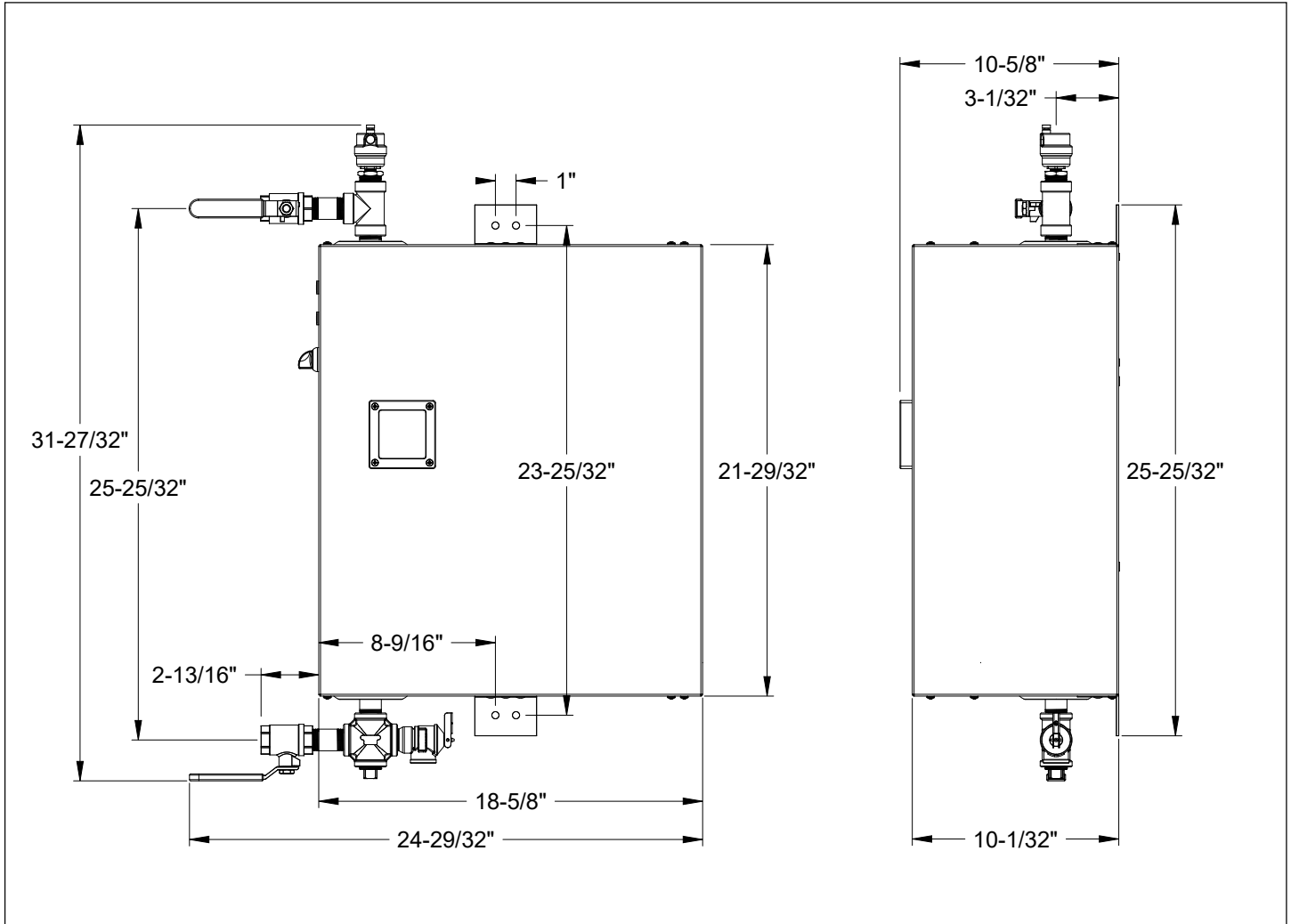
rev. 6.2026 Due to our continuous process of engineering and technological advancement, specifications may change without notice.

Dimensions - all models except CFPLUS-018-480D

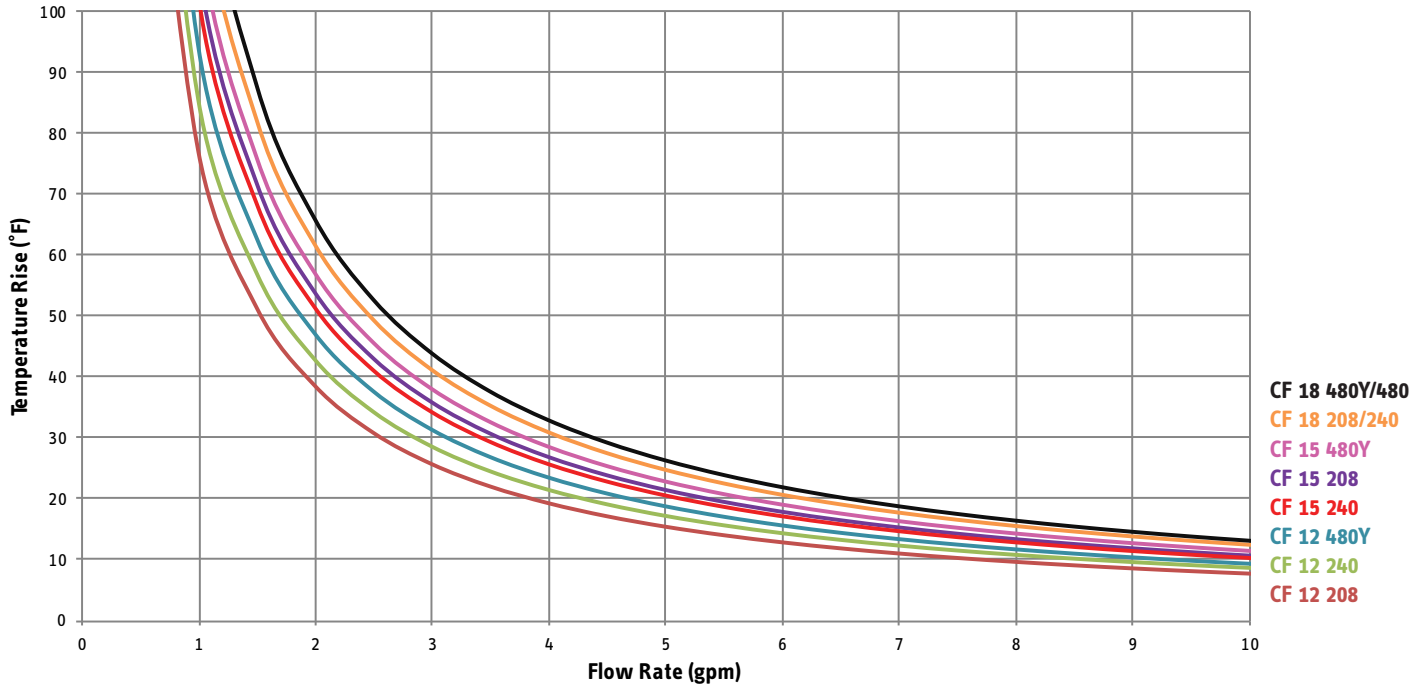


rev. 6.2026 Due to our continuous process of engineering and technological advancement, specifications may change without notice.

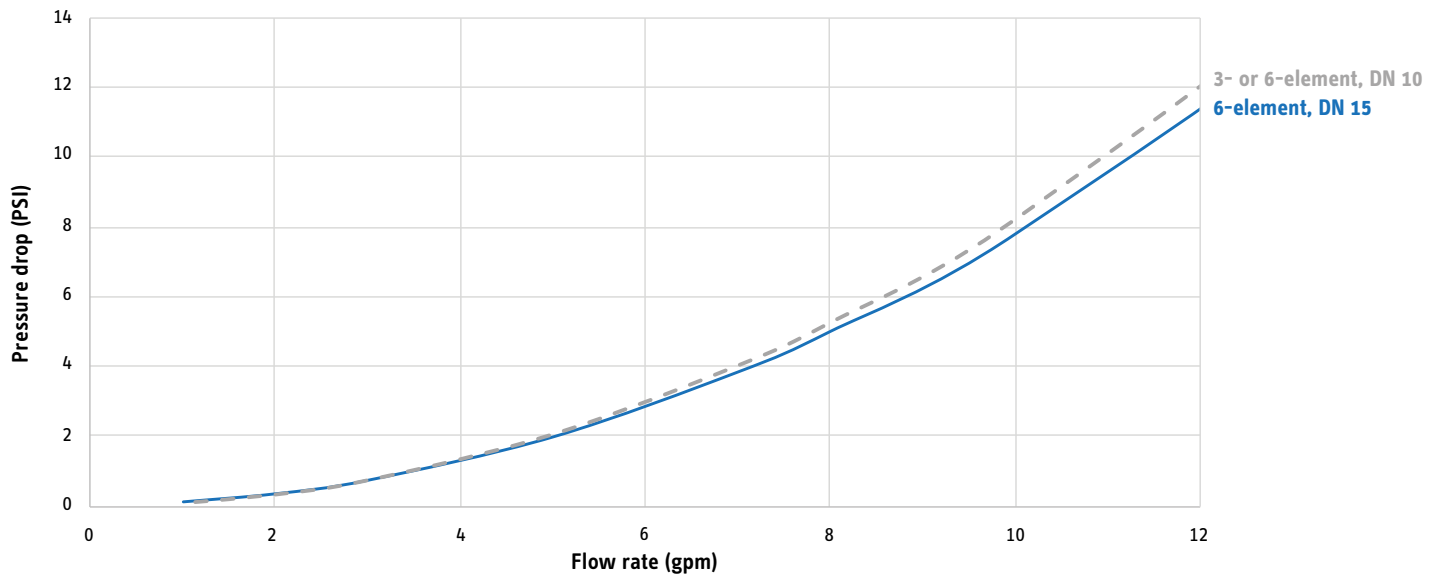
CFPLUS-018-480D dimensions



Temperature Rise vs. Flow Rate



Pressure Drop vs. Flow Rate



rev. 6.2026 Due to our continuous process of engineering and technological advancement, specifications may change without notice.