

STIEBEL ELTRON

CF Plus Series: 120 kW, 144 kW | Standard Indoor Enclosure, NEMA 4/4X Engineering Specification Sheet

Specifications

Model	CF Plus 120 kW, CF Plus 144 kW
Phase	3-phase
Inlet/outlet pipe connection	1¼" female NPT
Heat exchanger material	316L stainless steel
Enclosure rating	Standard indoor shown, NEMA 4/4X available
Operating pressure range	4-145 psi (0.28-10 bar)
Temperature setpoint options (programmed at factory, user adjustable)	60-180 °F (32-82 °C)
Number of heating elements	24
Minimum activation flow (hot start), DN 25	2.7 gpm (10.2 l/m)
Maximum flow at 60 psi	40 gpm (151.4 l/m)



Model	Part Number	Voltage	Phase	kW	Amps	3P Breaker Size (A)	Temperature Rise °F				
							5 gpm	10 gpm	20 gpm	30 gpm	40 gpm
CF Plus 120 kW	CFPLUS-120-480	480	3-phase delta	120.00	144.34	175	>100	82	41	27	21
CF Plus 144 kW	CFPLUS-144-480	480	3-phase delta	144.00	173.21	200	>100	98	49	33	25
	CFPLUS-144-575	575	3-phase delta	144.00	144.59	175	>100	98	49	33	25



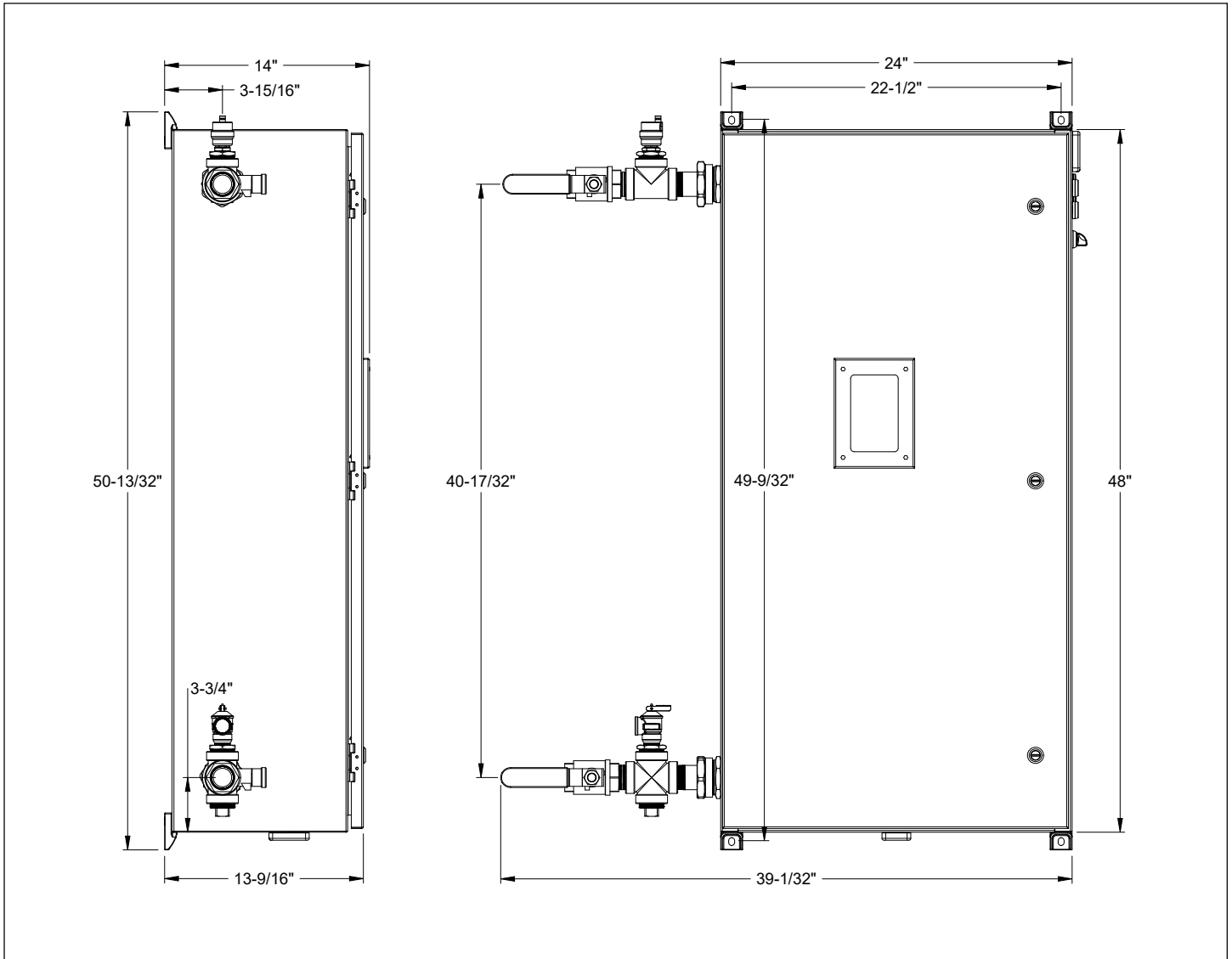
Certified to ANSI/UL Std. 499
Conforms to CAN/CSA
Std. C22.2 No.88



6 years against leakage /
2 years against defects in
workmanship & materials

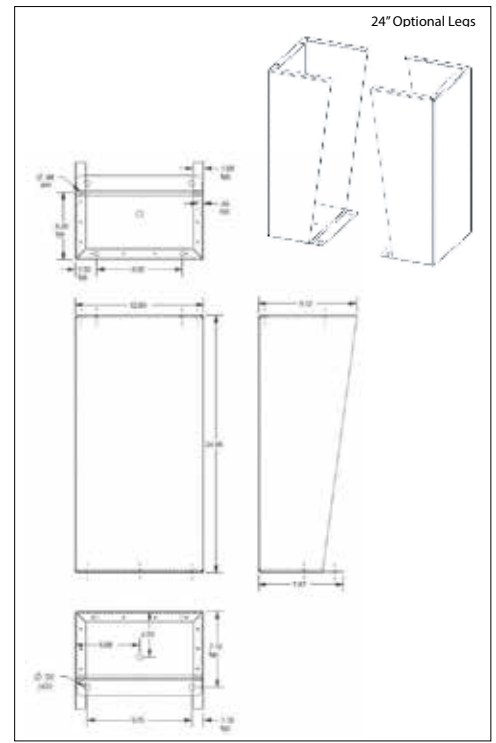
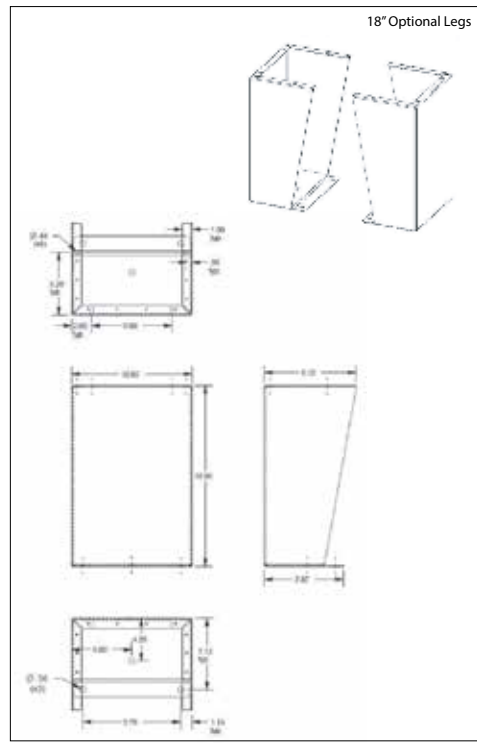
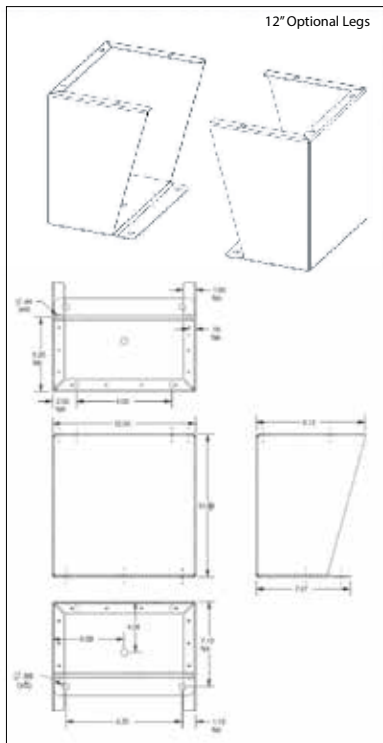
rev. 6.2026 Due to our continuous process of engineering and technological advancement, specifications may change without notice.

Dimensions

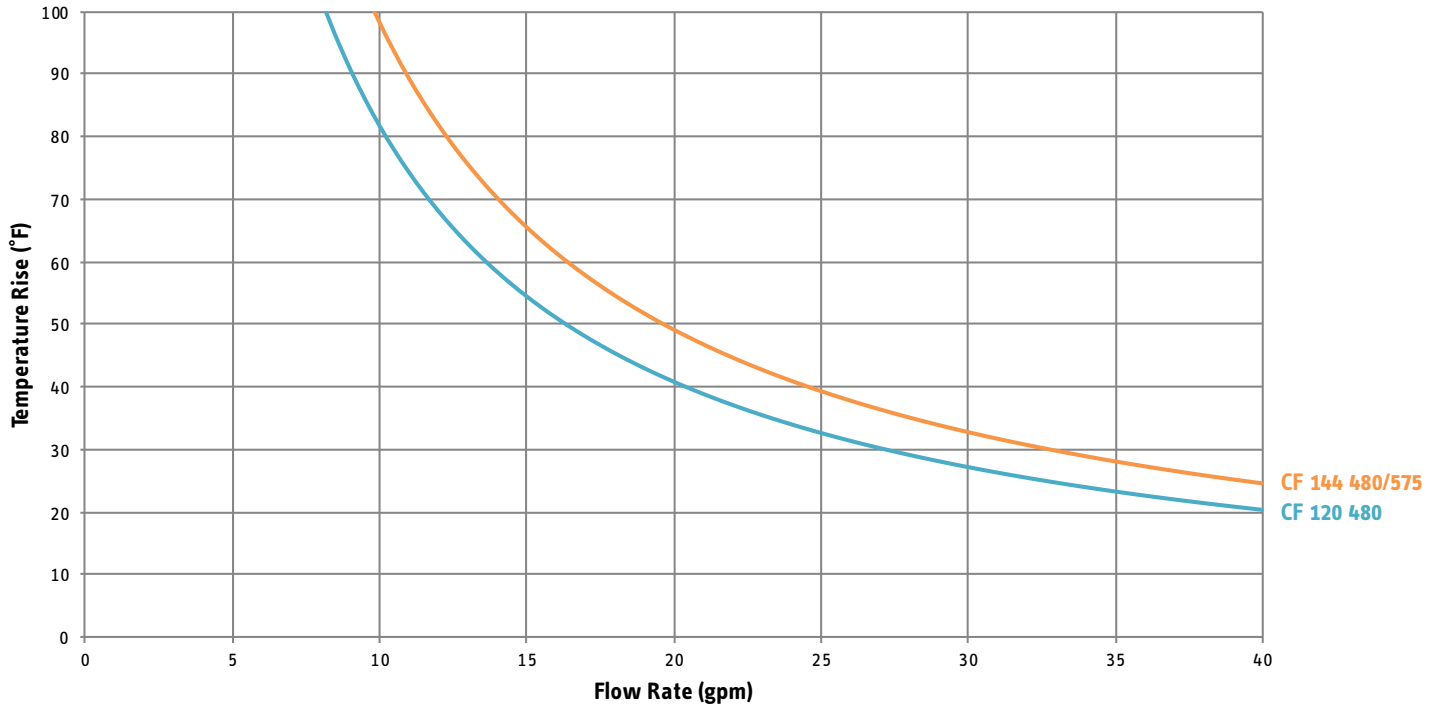


rev. 6.2026 Due to our continuous process of engineering and technological advancement, specifications may change without notice.

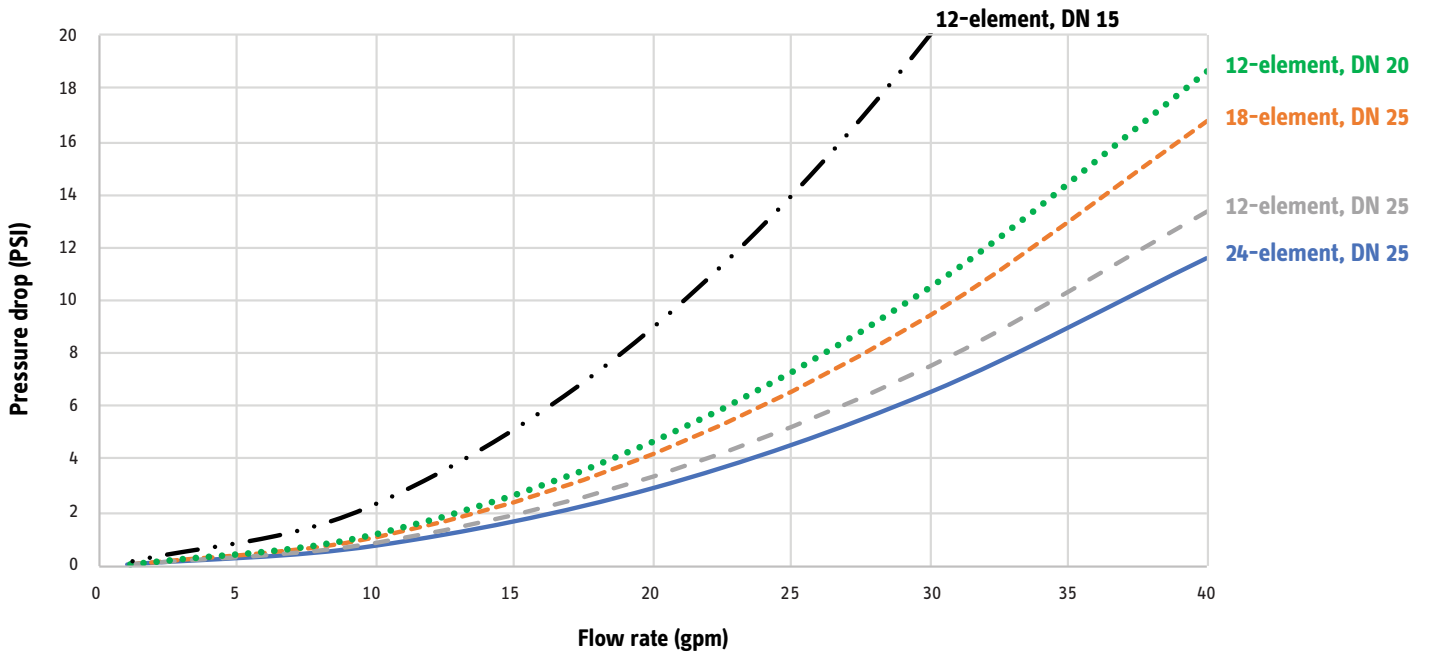
Dimensions for optional legs for NEMA 4 & 4X enclosures



Temperature Rise vs. Flow Rate



Pressure Drop vs. Flow Rate



rev. 6.2026 Due to our continuous process of engineering and technological advancement, specifications may change without notice.