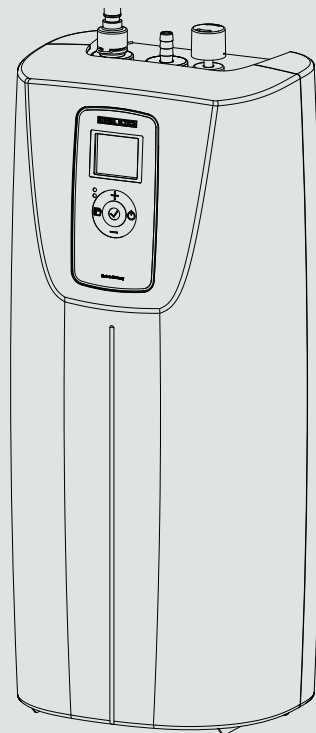


# OPERATION AND INSTALLATION INSTRUCTIONS INSTRUCCIONES DE FUNCIONAMIENTO E INSTALACIÓN MODE D'EMPLOI ET DIRECTIVES D'INSTALLATION

Instant Hot Water Dispenser  
Dispensador de Agua Caliente Instantánea  
Distributeur D'eau Chaude Instantanée

- » UltraHot Plus®
- » UltraHot Premium®



Conforms to UL Std. 94, 499  
Certified to CAN/CSA C22.2 No. 64

Conforme a UL Std. 94, 499  
Certificación con CAN/CSA C22.2 No. 64

Conforme à la norme UL Std. 94, 499  
Certifié à la norme CAN/CSA C22.2 No. 64



Tested and certified by WQA to NSF/ANSI/CAN 372  
for lead free compliance.

Probado y certificado por WQA NSF/ANSI/CAN 372  
para el cumplimiento de las regulaciones sin plomo.

Testé et certifié par WQA à la NSF/ANSI/CAN 372  
pour une utilisation sans plomb.

**STIEBEL ELTRON**

**IMPORTANT SAFETY INFORMATION**

**OPERATION**

1. **General information** \_\_\_\_\_ **3**

2. **Safety instructions** \_\_\_\_\_ **3**

2.1 Other symbols in this documentation \_\_\_\_\_ 3

2.2 Units of measure \_\_\_\_\_ 3

3. **Safety** \_\_\_\_\_ **4**

3.1 Proper use \_\_\_\_\_ 4

3.2 General safety guidelines \_\_\_\_\_ 4

3.3 cETLus / WQA \_\_\_\_\_ 5

3.4 Certification mark \_\_\_\_\_ 5

4. **Registering your product** \_\_\_\_\_ **5**

5. **Appliance description** \_\_\_\_\_ **5**

5.1 Operating the appliance \_\_\_\_\_ 5

5.2 User interface \_\_\_\_\_ 5

6. **Settings** \_\_\_\_\_ **6**

6.1 Setting the preferred temperature \_\_\_\_\_ 6

6.2 Standard settings \_\_\_\_\_ 6

6.3 Enable/disable standby mode \_\_\_\_\_ 7

6.4 Configuration menu \_\_\_\_\_ 7

7. **Cleaning, care, and maintenance** \_\_\_\_\_ **8**

8. **Troubleshooting** \_\_\_\_\_ **8**

**INSTALLATION**

9. **Safety** \_\_\_\_\_ **9**

9.1 General safety guidelines \_\_\_\_\_ 9

9.2 Codes, standards, and regulations \_\_\_\_\_ 9

10. **Appliance description** \_\_\_\_\_ **9**

10.1 Standard delivery \_\_\_\_\_ 9

10.2 Accessories \_\_\_\_\_ 9

11. **Preparations** \_\_\_\_\_ **9**

11.1 Installation location \_\_\_\_\_ 10

12. **Installation** \_\_\_\_\_ **10**

12.1 Installing the appliance \_\_\_\_\_ 10

12.2 Water connection \_\_\_\_\_ 10

12.3 Connecting to a water filter (required in hard water areas) \_\_\_\_\_ 11

12.4 Electrical connection \_\_\_\_\_ 11

13. **Commissioning** \_\_\_\_\_ **11**

13.1 Initial startup \_\_\_\_\_ 12

13.2 Restarting the appliance \_\_\_\_\_ 12

14. **Shutting down the appliance** \_\_\_\_\_ **12**

15. **Fault messages** \_\_\_\_\_ **12**

16. **Maintenance** \_\_\_\_\_ **13**

16.1 Draining the appliance \_\_\_\_\_ 13

16.2 Clean the strainer \_\_\_\_\_ 13

17. **Specification** \_\_\_\_\_ **13**

17.1 Dimensions and connections \_\_\_\_\_ 13

17.2 Country-specific approvals and certifications \_\_\_\_\_ 13

17.3 Extreme operating and fault conditions \_\_\_\_\_ 13

17.4 Data table \_\_\_\_\_ 14

18. **Warranty** \_\_\_\_\_ **15**

# IMPORTANT SAFETY INFORMATION



**WARNING:**  
**TO REDUCE THE RISK OF FIRE, ELECTRIC SHOCK, OR PERSONAL INJURY, BASIC SAFETY PRECAUTIONS MUST BE OBSERVED WHEN USING ELECTRICAL APPLIANCES, INCLUDING:**

- **READ ALL THE INSTRUCTIONS BEFORE USING THE APPLIANCE.**
- **This hot water appliance must be grounded. Only connect it to a properly grounded receptacle.**
- **Do not install or locate this hot water appliance except as specified in the installation instructions provided.**
- **Only use this hot water appliance for its intended purpose as described in this manual.**
- **Do not use an extension cord/cable with this hot water appliance. If no there is no existing receptacle in the vicinity of the hot water appliance, contact a certified electrician and have one properly installed.**
- **As with any electrical appliance, close supervision is required when it is being used by children.**
- **Do not operate the hot water appliance if the cable or plug is damaged, if it is not working properly, or if it has been damaged or dropped.**
- **This hot water appliance should only be serviced by qualified service staff. Contact the professional who installed the unit for inspections or adjustment.**
- **Do not place the hot water appliance in locations where the water lines could be exposed to freezing temperatures.**
- **Install the hot water appliance in such a way that if a leak occurs, the resulting water that escapes does not cause damage to the area around the hot water appliance.**
- **Make sure when installing the hot water appliance to leave sufficient clearance around the appliance in order make service and maintenance easier.**

# OPERATION

## 1. General information

These instructions are intended for users of the appliance and qualified contractors.



**Note**

Please read these instructions carefully before use and keep them near at hand.  
Pass the instructions on to any later users.

Read the entire manual. Failure to follow the guidelines, instructions, and rules could result in personal injury or property damage. Improper installation, adjustment, modification, service, and use of this appliance may result in serious injury.

Stiebel Eltron recommends professional installation of the appliance by a licensed plumber (and electrician if no 120 V grounded outlet is available and needs to be installed). The installation must comply with all national, state, and local regulations governing plumbing and electrical installations. The operator is responsible for ensuring proper installation. Failure to follow the installation and operating instructions or improper use will void the warranty.

Keep these instructions for later reference. The installer should leave these instructions with the user.

If you have questions about the installation, use, or operation of this hot water appliance or if you need additional manuals, please call our technical customer service at 800-582-8423 (USA and Canada only). If you are calling from outside the USA or Canada, please call +1-413-247-3380.

## 2. Safety instructions

### 2.0.1 Structure of safety instructions



**KEYWORD** Type of risk

Here, possible consequences are listed that may result from failure to observe the safety instructions.  
► Steps to prevent the risk are listed.

### 2.0.2 Symbols, type of risk

Symbol	Type of risk
	Injury
	Electrocution
	Burns (burns, scalding)

### 2.0.3 Keywords

KEYWORD	Meaning
DANGER	Failure to observe this information will result in serious injury or death.
WARNING	Failure to observe this information may result in serious injury or death.
CAUTION	Failure to observe this information may result in non-serious or minor injury.

## 2.1 Other symbols in this documentation



**Note**

General information is identified by the symbol shown on the left.  
► Read these texts carefully.

Symbol	Meaning
	Property damage (appliance, consequential, environmental damage)
	Appliance disposal

► This symbol indicates that you need to do something. The actions required are described step by step.

## 2.2 Units of measure



**Note**

Unless otherwise indicated, all dimensions are in inches (millimeters).

### 3. Safety



#### DANGER PERSONAL INJURY

- Read and follow the instructions in this document.
- Failure to follow these instructions may lead to serious bodily injury or death.
- The installation must comply with all national, state, and local regulations governing plumbing and electricity.
- Unplug the power cable before proceeding with installation or servicing this appliance. Failure to do so may lead to serious injury or death.
- Never remove the appliance cover. Doing so may lead to injury or death.
- Do not store or use gasoline or other flammable vapors or fluids near this or any other electrical appliance.



#### Property damage

Install this hot water appliance only in strict compliance with the instructions provided and the local electrical and building codes. Neither the manufacturer nor the distributor may be held liable for damage caused by improper installation or connection of the appliance.

#### 3.1 Proper use

The UltraHot Plus appliance is designed for residential use by untrained individuals. The UltraHot Premium is designed for residential and small office use, up to light commercial use such as larger offices, break rooms, lunch rooms, public facilities, houses of worship, etc.

Any use contrary or additionally to that described here is considered use contrary to the specified intended use. Intended use also includes complying with these instructions and the instructions for any accessories used.

This non-pressurized appliance heats drinking water almost to boiling point. UltraHot Plus/Premium appliances are equipped with a patented automatic boiling point detector. This feature allows the appliance to automatically determine the boiling point and then reduces the temperature to prevent the appliance from accidentally boiling dry.

##### 3.1.1 Water filter



#### Property damage

The UltraHot Plus/Premium appliance must be operated with a water filter when water hardness values are greater than or equal to 8.76 gpg (1.5 mmol/l). This will prevent limescale buildup in the appliance. Using the appliance without an external water filter at values above these will void the appliance warranty. Damage to the appliance caused by limescale or a high mineral concentration is not covered by the warranty.

##### 3.1.2 Flushing recommendation

Water is one of the most important nutrients there is, and it is subject to very high standards. To help ensure that the UltraHot Plus/Premium hot water appliance meets these standards at all times, we would like to give you a few important tips.

Storing hot water can in certain cases change the taste or smell of the water. This may be caused by substances in the water that enter the appliance from outside through the piping. For that reason, we strongly recommend using a water filtration system.

The act of storage itself can affect the water, regardless of what material a storage tank is made of. This change usually occurs when the appliance has not been used for longer periods of time. The UltraHot Plus/Premium has a high grade stainless steel (1.4404 | 316L) tank that is fully approved for hot water heating.

In order to prevent unwanted water quality deterioration, observe the general standards regarding plumbing installations for the UltraHot Plus/Premium. These state that long stand-by periods without usage should be avoided, or that regular flushing is required.

Specifically, we recommend a daily minimum water usage of around 0.5 gal. (2 liters). If you go without using this minimum amount for a longer period of time (after around 4 days), please drain off the entire contents of the appliance (approx. 0.7 gal. (2.6 liters)), so that you are heating fresh water again. For longer periods where no water is being drawn, we also recommend switching the appliance to standby beforehand, and then draining the tank once completely before resuming normal use.

#### 3.2 General safety guidelines



#### CAUTION Burns

- The faucet can reach a temperature of over 140 °F (60 °C).
- Scalding may occur at outlet temperatures greater than 109.4 °F (43 °C).



#### WARNING Injury

This appliance can be used by children 8 years of age and over and persons with reduced physical, sensory, or mental capacities or limited experience and knowledge if they are supervised or instructed in how to use the appliance safely and understand the risks that result from its use. Children must not be allowed to play with the appliance. Children may not perform cleaning and user maintenance without supervision.



#### Property damage

Do not allow the appliance and the faucet to freeze.



#### Property damage

Discoloration may occur if hot water persistently drips on sink surfaces made of composite materials.

# Registering your product

### 3.3 cETLus / WQA

The cETLus mark indicates that the appliance meets all electrical safety requirements for operation in the USA and Canada.

- Certified to ANSI / UL 94 & UL 499
- Conforms to CAN/ CSA C22.2 No. 64
- Tested and certified by WQA to NSF/ANSI/CAN 372 for lead free compliance.

### 3.4 Certification mark

See the appliance type plate.

## 4. Registering your product



**Note**

You must register this product on our website within 90 days of purchase in order to activate the standard warranty or to apply for the extended warranty. Go to our website at: [www.stiebel-eltron-usa.com](http://www.stiebel-eltron-usa.com) and click on "Register Your Product".

Before you begin the registration process, we recommend that you gather the following required information:

Model, for example: UltraHot Plus (on the label located on the top of the unit in the middle)

Number listed after "Nr."

Where purchased

Date purchased

First and last name

Email address

Physical address

Telephone number

If you have questions about the registration process or warranty options, please contact Stiebel Eltron USA directly at either 800-582-8423 or 413-247-3380.

## 5. Appliance description

This appliance uses electricity to heat hot water. The UltraHot Plus/Premium appliance is equipped with a patented automatic boiling point detector that automatically determines the boiling point, and then reduces the temperature by 9°F (5°C) to prevent the appliance from accidentally boiling dry. Automatic boiling point detection will occur again if the appliance is unplugged or loses power for approximately 18 hours.

The anti-drip feature prevents expanding water from escaping from the kitchen faucet while it is being heated.

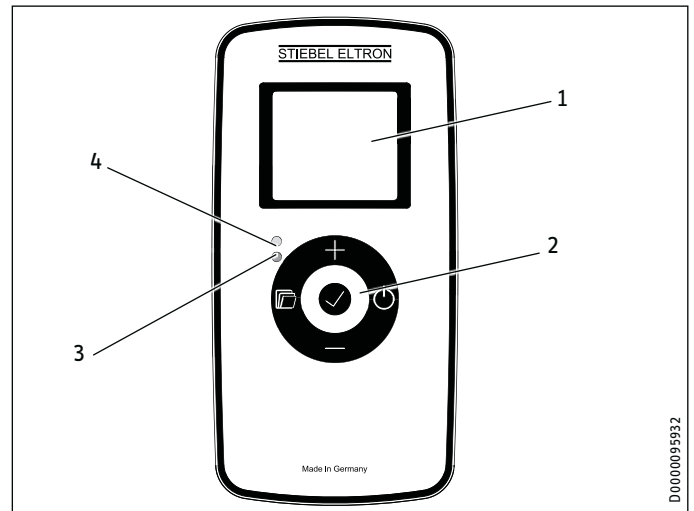
Suitable non-pressurized hot water faucets can be used to draw hot water from the appliance. Stiebel Eltron has faucets specially designed for the UltraHot Plus/Premium.



**Note**

To prevent damage to the appliance and the installation, only compatible non-pressurized kitchen faucets or taps must be used with this appliance. Stiebel Eltron faucets have been tested and approved for use with the UltraHot Plus/Premium appliances.

### 5.1 Operating the appliance



- 1 Display
- 2 User interface
- 3 Red LED
- 4 Green LED

### 5.2 User interface

Button	Name	Description
	"Menu" button	Bring up and exit menus Short text: Bring up standard settings Long text: Bring up configuration menu
	"OK" button	Apply selection and settings.
	"On/Off" button	Enable and disable standby mode
	"+" button	Bring up menu items Change settings Enable and disable operating lock
	"-" button	Bring up menu items Change settings Enable and disable operating lock








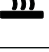

#### 5.2.1 LED indicator

LED	Meaning
Red LED lit	Heating is on
Green LED blinking, red LED lit	Boiling point detection
Both LEDs blinking quickly (1 sec)	Fault. Note the text on the display.

# OPERATION

## Settings

### 5.2.2 Display symbols

Symbol	Description
	Time display: Displays the current time or a programmed start time.
	Timer mode: The appliance is heating according to the selected time program.
	Preferred temperature: The appliance maintains the set preferred temperature and shows it on the display.
	Night mode: The appliance maintains the preset lower nighttime temperature.
	Frost protection: The appliance is protected from freezing (frost protection temperature = 45°F (7°C)). The faucet and water line are not protected.
	Operating lock The user interface is locked.
	Heating active: The appliance is heating in order to maintain the preset target temperature.
	Temperature display
	Edit parameter: The displayed parameter can be changed using the "+" and "-" buttons.

### 5.2.3 Default display

After switching on the appliance, and once the boiling point detection is completed, the default display shows the desired temperature or "HOT" displayed continuously.

If you are in a menu and do not perform any operator activity for more than 20 seconds, the appliance automatically returns to the default display.

#### Backlight

If there is no user interaction for 20 seconds, the display backlight switches off. Pressing any button switches the backlight back on.

#### Operating lock

To block the user interface from accidental use or to unlock it, press and hold the "+" and "-" buttons at the same time for 5 seconds.

## 6. Settings

### 6.1 Setting the preferred temperature

You can use the user interface buttons to set the temperature you prefer between 149 °F (65 °C) and the boiling point temperature that was automatically detected [-9 °F (-5 °C)].

- ▶ Press the "+" or "-" button until the desired temperature is displayed.

The hot water appliance automatically applies the setting after 20 seconds.


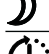



#### Note

If you use a time program, the preferred temperature is automatically reset after the end of the timer mode to the maximum temperature set by the automatic boiling point detection.

### 6.2 Standard settings

You can set the appliance standard settings here. The following menu items are available for this purpose:

Display	Description
	Set weekday and time
	Set night mode temperature (factory setting = 149 °F (65°C))
	Enable timer mode (Pro1, Pro2, Pro3) or disable it (off)

- ▶ To access the standard settings, briefly press the "Menu" button. You can now use the "+" and "-" buttons to bring up the menu items:
- ▶ If you wish to change one of the menu items, bring up the corresponding menu item using the "+" and "-" buttons. Press the "OK" button.
- ▶ As soon as the "Edit parameter" symbol appears, you can change the menu item settings using the "+" and "-" buttons. To save the settings, press the "OK" button.
- ▶ To exit the standard settings, press the "Menu" button. The default display appears.

#### 6.2.1 Set day of the week and time

The day of the week and time settings are required for the time programs to operate correctly.

- ▶ Navigate to the menu item "Set day of the week and time"
- ▶ Set the day of week with the "+" and "-" buttons. The day of the week is set numerically: "1" stands for Monday.
- ▶ Press "OK".
- ▶ Set the time using the "+" and "-" buttons. The time is set by continuously increasing/ decreasing the minutes. Pressing and holding the "+" or "-" button for longer activates the fast scroll.
- ▶ To exit the setting of day of the week and time, press "OK".



#### Notes

- You must set the weekday and time at initial startup and after long periods disconnected from power (more than approx. 8 hours).
- You can select the 12 or 24-hour time format in the configuration menu.

#### 6.2.2 Set the night mode temperature

For periods when no hot water is needed, the appliance temperature setting can be reduced to an adjustable lower "night mode" value, based on the time of day. This feature is good for the environment and helps to save energy as well.

If desired, the factory default night mode temperature of 149 °F (65 °C) may be adjusted:



# OPERATION

## Settings

- ▶ Navigate through the standard settings to the “Set night mode temperature” menu item and adjust the temperature setting using the “+” and “-” buttons.
- ▶ To save the settings, press the “OK” button.

Preprogrammed settings (Pro1 and Pro2) utilize the night mode function. It is also possible to set a custom time program (Pro3) that will determine the hours night mode is active.

### 6.2.3 Select or disable time program/timer mode

Using the time programs Pro1 and Pro2, choose the start and end time for hot water operation. The appliance operates in night mode outside of this preset time range. This provides a hot water phase and a night mode phase that repeats daily (Pro1) or every workday (Pro2).

- ▶ Navigate through the standard settings to the “Enable timer mode” menu item and select the desired time program using the “+” and “-” buttons. If a time program is already enabled, select “Off” to disable it.
- ▶ To save the settings, press the “OK” button.

Display	Description
Pro1	Cycle: daily for private residences, for example
Pro2	Cycle: workdays for places of work, for example
Pro3	User defined. See section “Pro3”, page 8.
Off	appliance always operates in hot water mode

The Pro1 and Pro2 time program factory settings are configured as follows:

- 8:00 am – 10:00 pm: Hot water mode
- 10:00 pm – 8:00 am: Night mode



#### Note

When time program Pro2 is activated, the appliance stays in night mode for the entire weekend.

### 6.3 Enable/disable standby mode

You can switch the appliance to standby mode when you are going to be away for longer periods of time. In standby mode, the temperature of the tank contents is maintained at 45 °F (7 °C) to protect the appliance from freezing.

The appliance itself is always protected from freezing when connected to a power supply. However, the kitchen faucet and water connections are not protected from freezing by the appliance, even when it is has power.

- ▶ Press the “On/Off” button on the user interface to enable/disable standby mode.

The display shows “---” while standby mode is active.

During standby a ❄️ symbol is displayed.

### 6.4 Configuration menu

You can display the actual values, program the time programs for timer mode, and set other parameters in the configuration menu.

Display	Description	Unit
I1	Actual temperature	°C   °F
I2	Operating time in days	d

Display	Description	Unit
I3	Heating time in hours (meter resets to 0 after 9999)	h
Pro1-Pro3	Time programs	
P3	Set time format	12 h   24 h
P4	Set temperature units	°C   °F
P6	Reset to factory settings	on   off

- ▶ To access the configuration menu, press and hold the “Menu” button. After around 3 seconds, the actual value I1 is displayed.
- ▶ You can use the “+” and “-” buttons to switch between the individual actual values, time programs, and parameters.
- ▶ If you wish to change the value of a parameter, bring up the corresponding parameter using the “+” and “-” buttons. Press the “OK” button.
- ▶ As soon as the “Edit parameter” symbol appears, you can change the parameter value using the “+” and “-” buttons. To save the value you have set, press the “OK” button.
- ▶ To exit the configuration menu, press the “Menu” button. The default display appears.

#### 6.4.1 Program time programs/timer mode

There are three time programs available for using the appliance in timer mode. Time programs Pro1 and Pro2 are pre-configured at the factory, but can be adjusted as needed. You can set time program Pro3 to meet your individual needs.

Display	Description
Pro1	Cycle: daily for private residences, for example
Pro2	Cycle: workdays for places of work, for example
Pro3	User defined. See section “Pro3”, page 8.



#### Note

Make sure when setting the time programs that the day of the week and the time are set correctly on the appliance.



#### Note

Activating standby mode (“On/Off” button) disables the timer mode.

#### Pro1 | Pro2

UltraHot Plus/Premium has 3 time programs: Pro1, Pro2, and Pro3. Pro1 and Pro2 are preprogrammed at the factory, but you can also adjust them as needed.

To set time programs Pro1 and Pro2 to meet your needs, proceed as follows:

- ▶ Use the “+” and “-” buttons in the configuration menu to bring up the required time program.
- ▶ Press the “OK” button. The starting time for hot water operation is displayed.
- ▶ Set the required start time using the “+” and “-” buttons.
- ▶ Press the “OK” button. The ending time for hot water operation is displayed.
- ▶ Set the required end time using the “+” and “-” buttons.
- ▶ Press the “OK” button. The time program is now configured.

# Cleaning, care, and maintenance

## Pro3

You can use time program Pro3 to specify up to 14 separate hot water phases that repeat on a weekly basis.

To configure a hot water phase in time program Pro3, proceed as follows:

- ▶ Use the “+” and “-” buttons in the configuration menu to bring up the Pro3 time program.
- ▶ Press the “OK” button.  
The display indicates “3---”.
- ▶ Press the “OK” button.  
The display shows a weekday or a group of weekdays.
- ▶ Use the “+” and “-” buttons to set the required day of the week or required group of weekdays.
- ▶ Press the “OK” button.  
The starting time for hot water operation is displayed.
- ▶ Set the required start time using the “+” and “-” buttons.
- ▶ Press the “OK” button.  
The ending time for hot water operation is displayed.
- ▶ Set the required end time using the “+” and “-” buttons.
- ▶ Press the “OK” button.  
Hot water phase “3-01” is now configured. The display shows time program Pro3 again.
- ▶ To configure another hot water phase, press the “OK” button. Use the “+” and “-” buttons to select the display “3---”. Proceed as described above.



### Note

The following applies for all time programs (Pro1, Pro2, Pro3):

- If the end time is earlier than the start time, the end time is automatically applied to the next weekday. The hot water phase is maintained past midnight and ends on the next weekday at the preset end time.



### Note

Activate the required time program in the standard settings (see the section "Operation / Settings / Standard settings").



### Note

To reset the hot water phases you have set, activate the parameter "Reset to factory settings".

- ▶ Note that resetting to factory settings will reset all the appliance settings to their original factory settings.

## 6.4.2 Set time format

You can use the P3 parameter to determine whether the time is displayed in 12 or 24-hour format.

## 6.4.3 Set temperature display units

You can use the P4 parameter to determine whether the temperature is displayed in Fahrenheit (°F) or Celsius (°C). Factory setting = °F.

## 6.4.4 Reset to factory settings

Activating parameter P6 resets the appliance to its original factory settings.

- ▶ After activating parameter P6, you must wait about 10 seconds, unplug the appliance power plug, wait another 10 seconds, and then plug it back in.

The appliance settings will then reset to the factory settings.

# 7. Cleaning, care, and maintenance

- ▶ Do not use abrasive or corrosive cleaning agents. A damp cloth is sufficient for cleaning and care of the appliance.
- ▶ Check the faucet regularly. Remove any limescale on the spout using commercially available descaling agents. If there is an aerator, remove it from the screw fitting to descale it. Stiebel Eltron taps are fitted with an aerator.

## Flush the appliance and faucet



### Note

If the appliance has been in standby mode for more than a week or has been completely disconnected from the power supply, we recommend flushing the appliance.

- ▶ Leave the hot water outlet valve open for around 3 minutes.

# 8. Troubleshooting

Problem	Cause	Solution
Appliance is not supplying hot water.	There is no power to the appliance.	Check the circuit breaker in the main breaker panel.
	The appliance is in standby mode.	Switch the appliance on by pressing the "On/Off" button.
	The strainer in the appliance cold water supply is clogged.	Clean the strainer as shown in chapter 16.2.
Only a small amount of water is coming out of the kitchen faucet.	The strainer in the appliance cold water supply is clogged.	Clean the strainer as shown in chapter 16.2.
Water temperature is not rising above 194 °F (90 °C).	Boiling point detection has shut off incorrectly.	Reset the appliance to its factory settings and repeat commissioning.

If you are unable to fix the problem, call a qualified contractor. To allow the contractor to assist you better and faster, please provide the number from the type plate (000000-0000-000000-0000).



# INSTALLATION

## 9. Safety

Installation, commissioning, and maintenance and repair of the appliance may only be performed by a qualified contractor.



**WARNING Injury**  
Do not install the appliance anywhere where it might regularly be sprayed with water. Doing so may result in electric shock.



**WARNING Injury**  
Hot water lines may be hot to the touch. Insulation must be used for hot water pipes placed lower than 36" (0.91 m) to eliminate burn hazards for children.



**Property damage**  
Hard water or water with a high mineral content can damage the appliance. Damage to the appliance caused by limescale or a high mineral concentration is not covered by the warranty.  
Stiebel Eltron recommends the use of an external filter system in the UltraHot Plus/Premium cold water supply.



**Property damage**  
This appliance should not be installed in a location where it may be exposed to freezing temperatures (below 35.6 °F (2 °C)). If the appliance may be exposed to freezing temperatures, you must drain all of the water from the appliance. Failure to follow this instruction will void any warranty.

The appliance should be installed in an area where water escaping from the appliance or the connections will not cause damage to the area surrounding the appliance. If such a location cannot be avoided, it is recommended that a drain pan be installed under the appliance..

### 9.1 General safety guidelines

We guarantee trouble-free function and operational reliability only if compatible accessories intended for the appliance are used.

### 9.2 Codes, standards, and regulations



**Note**  
Observe all national and regional codes and regulations.

## 10. Appliance description

The open (non-pressurized) appliance is designed only for undersink installation. The appliance is designed to supply a draw-off point for near-boiling water.

The appliance may only be installed and used with an open (non-pressurized) faucet from Stiebel Eltron or another manufacturer. If you use fittings other than these, it will void the appliance warranty.

### 10.1 Standard delivery

The following are delivered with the appliance:

- Wall mounting bracket

### 10.2 Accessories

#### 10.2.1 Optional accessories

Stiebel Eltron compatible faucets are available separately.

#### 10.2.2 Additional recommended accessories

- Water filter for the cold water supply connection (available separately)

## 11. Preparations

- Flush out the water line thoroughly.

### Plumbing installation

A safety valve is not required.

### Faucets

Suitable non-pressurized hot water faucets can be used to draw hot water from the appliance. Stiebel Eltron has faucets specially designed for the UltraHot Plus/Premium.



**Note**  
To prevent damage to the appliance and the installation, only compatible non-pressurized kitchen faucets or taps must be used with this appliance. Stiebel Eltron faucets have been tested and approved for use with the UltraHot Plus/Premium appliances.

# INSTALLATION

## Installation

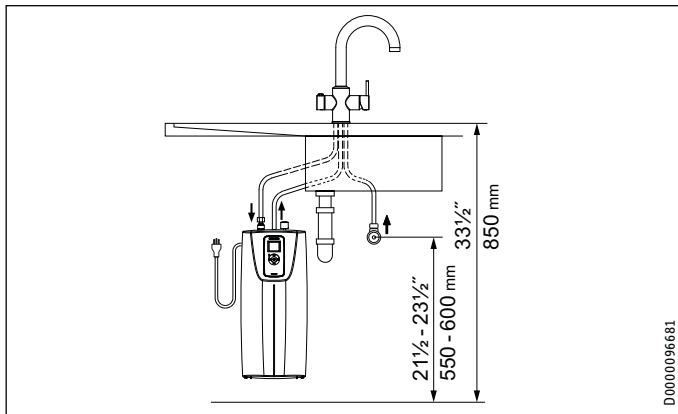
### 11.1 Installation location

**! Property damage**  
Install the appliance only in a frost-free space.

**! Property damage**  
The appliance is designed only for undersink installation. The appliance water connections face toward the top.

**Note**  
Make sure that enough clearance is left around the appliance for maintenance work.

Install the appliance vertically and in the vicinity of the draw-off point.

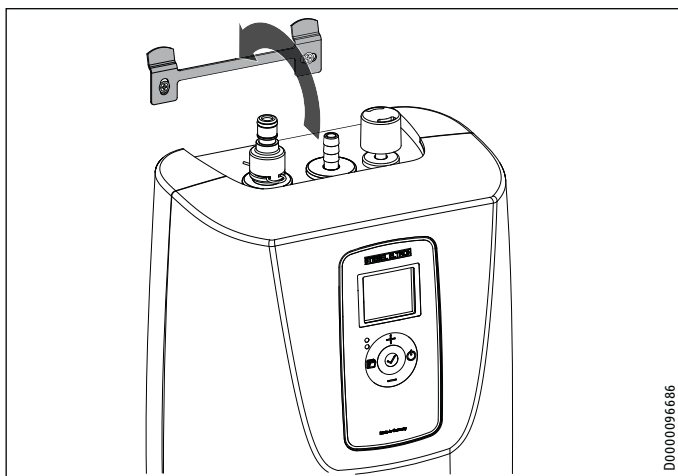


1 Minimum clearances

## 12. Installation

### 12.1 Installing the appliance

- ▶ Mark the drill hole points using the bracket as a template.
- ▶ Drill the holes and secure the wall mounting bracket with the appropriate screws and accessories if needed for the wall substrate.
- ▶ Hang the appliance on the wall mounting bracket.



1 Mounting the UltraHot Plus/Premium

### 12.2 Water connection

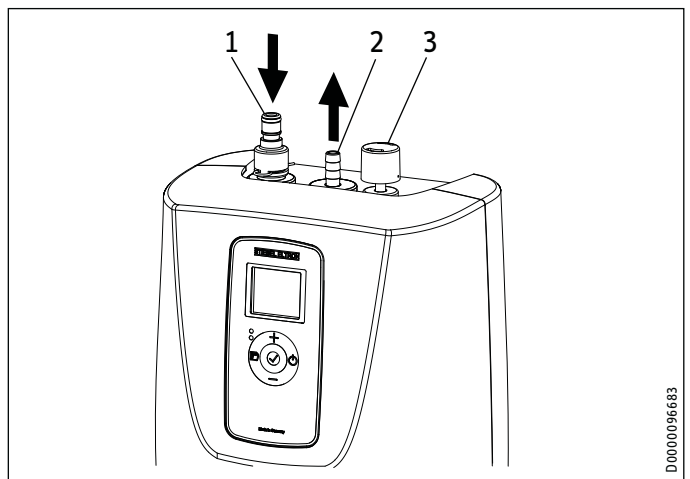
**! Property damage**  
Carry out all plumbing connection and installation work according to instructions.

**! Property damage**  
The appliance can leak and may fail to operate if installed improperly.

- ▶ Do not expose the appliance to any water pressure.
- ▶ Do not mix up the water connections.

Match the color coding of the water connection fittings and the appliance:

- 1 Blue = cold water supply inlet - push-fit connector
- 2 Red = hot water outlet - nozzle
- 3 White = air vent tube & automatic cap



Plumbing connections

- ▶ For the cold water supply: Plug the push-fit connector of the fitting onto the cold water supply of the UltraHot Plus/Premium.
- ▶ For the hot water outlet: Push the  $\frac{7}{16}$ " hose of the faucet onto the nozzle of the hot water outlet on the UltraHot Plus/Premium as far as it will go.
- ▶ Secure the connection location by sliding on the ear clamp provided and tightening it with ear clamp pliers, crimping pliers, or end cutters.

**Note**  
The hot water outlet tube should be installed so that it rises in a constant slope to the faucet, without any sag in the hose.

- ▶ For the air vent tube: UltraHot Plus/Premium is equipped with an automatic air vent and does not need a hose connected to it. If installing a near-boiling water dispenser faucet with a vent hose to an UltraHot Plus/Premium, the vent hose may be left unconnected and the automatic vent on the UltraHot Plus/Premium will vent the appliance as needed. The vent hose can be connected to the UltraHot Plus/Premium if desired by pulling the automatic vent cap on the UltraHot Plus/Premium upwards. The vent hose from the faucet can then be pushed onto the remaining vent tube.

# INSTALLATION

## Commissioning



**Note**  
Make sure that the plumbing connections are not kinked during installation. Avoid applying any tension during installation.

### 12.3 Connecting to a water filter (required in hard water areas)



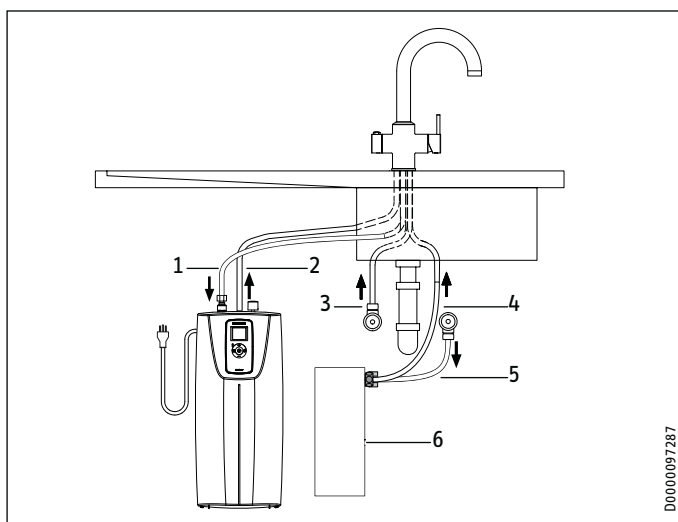
**Property damage**  
The UltraHot Plus/Premium appliance must be operated with a water filter when water hardness values are greater than or equal to 8.76 gpg (1.5 mmol/l). This will prevent limescale buildup in the appliance. Using the appliance without an external water filter at values above these will void the appliance warranty. Damage to the appliance caused by limescale or a high mineral concentration is not covered by the warranty.

In areas with hard water, when water hardness values are greater than or equal to 8.76 gpg (1.5 mmol/l), the UltraHot Plus/Premium appliance must be operated with a water filter (not supplied). For the water filter to work properly, it should be installed between the wall connection and the faucet.



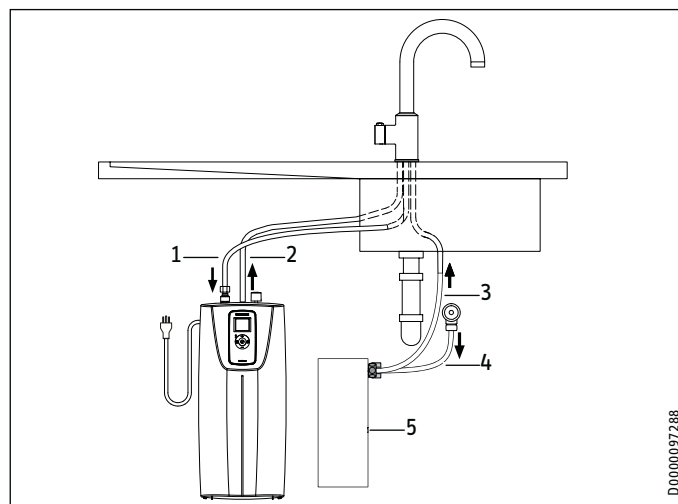
**Note**  
Follow the filter manufacturer's operating and installation instructions when installing the water filter (not supplied).

#### 12.3.1 Connecting the recommended water filter and a 3-in-1 kitchen faucet



1	Cold water supply to the appliance	Plastic hose with push-fit connector
2	Hot water outlet from appliance	$\frac{7}{16}$ " plastic hose
3	Warm water supply to the faucet	Short flexible hose with red braid
4	Cold water supply to the faucet	Short flexible hose with blue braid
5	Cold water supply to the filter	
6	Suggested water filter (not supplied)	

#### 12.3.2 Connecting the recommended water filter and single near-boiling water faucet



1	Cold water supply to the appliance	Plastic hose with push-fit connector
2	Hot water outlet	$\frac{7}{16}$ " plastic hose
3	Cold water supply to the faucet	Short flexible hose with blue braid
4	Cold water supply to the filter	
5	Suggested water filter (not supplied)	

### 12.4 Electrical connection



**WARNING Electrocutation**  
Carry out all electrical connection and installation work according to instructions.



**Property damage**  
The voltage indicated on the type plate must match the utility voltage.  
► Note the type plate.

The following electrical connection options are permitted:

- Connection to a freely accessible grounded receptacle with an appropriate plug.

## 13. Commissioning



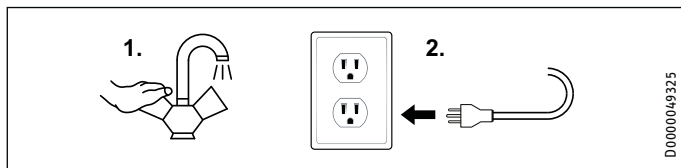
**WARNING Electrocutation**  
Commissioning may only be performed by a qualified contractor in compliance with safety codes.



**Note**  
During initial start-up and following prolonged power supply interruptions (approx. 8 hours), you must set the day of the week and the time.

## Shutting down the appliance

### 13.1 Initial startup



- ▶ Open the hot and cold water supply line valves.
- ▶ Open the faucet's hot water tap and let it run until water without any bubbles comes out (at least 3–5 min). Observe the faucet instructions when doing so.
- ▶ Once the stream is free of air bubbles, close the hot water tap.
- ▶ Check to ensure none of the plumbing connections are leaking.
- ▶ Insert the plug into the grounded receptacle.



#### Note

If the proper sequence (first water, then power) is not followed, it will trigger the dry-run protection.

#### 13.1.1 Dry-run protection check

At initial startup and after every power interruption, the appliance control board performs a dry-run protection check. The dry-run protection check will take approximately 60 seconds.

During the dry-run protection check:

- Different symbols and texts are shown on the display
- The display's backlighting is switched on
- Do not use the appliance
- Do not disconnect the appliance from the power supply
- Do not draw off water from the appliance at the faucet

If the dry-run protection has responded due to a lack of water in the appliance, the fault code "E1" is displayed. The appliance is locked out of restarting for 5 minutes.

Proceed as follows:

- ▶ Ensure the cold and hot water supply valves are open.
- ▶ Fill the appliance with water via the hot water valve on the tap.
- ▶ After a lockout time of 5 minutes, the appliance carries out a new boil-dry protection check.
- ▶ If the fault continues to be displayed, reset the appliance (P6 = on).

#### 13.1.2 Boiling point detection

After the dry-run check has completed successfully, the appliance starts the automatic boiling point detection.

During this time "boil" is displayed. The red LED is constantly illuminated. Boiling point detection takes approximately 15 minutes. The duration depends on the cold water temperature.

Once boiling point detection has been completed, the maximum temperature determined is shown on the display and set as the preferred temperature.

#### 13.1.3 Appliance handover

- ▶ Explain the function of the appliance to the user. Familiarize them with its operation.
- ▶ Tell the user about potential hazards, especially the risk of scalding.
- ▶ Hand these instructions to them, along with the instructions for any accessories.

### 13.2 Restarting the appliance

See the section "Installation / Commissioning / Initial startup".

## 14. Shutting down the appliance

- ▶ Disconnect the appliance from the power supply by unplugging it or switching off the circuit breaker at the load center.
- ▶ Drain the appliance (see "Installation / Maintenance / Draining the Appliance").

## 15. Error messages

Flashing LEDs are used to indicate errors. The corresponding fault code appears on the display:

Error code	Cause	Solution
E001	Dry running	See "Initial startup / Dry-run check".
E002	Temperature sensor fault (break, short-circuit)	Replace appliance
E007	Waiting to cool to boiling point detection	Open the hot water valve until the water coming out is cold. Close the valve and wait for successful boiling point detection.
E999	General error	Switch off the appliance and contact Stiebel Eltron

## 16. Maintenance



**WARNING Electrocutation**  
Completely disconnect the appliance from the power supply when performing any work on it.

- ▶ Uninstall the appliance when performing maintenance.

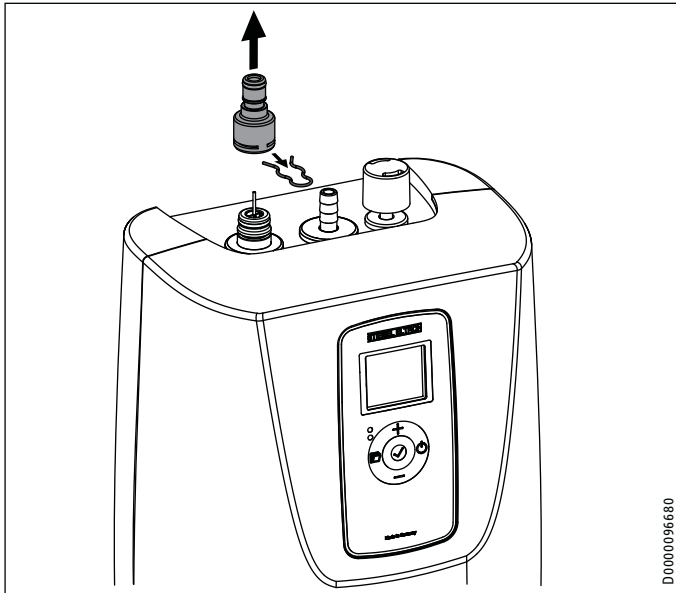
### 16.1 Draining the appliance



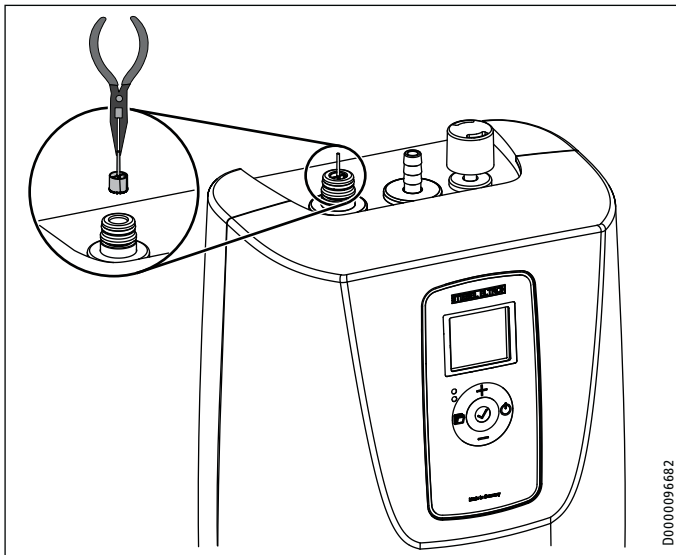
**WARNING Burns**  
Hot water may escape when draining.

- ▶ Before you drain the appliance, unplug the power plug and flush for at least two minutes until only cold water is coming out of the hot water outlet of the faucet.
- ▶ Drain the appliance via the connectors.

### 16.2 Clean the strainer



1 Disconnect the push-fit connector

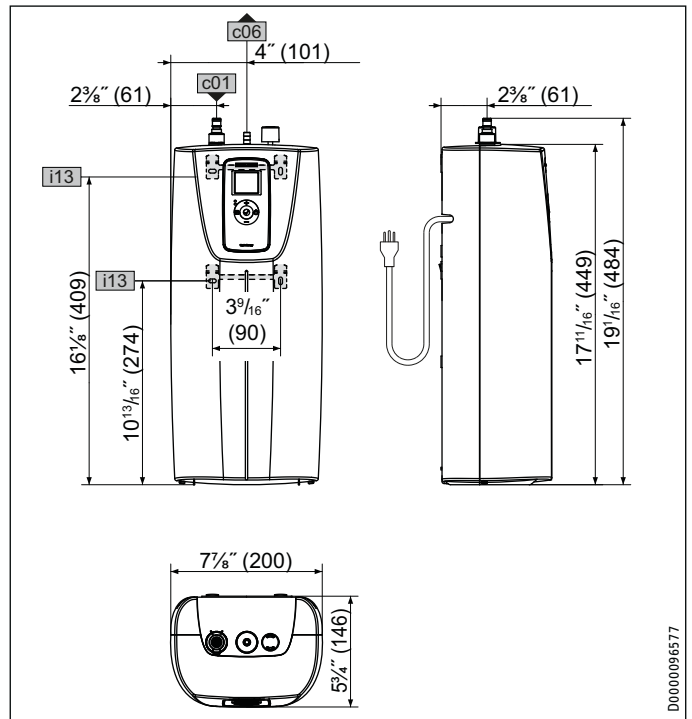


2 Remove the strainer

- ▶ Remove the cold water supply connection.
- ▶ Disconnect the push-fit connector from the appliance.
- ▶ Using pliers, pull the strainer out of the cold water supply connection.
- ▶ Descale or replace the strainer.
- ▶ Reinstall the strainer, reinstall the push-fit connector, and reconnect the cold water supply.

## 17. Specification

### 17.1 Dimensions and connections



UltraHot® Plus/Premium		
c01	Cold water supply	Connectors
c06	Hot water outlet	Nozzle
i13	Wall mounting bracket	2 positions possible

### 17.2 Country-specific approvals and certifications

See the type plate for certifications.

### 17.3 Extreme operating and fault conditions

If the appliance fails, temperatures of up to 212 °F (100 °C) may occur briefly in the installation.

# INSTALLATION Specification

## 17.4 Data table

	UltraHot Plus*	UltraHot Premium*
Item no.	203876	203877
<b>Electrical data</b>		
Rated voltage	120 V	120 V
Rated output	0.75 kW	1.44 kW
Rated current	6.25 A	12 A
Circuit breaker	10 A	15 A
Phase	1/N/GND	1/N/GND
Frequency	50/60 Hz	50/60 Hz
<b>Hydraulic data</b>		
Rated capacity	0.7 gal (2.6 l)	0.7 gal (2.6 l)
Max. flow rate, hot water	0.66 gpm (2.5 l/min)	0.66 gpm (2.5 l/min)
<b>Potable water quality requirements</b>		
Hardness range	1	1
Total hardness	8.76 gpg (1.5 mmol/l)	8.76 gpg (1.5 mmol/l)
<b>Application limits</b>		
Max. permissible pressure	0 psi	0 psi
<b>Details</b>		
Casing material	ABS-FR	ABS-FR
Thermal insulation material	PU foam	PU foam
IP-Rating	IP24	IP24
Type	open	open
<b>Connections</b>		
Power connection	6' (1.8 m) cord w/plug	6' (1.8 m) cord w/plug
<b>Dimensions</b>		
Height	17 <sup>3</sup> / <sub>4</sub> " (450 mm)	17 <sup>3</sup> / <sub>4</sub> " (450 mm)
Width	7 <sup>1</sup> / <sub>8</sub> " (200 mm)	7 <sup>1</sup> / <sub>8</sub> " (200 mm)
Depth	5 <sup>3</sup> / <sub>4</sub> " (146 mm)	5 <sup>3</sup> / <sub>4</sub> " (146 mm)

## Environment and recycling

Please help us to protect the environment by disposing of the packaging in accordance with the national regulations for waste processing.



**18. Warranty**

**LIMITED WARRANTY**

Subject to the terms and conditions set forth in this limited warranty, Stiebel Eltron, Inc. (the “Manufacturer”) hereby warrants to the original purchaser (the “Owner”) that each UltraHot Plus Instant Hot Water Dispenser (the “Dispenser”) shall not leak or fail due to defects in the Manufacturer’s materials or workmanship for a period of three (3) years from the date of purchase, or that each UltraHot Premium Instant Hot Water Dispenser (the “Dispenser”) shall not leak or fail due to defects in the Manufacturer’s materials or workmanship for a period of four (4) years from the date of purchase. This warranty will be null and void if the Dispenser is installed in an application outside of its intended use:

UltraHot Plus: for residential use only

UltraHot Premium: for residential and light commercial use defined as offices, break rooms, lunch rooms, public facilities, houses of worship etc.

As Owner’s sole and exclusive remedy for breach of the above warranty, Manufacturer shall, at the Manufacturer’s discretion, send replacement parts for local repair; retrieve the unit for factory repair, or replace the defective Dispenser with a replacement unit with comparable operating features. Manufacturer’s maximum liability under all circumstances shall be limited to the Owner’s purchase price for the Dispenser.

This limited warranty shall be the exclusive warranty made by the Manufacturer and is made in lieu of all other warranties, express or implied, whether written or oral, including, but not limited to warranties of merchantability and fitness for a particular purpose. Manufacturer shall not be liable for incidental, consequential or contingent damages or expenses arising directly or indirectly from any defect in the Dispenser or the use of the Dispenser. Manufacturer shall not be liable for any water damage or other damage to property of Owner arising, directly or indirectly, from any defect in the Dispenser or the use of the Dispenser. Manufacturer alone is authorized to make all warranties on Manufacturer’s behalf and no statement, warranty or guarantee made by any other party shall be binding on Manufacturer.

Manufacturer shall not be liable for any damage whatsoever relating to or caused by:

1. any misuse or neglect of the Dispenser, any accident to the Dispenser, any alteration of the Dispenser, or any other unintended use;

2. acts of God and circumstances over which Manufacturer has no control;
3. installation of the Dispenser other than as directed by Manufacturer and other than in accordance with applicable building codes;
4. failure to maintain the Dispenser or to operate the Dispenser in accordance with the Manufacturer’s specifications;
5. operation of the Dispenser under fluctuating or excessive water pressure or in the event the Dispenser is supplied with non-potable water, for any duration;
6. improper installation and/or improper materials used by any installer and not relating to defects in parts or workmanship of Manufacturer;
7. moving the Dispenser from its original place of installation;
8. exposure to freezing conditions;
9. water quality issues such as corrosive water, hard water, and water contaminated with pollutants or additives;
10. not continuously supplying the unit with water aka “dry-firing”.
11. installation of any incompatible tap or faucet

Should owner wish to return the Dispenser to manufacturer for repair or replacement under this warranty, Owner must first secure written authorization from Manufacturer. Owner shall demonstrate proof of purchase, including a purchase date, and shall be responsible for all removal and transportation costs. If Owner cannot demonstrate a purchase date this warranty shall be limited to the period beginning from the date of manufacture stamped on the Dispenser. Manufacturer reserves the right to deny warranty coverage upon Manufacturer’s examination of Dispenser. This warranty is restricted to the Owner and cannot be assigned.

Some States and Provinces do not allow the exclusion or limitation of certain warranties. In such cases, the limitations set forth herein may not apply to the Owner. In such cases this warranty shall be limited to the shortest period and lowest damage amounts allowed by law. This warranty gives you specific legal rights and you may also have other rights which vary from State to State or Province to Province.

Owner shall be responsible for all labor and other charges incurred in the removal or repair of the Dispenser in the field. Please also note that the Dispenser must be installed in such a manner that if any leak does occur, the flow of water from any leak will not damage the area in which it is installed.

This Warranty is valid for U.S.A. & Canada only. Warranties may vary by country. Please consult your local Stiebel Eltron Representative for the Warranty for your country.

# ÍNDICE DE CONTENIDOS

## INSTRUCCIONES DE SEGURIDAD IMPORTANTES

### OPERACIÓN

<b>1. Indicaciones generales</b>	<b>17</b>
<b>2. Instrucciones de seguridad</b>	<b>18</b>
2.1 Otras marcas presentes en esta documentación	18
2.2 Unidades de medida	18
<b>3. Seguridad</b>	<b>18</b>
3.1 Utilización conforme a las prescripciones	18
3.2 Instrucciones generales de seguridad	19
3.3 cETLus / WQA	19
3.4 Sello de certificación	19
<b>4. Registre su producto</b>	<b>19</b>
<b>5. Descripción del aparato</b>	<b>20</b>
5.1 Manejo del aparato	20
5.2 Consola de mando	20
<b>6. Configuración</b>	<b>21</b>
6.1 Ajuste de la temperatura preferida	21
6.2 Configuraciones básicas	21
6.3 Activar/desactivar el modo de espera	22
6.4 Menú de configuración	22
<b>7. Limpieza, conservación y mantenimiento</b>	<b>23</b>
<b>8. Resolución de problemas</b>	<b>23</b>

### INSTALACIÓN

<b>9. Seguridad</b>	<b>24</b>
9.1 Instrucciones generales de seguridad	24
9.2 Reglamentos, normas y disposiciones	24
<b>10. Descripción del aparato</b>	<b>24</b>
10.1 Ámbito de suministro	24
10.2 Accesorios	24
<b>11. Preparación</b>	<b>24</b>
11.1 Lugar de montaje	24
<b>12. Montaje</b>	<b>25</b>
12.1 Montaje del aparato	25
12.2 Conexión de agua	25
12.3 Conexión a un filtro de agua (necesario en zonas de agua dura)	26
12.4 Conexión eléctrica	26
<b>13. Puesta en marcha</b>	<b>27</b>
13.1 Primera puesta en marcha	27
13.2 Nueva puesta en marcha	27
<b>14. Puesta fuera de servicio</b>	<b>27</b>
<b>15. Lista de errores</b>	<b>27</b>
<b>16. Mantenimiento</b>	<b>28</b>
16.1 Vaciado del aparato	28
16.2 Limpiar el filtro	28

<b>17. Especificaciones técnicas</b>	<b>28</b>
17.1 Dimensiones y conexiones	28
17.2 Autorizaciones y certificados específicos del país	28
17.3 Condiciones de funcionamiento extremas y condiciones en caso de avería	28
17.4 Tabla de especificaciones	29
<b>18. Garantía</b>	<b>30</b>

# INSTRUCCIONES DE SEGURIDAD IMPORTANTES



**ADVERTENCIA:**  
PARA REDUCIR LOS RIESGOS DE INCENDIO, DESCARGA ELÉCTRICA O LESIONES A PERSONAS AL USAR APARATOS ELÉCTRICOS, SE DEBEN TENER EN CUENTA BÁSICAMENTE LAS PRECAUCIONES DE SEGURIDAD, INCLUYENDO:

- LEER TODAS LAS INSTRUCCIONES ANTES DE UTILIZAR EL APARATO.
- Este calentador de agua debe conectarse a tierra. Conéctelo solo a una toma de corriente debidamente conectada a tierra.
- Coloque o instale este calentador de agua solo de acuerdo con las instrucciones de instalación suministradas.
- Utilice este calentador de agua solo para el propósito descrito en este manual.
- No utilice ningún cable alargador para este calentador de agua. En caso de que no exista una toma de corriente cerca del calentador de agua, diríjase a un electricista cualificado para la correcta instalación de una toma de corriente.
- Como con cualquier aparato eléctrico, aquí también es necesario tener especial vigilancia cuando lo vayan a utilizar niños.
- No utilice este calentador de agua si tiene un cable o un conector dañados, si no funciona correctamente o si se ha dañado o se ha caído.
- Este aparato de agua caliente sólo debe ser revisado por personal de servicio cualificado. Póngase en contacto con el profesional que instaló la unidad para realizar inspecciones o ajustes.
- No instale el calentador de agua en lugares en los que las tuberías de agua puedan estar expuestas a temperaturas bajo cero.
- Instale el calentador de agua de tal manera que, en caso de fuga, el flujo de agua resultante no cause ningún daño en el área que circunda el calentador de agua.
- Cuando instale el calentador de agua, asegúrese de que haya espacio libre alrededor del aparato para facilitar el mantenimiento y la reparación.

# OPERACIÓN

## 1. Indicaciones generales

Estas instrucciones están destinadas al usuario del aparato y al profesional técnico especializado.



### Nota

Lea atentamente estas instrucciones antes del uso y consérvelas en un lugar seguro.

Entregue las instrucciones a otros posibles usuarios de este aparato.

Lea todo el manual. El desobedecimiento de las directrices, instrucciones y reglas puede conllevar lesiones personales o daños a la propiedad. La instalación, el ajuste, la modificación, el mantenimiento y el uso indebidos de este aparato pueden conllevar lesiones graves.


Este aparato debe ser instalado por un electricista e instalador titulado. La instalación debe cumplir con todos los requisitos nacionales, estatales y locales para las instalaciones de agua y electricidad. La instalación adecuada es responsabilidad del operador. El incumplimiento de las instrucciones de instalación y funcionamiento o el uso inadecuado invalidan la garantía.

Guarde estas instrucciones para futuras consultas. El instalador debe dejar estas instrucciones al usuario.




Si tiene alguna pregunta sobre la instalación, el uso o el funcionamiento de este calentador de agua, o si necesita manuales adicionales, llame a nuestro servicio técnico de atención al cliente al 800-582-8423 (solo en EE. UU. y Canadá). Si llama desde fuera de los EE. UU. o Canadá, llame al +1-413-247-3380.

## 2. Instrucciones de seguridad

### 2.0.1 Estructura de las instrucciones de seguridad

 **PALABRA DE ADVERTENCIA** Tipo de peligro  
Mediante este tipo de palabras se explican las posibles consecuencias en caso de desobedecimiento de las instrucciones de seguridad.  
▶ Aquí se proponen las medidas necesarias para evitar el peligro.


### 2.0.2 Símbolos, tipo de peligro



Símbolo	Tipo de peligro
	Lesión
	Electrocución
	Quemaduras (quemaduras, escaldadura)

### 2.0.3 Palabras de advertencia

PALABRA DE ADVERTENCIA	Significado
PELIGRO	Indicaciones cuyo desobedecimiento tiene como consecuencia lesiones graves o la muerte.
ADVERTENCIA	Indicaciones cuyo desobedecimiento puede tener como consecuencia lesiones graves o la muerte.
PRECAUCIÓN	Indicaciones cuyo desobedecimiento puede tener como consecuencia lesiones de gravedad media o baja.


## 2.1 Otras marcas presentes en esta documentación

 **Nota**  
Las indicaciones generales se señalizan mediante el símbolo adyacente.  
▶ Lea atentamente las indicaciones.


Símbolo	Significado
	Daños materiales (daños en el aparato, indirectos, medioambientales)
	Eliminación del aparato

▶ Este símbolo le indica que usted tiene que hacer algo. Se describen paso a paso las medidas necesarias.


## 2.2 Unidades de medida

 **Nota**  
Si no se indica lo contrario, todas las dimensiones estarán expresadas en pulgadas (milímetros).

## 3. Seguridad

 **PELIGRO LESIÓN**

- Lea y siga las instrucciones de este documento
- El desobedecimiento de estas instrucciones puede conllevar graves lesiones corporales o la muerte.
- La instalación debe cumplir con todos los requisitos nacionales, estatales y locales de fontanería y electricidad.
- Desenchufe el cable de alimentación antes de proceder a la instalación o al mantenimiento del aparato. El desobedecimiento puede conllevar graves lesiones o la muerte.
- Jamás retire la cubierta del aparato. El desobedecimiento puede conllevar lesiones o la muerte.
- No almacene ni utilice gasolina u otros vapores o líquidos inflamables cerca de este o cualquier otro aparato eléctrico.

 **Daños materiales**  
Este calentador de agua debe instalarse estrictamente de acuerdo con las instrucciones adjuntas y las normativas sobre electricidad y construcción locales. Ni el fabricante ni el distribuidor pueden ser considerados responsables de los daños causados por una instalación o conexión inadecuadas del aparato.


### 3.1 Utilización conforme a las prescripciones

El aparato UltraHot Plus está diseñado para el uso residencial por parte de personas sin formación. El UltraHot Premium está diseñado para un uso residencial y de pequeñas oficinas, hasta un uso comercial ligero como oficinas más grandes, salas de descanso, comedores, instalaciones públicas, lugares de culto, etc.

Cualquier otro uso distinto al indicado en este documento se considera un uso inapropiado. Se considera un uso apropiado el cumplimiento de estas instrucciones, así como el cumplimiento de las instrucciones de los accesorios utilizados.

El aparato sin presión calienta el agua potable casi hasta el punto de ebullición. Los modelos UltraHot Plus/Premium tienen una detección automática patentada del punto de ebullición. Con esta función, el aparato determina automáticamente el punto de ebullición y luego baja la temperatura para evitar una ebullición accidental.

#### 3.1.1 Filtro de agua

 **Daños materiales**  
El aparato UltraHot Plus/Premium debe funcionar con un filtro de agua cuando los valores de dureza del agua sean superiores o iguales a 8.76 gpg (1.5 mmol/l). Esto evitará la acumulación de cal en el aparato. El uso del aparato sin un filtro de agua externo con valores superiores a los indicados anula la garantía del aparato. Los daños en el aparato causados por la cal o una alta concentración de minerales no están cubiertos por la garantía.

### 3.1.2 Recomendación de lavado

El agua es uno de los productos alimenticios más importantes a los que más requisitos se le exigen. Para asegurarnos de que siempre se cumplan con el aparato de agua caliente UltraHot Plus/Premium, nos gustaría proporcionar algunas indicaciones importantes.

El propio acto de almacenamiento puede afectar al agua, independientemente del material del que esté hecho el depósito. Este cambio suele producirse cuando el aparato no se ha utilizado durante largos periodos de tiempo. El UltraHot Plus/Premium dispone de un depósito de acero inoxidable de alta calidad (1.4404 l 316L) totalmente homologado para el calentamiento de agua caliente.

Para evitar el deterioro indeseado de la calidad del agua, respete las normas generales relativas a las instalaciones de fontanería del UltraHot Plus/Premium. En ellas se indica que deben evitarse los largos periodos de espera sin uso, o que se requiere un lavado regular.

En concreto, recomendamos un uso mínimo diario de agua de unos 0.5 gal. (2 litros). Si no utiliza esta cantidad mínima durante un período de tiempo más largo (después de unos 4 días), vacíe todo el contenido del aparato (aprox. 0.7 gal. (2.6 litros)), para que vuelva a calentar agua fresca. En caso de periodos más largos en los que no se extraiga agua, también recomendamos poner el aparato en modo de espera y vaciar el depósito una vez por completo antes de reanudar el uso normal.

### 3.2 Instrucciones generales de seguridad



#### PRECAUCIÓN Quemaduras

- El grifo puede alcanzar una temperatura de más de 140 °F (60 °C).
- A temperaturas de salida superiores a 109.4 °F (43 °C) existe peligro de escaldamiento.



#### ADVERTENCIA Lesiones

El aparato puede ser utilizado por niños de a partir de 8 años, así como por personas con capacidades físicas, sensoriales o mentales limitadas, o con falta de experiencia y conocimientos, solo bajo la vigilancia de otra persona o si antes han recibido instrucciones sobre el uso seguro del aparato y han comprendido los peligros que pueden derivarse. Está prohibido que los niños jueguen con el aparato. Los niños no deben realizar las tareas de limpieza y mantenimiento propias del usuario sin vigilancia..



#### Daños materiales

El usuario debe proteger el aparato y el grifo contra la escarcha.



#### Daños materiales

Si el agua caliente impacta de forma continua y puntual en el fregadero de la cocina, se puede alterar el color de los materiales compuestos.

### 3.3 cETLus / WQA

La marca cETLus indica que el aparato cumple todos los requisitos de seguridad eléctrica para su funcionamiento en Estados Unidos y Canadá.

- Certificación con ANSI/UL 94 y UL 499
- Conforme a CAN/CSA C22.2 No. 64
- Probado y certificado por WQA NSF/ANSI/CAN 372 para el cumplimiento de las regulaciones sin plomo.

### 3.4 Sello de certificación

Véase la placa de especificaciones técnicas en el aparato.

## 4. Registre su producto



#### Nota

Debe registrar este producto en nuestro sitio web en un plazo de 90 días a partir de la fecha de compra para activar una garantía estándar o para tener derecho a una ampliación de garantía. Vaya a nuestra página web en: [www.stiebel-eltron-usa.com](http://www.stiebel-eltron-usa.com) y haga clic en "Register Your Product" ("Registre su producto").

Antes de iniciar el proceso de registro, le recomendamos que obtenga la información necesaria de la siguiente manera:

Modelo, ejemplo: UltraHot Plus (de la etiqueta situada en la parte superior de la unidad, en el centro)

El número que figura después de "Nr."

Lugar de compra

Fecha de compra

Nombre y apellidos

Dirección de correo electrónico

Dirección física

Número de teléfono

Si tiene alguna pregunta sobre el proceso de registro o las opciones de garantía, póngase en contacto con Stiebel Eltron USA llamando al 800-582-8423 o al 413-247-3380.

## 5. Descripción del aparato

El aparato calienta agua potable de forma eléctrica. El aparato UltraHot Plus/Premium está equipado con un detector automático de punto de ebullición patentado que determina automáticamente el punto de ebullición y, a continuación, reduce la temperatura en 9 °F (5 °C) para evitar que el aparato hierva accidentalmente en seco. La detección automática del punto de ebullición volverá a producirse si el aparato se desenchufa o se queda sin corriente durante aproximadamente 18 horas.

La función “antigoteo” impide que salga agua de expansión por el grifo de la cocina durante la operación de calentamiento.

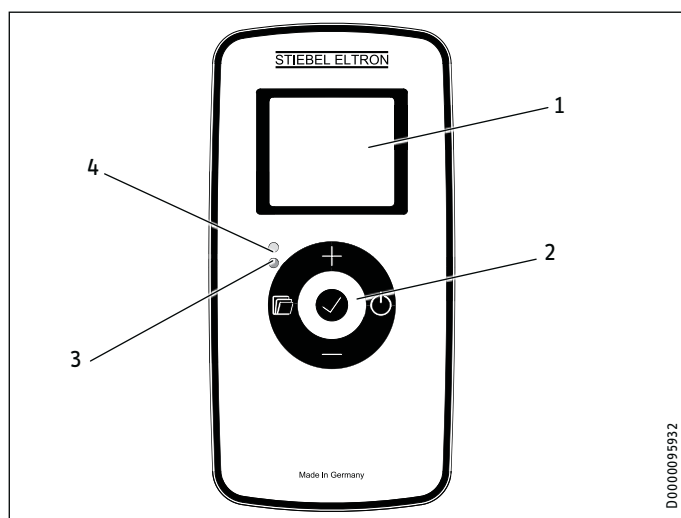
Se pueden utilizar grifos de agua caliente no presurizados adecuados para extraer agua caliente del aparato. Stiebel Eltron dispone de grifos especialmente diseñados para el UltraHot Plus/Premium.



### Nota

Para evitar daños en el aparato y en la instalación, sólo deben utilizarse con este aparato grifos de cocina no presurizados compatibles. Los grifos Stiebel Eltron han sido probados y aprobados para su uso con los aparatos UltraHot Plus/Premium.

### 5.1 Manejo del aparato



- 1 Pantalla
- 2 Consola de mando
- 3 LED rojo
- 4 LED verde

### 5.2 Consola de mando

Botón	Denominación	Descripción
	Botón "Menú"	Abrir y salir del menú Pulsación corta: acceder a los ajustes estándar Pulsación larga: acceder al menú de configuración
	Botón "OK"	Seleccionar y confirmar los ajustes
	Botón "On/Off"	Activar y desactivar el modo standby
	Botón "+"	Abrir las opciones de menú Cambiar la configuración Activar y desactivar el bloqueo de seguridad
	Botón "-"	Abrir las opciones de menú Cambiar la configuración Activar y desactivar el bloqueo de seguridad

#### 5.2.1 Indicación LED

LED	Significado
El LED rojo está encendido	La calefacción está encendida.
El LED verde parpadea, el LED rojo está encendido	Detección del punto de ebullición
Ambos LED parpadean rápido (1 s)	Fallo. Tener en cuenta la visualización en la pantalla.

#### 5.2.2 Símbolos de pantalla

Símbolo	Descripción
	Indicación de la hora: Visualización de la hora actual o de una hora de inicio programada.
	Operación del temporizador: El aparato calienta según el programa de tiempo escogido.
	Temperatura preferida: El aparato mantiene la temperatura preferida ajustada y la muestra en la pantalla.
	Modo nocturno: El aparato mantiene la temperatura nocturna inferior preestablecida.
	Protección anticongelante: El aparato está protegido contra las heladas (temperatura de protección anticongelante = 45 °F (7 °C). Esto no protege al grifo ni a la tubería de agua.
	Bloqueo de seguridad La consola de mando está bloqueada.
	Calefacción activa: El aparato se calienta para mantener la temperatura de referencia deseada.
	Visualización de temperatura
	Parámetro editable: El parámetro visualizado se puede modificar con los botones "+" y "-".

#### 5.2.3 Pantalla estándar

Cuando se enciende el aparato y una vez detectado el punto de ebullición, la pantalla muestra permanentemente la temperatura deseada o “HOT” como indicación estándar.



# OPERACIÓN

## Configuración

Si se encuentra dentro del menú y no realiza ninguna acción de operación durante más de 20 segundos, el aparato volverá automáticamente a la pantalla estándar.

### Retroiluminación

Si no hay ninguna acción de operación durante 20 segundos, la retroiluminación de la pantalla se apaga. Pulse cualquier botón para volver a encender la luz de fondo.

### Bloqueo de seguridad

Para bloquear la consola de mando contra el uso accidental o para desbloquearla, mantenga pulsados simultáneamente durante 5 segundos los botones “+” y “-”.

## 6. Configuración

### 6.1 Ajuste de la temperatura preferida

Puede utilizar los botones de la interfaz de usuario para ajustar la temperatura que prefiera entre 149 °F (65 °C) y la temperatura del punto de ebullición que se detectó automáticamente [-9 °F (-5 °C)].

- ▶ Pulse el botón “+” o “-” repetidamente hasta que se muestre la temperatura deseada en la pantalla.

El calentador de agua se encargará automáticamente del ajuste después de 20 segundos.



#### Nota

Si utiliza un programa de tiempo, la temperatura preferida se restablece automáticamente al final del modo de temporizador a la temperatura máxima establecida por la detección automática del punto de ebullición.

### 6.2 Configuraciones básicas

Aquí se pueden realizar los ajustes estándar del aparato. Las siguientes opciones de menú están disponibles para este propósito:

Pantalla	Descripción
	Ajustar el día de la semana y la hora
	Ajustar la temperatura de modo nocturno (Ajuste de fábrica = 149 °F (65 °C))
	Activar el modo de temporizador (Pro1, Pro2, Pro3) o desactivarlo (off)

- ▶ Para acceder a los ajustes estándar, pulse brevemente el botón “Menú”. Ahora podrá acceder a las opciones de menú con los botones “+” y “-”:
- ▶ Si se desea modificar el ajuste de una opción de menú, abra la opción de menú correspondiente con los botones “+” y “-”. Pulse el botón “OK”.
- ▶ En cuanto aparezca el símbolo “Parámetro editable”, podrá modificar el ajuste de la opción de menú con los botones “+” y “-”. Pulse el botón “OK” para guardar los ajustes.
- ▶ Para salir de los ajustes estándar, pulse el botón “Menú”. Aparecerá la pantalla estándar.

### 6.2.1 Fijar día de la semana y hora

Los ajustes del día de la semana y de la hora son necesarios para que los programas horarios funcionen correctamente.

- ▶ Vaya a la opción de menú “Ajustar día de la semana y hora” (“Set day of the week and time”).
- ▶ Ajuste el día de la semana con los botones “+” y “-”. El día de la semana se ajusta numéricamente: “1” significa lunes.
- ▶ Pulse “OK”.
- ▶ Ajuste la hora con los botones “+” y “-”. La hora se ajusta aumentando/disminuyendo continuamente los minutos. Si mantiene pulsado el botón “+” o “-” durante más tiempo, se activa el desplazamiento rápido.
- ▶ Para salir de la configuración del día de la semana y la hora, pulse “OK”.



#### Indicaciones

- Durante la primera puesta en marcha y después de una interrupción larga del suministro eléctrico (más de aprox. 8 horas), deberá ajustar el día de la semana y la hora.
- Puede ajustar el formato de 12 o 24 horas en el menú de configuración.

### 6.2.2 Ajustar la temperatura de modo nocturno

Para los periodos en los que no se necesita agua caliente, el ajuste de la temperatura del aparato puede reducirse a un valor inferior ajustable en “modo nocturno”, en función de la hora del día. Esta función es buena para el medio ambiente y ayuda a ahorrar energía.

Si lo desea, puede ajustar la temperatura del modo nocturno predeterminada de fábrica de 149 °F (65 °C):

- ▶ Navegue por los ajustes estándar hasta la opción de menú “Ajustar la temperatura del modo nocturno” y ajuste la temperatura con los botones “+” y “-”.
- ▶ Pulse el botón “OK” para guardar los ajustes.

Los ajustes preprogramados (Pro1 y Pro2) utilizan la función de modo nocturno. También es posible establecer un programa de tiempo personalizado (Pro3) que determinará las horas en las que el modo nocturno está activo.

### 6.2.3 Seleccionar o desactivar el funcionamiento del programa de tiempo / modo de temporizador

Los programas de tiempo Pro1 y Pro2 se pueden usar para definir el tiempo de inicio y fin de la operación del agua caliente. Fuera de este período de tiempo especificado, el aparato funcionará en el modo nocturno. Esto da como resultado una fase de agua caliente y una fase de retardo que se repiten a diario (Pro1) o todos los días laborables (Pro2).

- ▶ Navegue por los ajustes estándar hasta la opción de menú “Ajustar la temperatura de modo nocturno” y realice los ajustes con los botones “+” y “-”. Si un programa horario ya está activado, seleccione “OFF” para desactivarlo.
- ▶ Pulse el botón “OK” para guardar los ajustes.

# OPERACIÓN

## Configuración

Pantalla	Descripción
Pro1	Repetición: diaria Adecuado, p. ej., para los hogares particulares
Pro2	Repetición: días laborales Adecuado, p. ej., para lugares de trabajo
Pro3	Definido por el usuario, véase la sección "Pro3", página 22.
OFF	el aparato funciona siempre en modo agua caliente

Estos programas de tiempo Pro1 y Pro2 están configurados de fábrica de la siguiente manera:

- 08:00 am - 10:00 pm: Operación del agua caliente
- 10:00 pm - 8:00 am: Modo nocturno



### Nota

Cuando el programa de tiempo Pro2 está activado, el aparato funciona exclusivamente en modo nocturno los fines de semana.

### 6.3 Activar/desactivar el modo de espera

Durante largos períodos de ausencia, puede poner el aparato en modo de espera. En el modo de espera, la temperatura del contenido del tanque se mantiene a 45 °F (7 °C) para proteger el aparato de las heladas.

Generalmente, el aparato está protegido de la formación de escarcha cuando la fuente de suministro está activada. El grifo de cocina y las conexiones de agua no están protegidos por el aparato.

- ▶ Para activar/desactivar el modo de espera, pulse el botón "On/Off" de la consola de mando.

Mientras el modo standby está activo, se muestra "---" en la pantalla.

Durante el modo de espera se muestra un símbolo de ❄️

### 6.4 Menú de configuración

En el menú de configuración se puede acceder a los valores nominales, configurar los programas de tiempo para el modo de temporizador y ajustar otros parámetros.

Pantalla	Descripción	Unidad
I1	Temperatura real	°C   °F
I2	Tiempo de funcionamiento en días	d
I3	Tiempo de calentamiento en horas (El contador se restaura a 0 después de 9999.)	h
I5	Capacidad residual del filtro	l
Pro1-Pro3	Programas de tiempo	
P3	Ajustar el formato de la hora	12 h / 24 h
P4	Ajustar el formato de la temperatura	°C   °F
P6	Restablecimiento de los ajustes de fábrica	on   off

- ▶ Mantenga pulsado el botón "Menú" para acceder al menú de configuración. Después de aprox. 3 segundos se visualiza el valor real 1.
- ▶ Con los botones "+" y "-" se puede conmutar entre los distintos valores reales, programas de tiempo y parámetros.
- ▶ Si desea modificar el valor de un parámetro, abra el parámetro correspondiente con los botones "+" y "-". Pulse el botón "OK".
- ▶ En cuanto aparezca el símbolo "Parámetro editable", podrá cambiar el valor del parámetro con los botones "+" y "-". Pulse el botón "OK" para guardar el valor ajustado.

- ▶ Para salir del menú de configuración, pulse el botón „Menú“. Aparecerá la pantalla estándar.

#### 6.4.1 Configurar los programas de tiempo / el modo de temporizador

Hay tres programas de tiempo disponibles para usar el aparato en modo de temporizador. Los programas de tiempo Pro1 y Pro2 vienen preconfigurados de fábrica, pero pueden ajustarse según las necesidades. Puede ajustar el programa de tiempo Pro3 para satisfacer sus necesidades individuales.

Pantalla	Descripción
Pro1	Repetición: diaria Adecuado, p. ej., para los hogares particulares
Pro2	Repetición: días laborales Adecuado, p. ej., para lugares de trabajo
Pro3	Definido por el usuario, véase la sección "Pro3", página 22.



### Nota

Al ajustar los programas de tiempo, asegúrese de que el día de la semana y la hora estén ajustados correctamente en el aparato.



### Nota

Cuando se activa el modo standby (botón "On/Off"), se suspende el modo de temporizador.

#### Pro1 | Pro2

El UltraHot Plus/Premium tiene 3 programas de tiempo: Pro1, Pro2 y Pro3. Pro1 y Pro2 están preprogramados de fábrica, pero pueden adaptarse si fuese necesario.

Para ajustar los programas de tiempo Pro1 y Pro2 a sus necesidades, proceda de la siguiente manera:

- ▶ Con los botones "+" y "-" abra en el menú de configuración el programa de tiempo deseado.
- ▶ Pulse el botón "OK".  
Se muestra la hora de inicio de la operación del agua caliente.
- ▶ Ajuste la hora de inicio deseada con los botones "+" y "-".
- ▶ Pulse el botón "OK".  
Se muestra la hora de finalización de la operación del agua caliente.
- ▶ Ajuste la hora de finalización deseada con los botones "+" y "-".
- ▶ Pulse el botón "OK".  
El programa de tiempo está configurado.

#### Pro3

Con el programa de tiempo Pro3, puede definir hasta 14 fases de agua caliente separadas que se repitan semanalmente.

Para configurar una fase de agua caliente en el programa de tiempo Pro3, proceda de la siguiente manera:

- ▶ Con los botones "+" y "-" abra en el menú de configuración el programa de tiempo Pro3.
- ▶ Pulse el botón "OK".  
La pantalla muestra "3---".

- ▶ Pulse el botón "OK".  
Se visualiza un día de la semana o un grupo de días de la semana.
- ▶ Con los botones "+" y "-" ajuste el día de la semana deseado o el grupo de días de la semana deseados.
- ▶ Pulse el botón "OK".  
Se muestra la hora de inicio de la operación del agua caliente.
- ▶ Ajuste la hora de inicio deseada con los botones "+" y "-".
- ▶ Pulse el botón "OK".  
Se muestra la hora de finalización de la operación del agua caliente.
- ▶ Ajuste la hora de finalización deseada con los botones "+" y "-".
- ▶ Pulse el botón "OK".  
La fase de confort "3-01" está configurada. Se vuelve a visualizar el programa de tiempo Pro3.
- ▶ Para configurar otra fase de agua caliente, pulse el botón "OK". Seleccione la indicación "3---" con los botones "+" y "-". Proceda primero como se describe.



**Nota**

Para todos los programas de tiempo (Pro1, Pro2, Pro3) se aplica lo siguiente:

- Si la hora de finalización es antes de la hora de inicio, la hora de finalización se ajustará automáticamente al día siguiente de la semana. La fase de agua caliente se realiza a medianoche y finaliza el siguiente día de la semana a la hora establecida.



**Nota**

Active el programa de tiempo deseado en los ajustes estándar (consulte el capítulo "Operación / Configuración / Configuraciones básicas").



**Nota**

Para restablecer las fases de agua caliente ajustadas, active el parámetro "Restablecimiento de los ajustes de fábrica".

- ▶ Tenga en cuenta que, al restablecer los ajustes de fábrica, se restablecen todos los ajustes del aparato en el estado de suministro.

**6.4.2 Ajustar el formato de la hora**

El parámetro P3 permite especificar si la hora se muestra en formato de 12 o 24 horas.

**6.4.3 Ajustar la unidad del indicador de temperatura**

Puede utilizar el parámetro P4 para especificar si la temperatura se muestra en grados Fahrenheit °F o en grados centígrados °C. Ajuste de fábrica = °F.

**6.4.4 Restablecimiento de los ajustes de fábrica**

Al activar el parámetro P6 se reajusta el aparato al estado de suministro.

- ▶ Después de activar el parámetro P6, debe desconectar el conector del aparato después de un tiempo de espera de aprox. 10 s y volver a conectarlo después de otros 10 s aproximadamente.

A continuación, el aparato restablecerá los ajustes a los ajustes de fábrica.

**7. Limpieza, conservación y mantenimiento**

- ▶ No utilice detergentes agresivos ni disolventes. Para conservar y limpiar el aparato basta con utilizar un paño húmedo.
- ▶ Controle regularmente el grifo. La cal depositada en la salida puede eliminarse con productos anticál de venta en comercios. Si hay un aireador, retírelo del racor para descalcificarlo. Los grifos Stiebel Eltron están equipados con un aireador.

**Lavado del aparato y del grifo**



**Nota**

Si el aparato ha estado en modo standby durante más de una semana o se ha desconectado completamente de la fuente de suministro, recomendamos lavar el aparato.

- ▶ Deje abierta la válvula de dispensado de agua caliente durante unos 3 minutos.

**8. Resolución de problemas**

Problema	Causa	Solución
El aparato no suministra agua caliente.	No hay tensión.	Compruebe el disyuntor en el panel principal de interruptores.
	El aparato se encuentra en modo de espera.	Encienda el aparato pulsando el botón «on/off».
	El filtro de la alimentación del agua fría del aparato está obstruido.	Limpie el filtro como se describe en el capítulo 16.2.
Solo se puede retirar un poco de agua del grifo.	El filtro de la alimentación del agua fría del aparato está obstruido.	Limpie el filtro como se describe en el capítulo 16.2.
No se alcanzan temperaturas >90 °C (194 °F).	El sensor de punto de ebullición se finalizó erróneamente.	Restablezca el aparato a configuración de fábrica y vuelva a ponerlo en marcha.

Si no puede solucionar la causa, llame al profesional técnico especializado. Para poder ayudarle mejor y con mayor rapidez, indique el número de la placa de especificaciones técnicas (000000-0000-000000-0000).

# INSTALACIÓN

## 9. Seguridad

La instalación, la puesta en marcha y el mantenimiento y reparación del aparato deben ser realizados exclusivamente por un profesional técnico especializado.



### ADVERTENCIA Lesiones

No instale el aparato en donde se salpique regularmente con agua. Puede producirse una descarga eléctrica.



### ADVERTENCIA Lesiones

Las tuberías de agua caliente pueden quemar al tacto. Debe utilizarse un aislamiento para las tuberías de agua caliente por debajo de una altura de 36" (0.91 m) debido al peligro de quemaduras para los niños.



### Daños materiales

El agua dura o el agua con un alto contenido mineral pueden dañar el aparato. Los daños al aparato causados por la cal o una alta concentración de minerales no están cubiertos por la garantía.

Stiebel Eltron recomienda el uso de un sistema de filtro externo en la alimentación del agua fría del UltraHot Plus/Premium.



### Daños materiales

Este aparato no debe instalarse en un lugar donde pueda estar expuesto a temperaturas de congelación (menos de 35.6 °F (2 °C)). Si el aparato pudiera quedar expuesto a temperaturas de congelación, ha de drenarse toda el agua del aparato. Si se desobedecen estas instrucciones, cualquier garantía quedará anulada.

El aparato debe instalarse en una zona en la que las fugas de agua del aparato o sus conexiones no dañen la zona adyacente del aparato. Si no se puede evitar este tipo de ubicación, se recomienda instalar una bandeja de vaciado debajo del aparato..

### 9.1 Instrucciones generales de seguridad

Solo garantizamos un nivel óptimo de funcionalidad y de seguridad y fiabilidad de funcionamiento si se utilizan accesorios compatibles específicos para el aparato.

### 9.2 Reglamentos, normas y disposiciones



#### Nota

Tenga en cuenta todos los reglamentos y disposiciones nacionales y regionales.

## 10. Descripción del aparato

El aparato abierto (no presurizado) solo puede montarse bajo mesa. El aparato está diseñado para suministrar un punto de dispensado para agua casi hirviendo.

El aparato solo puede instalarse con un grifo abierto (sin presión) de Stiebel Eltron u otro fabricante. La garantía del aparato se anula si utiliza otro tipo de grifería.

### 10.1 Ámbito de suministro

El suministro del aparato incluye:

- Enganche de pared

### 10.2 Accesorios

#### 10.2.1 Accesorios opcionales

Los grifos compatibles con Stiebel Eltron están disponibles por separado.

#### 10.2.2 Accesorios adicionales recomendados

- Filtro de agua para la conexión de suministro de agua fría (disponible por separado)

## 11. Preparación

- Lave a fondo la tubería de agua.

### Instalación de agua

No se requiere válvula de seguridad.

### Grifería/valvulería

Se pueden utilizar grifos de agua caliente no presurizados adecuados para extraer agua caliente del aparato. Stiebel Eltron dispone de grifos especialmente diseñados para el UltraHot Plus/Premium.



### Daños materiales

Para evitar daños en el aparato y en la instalación, sólo deben utilizarse grifos de cocina no presurizados compatibles deben utilizarse con este aparato. Los grifos Stiebel Eltron han sido probados y aprobados para uso con los aparatos UltraHot Plus/Premium.

### 11.1 Lugar de montaje



### Daños materiales

La instalación del aparato solo se puede hacer en habitaciones resguardadas de la escarcha.



### Daños materiales

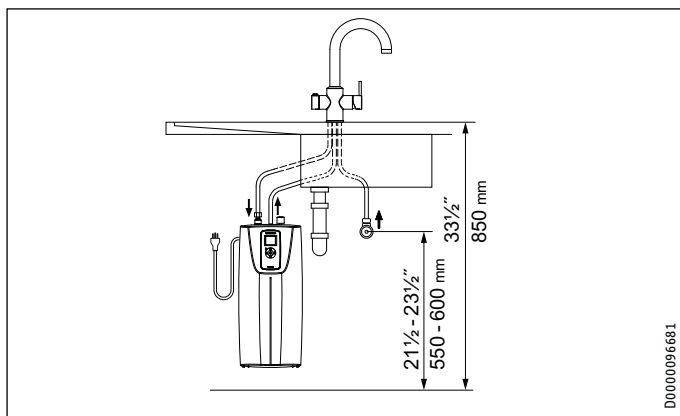
El aparato solo puede montarse bajo mesa. Las conexiones de agua del aparato apuntan hacia arriba.



#### Nota

Para los trabajos de mantenimiento, asegúrese de que el aparato quede libremente accesible.

Monte el aparato en posición vertical y cerca del punto de dispensado.

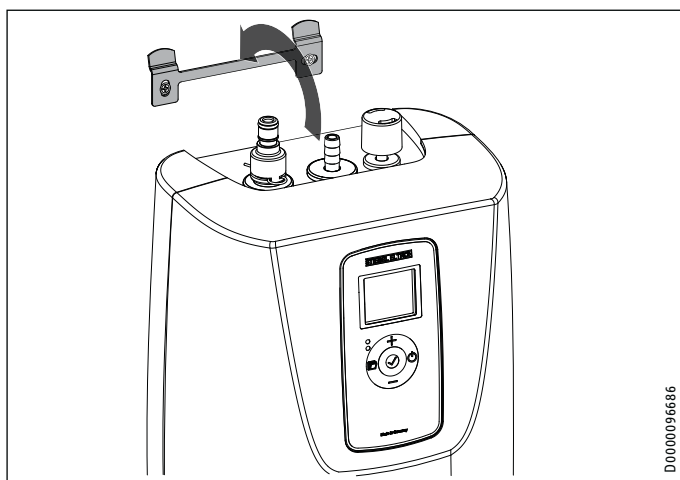


1 Distancias mínimas de separación

## 12. Montaje

### 12.1 Montaje del aparato

- ▶ Marque los puntos de perforación utilizando el soporte como plantilla.
- ▶ Taladre los agujeros y fije el soporte de montaje en la pared con los tornillos y accesorios apropiados si es necesario para el sustrato de la pared.
- ▶ Cuelgue el aparato en el enganche de pared.



1 Colgar el UltraHot Plus/Premium

### 12.2 Conexión de agua



#### Daños materiales

Realice todos los trabajos de conexión e instalación hidráulicos conforme a la normativa vigente.



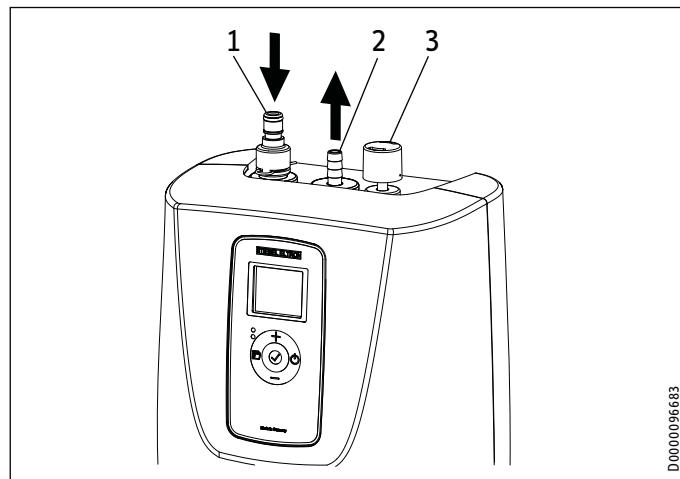
#### Daños materiales

El aparato puede tener fugas y quedar inoperativo.

- ▶ No someta el aparato a la presión del agua.
- ▶ No intercambie las conexiones de agua.

Asigne el código de colores de las conexiones del agua del grifo y del aparato entre sí:

- 1 Azul = entrada de agua fría - conector a presión
- 2 Rojo = salida de agua caliente - boquilla
- 3 Blanco = tubo de ventilación y tapón automático



Conexiones de agua

- ▶ Para la alimentación del agua fría: conecte el conector enchufable del grifo a la alimentación del agua fría del UltraHot Plus/Premium.
- ▶ Para la salida de agua caliente: empuje la manguera de 7/16" del grifo hasta el tope en la boquilla de la salida de agua caliente en el UltraHot Plus/Premium.
- ▶ Asegure el punto de unión deslizando y asegure la abrazadera con una tenaza para abrazadera, unos alicates o una tenaza rusa.



#### Nota

El tubo de salida del agua caliente debe instalarse de forma que suba en una pendiente constante hasta el grifo, sin que se produzca ningún hundimiento en la manguera.

- ▶ Para el tubo de purga de aire: UltraHot Plus/Premium está equipado con un purgador de aire automático y no necesita que se le conecte una manguera. Si instala un grifo dispensador de agua casi hirviendo con una manguera de ventilación a un UltraHot Plus/Premium, la manguera de ventilación puede dejarse sin conectar y la ventilación automática del UltraHot Plus/Premium ventilará el aparato según sea necesario. Si lo desea, puede conectar la manguera de ventilación a la UltraHot Plus/Premium tirando hacia arriba de la tapa de ventilación automática de la UltraHot Plus/Premium. A continuación, la manguera de ventilación del grifo puede introducirse en el tubo de ventilación restante.



#### Nota

Asegúrese de que las conexiones de agua no se doblen durante el montaje. Evite tirar de los componentes durante la instalación.

### 12.3 Conexión a un filtro de agua (necesario en zonas de agua dura)



#### Daños materiales

El aparato UltraHot Plus/Premium debe funcionar con un filtro de agua cuando los valores de dureza del agua sean superiores o iguales a 8.76 gpg (1.5°mmol/l). Esto evitará la acumulación de cal en el aparato. El uso del aparato sin un filtro de agua externo con valores superiores a los indicados anula la garantía del aparato. Los daños en el aparato causados por la cal o una alta concentración de minerales no están cubiertos por la garantía.

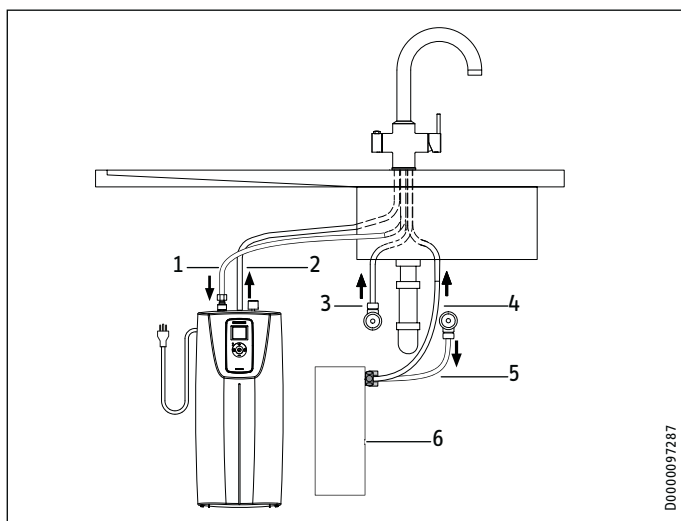
En zonas con agua dura, cuando los valores de dureza del agua sean superiores o iguales a 8.76 gpg (1.5°mmol/l), el aparato UltraHot Plus/Premium se debe usar con un filtro de agua (no suministrado). Para que funcione sin problemas, el filtro de agua se debe instar entre la conexión de pared y el grifo.



#### Nota

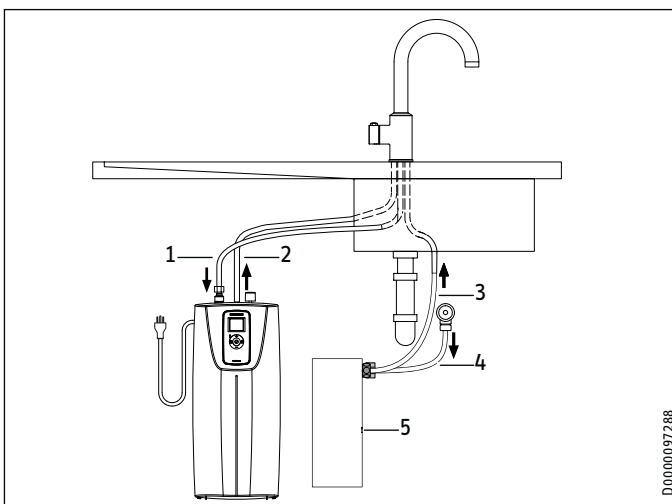
Durante la instalación de un filtro de agua, observe las instrucciones de utilización y de instalación del fabricante del filtro (no suministrado).

#### 12.3.1 Conexión a un filtro de agua sugerido y grifo de cocina 3 en 1 (casi hirviendo, caliente, frío)



1	Alimentación del agua fría al aparato	Manguera de plástico con conector enchufable
2	Drenaje de agua caliente en el aparato	Manguera de plástico de 7/16 pulg.
3	Alimentación del agua caliente al grifo	Tubo flexible corto con conductor rojo
4	Alimentación del agua fría al grifo	Tubo flexible corto con conductor azul
5	Alimentación del agua fría al filtro	
6	Filtro de agua sugerido (no suministrado)	

#### 12.3.2 Conectar el filtro de agua recomendado y el grifo único de agua casi hirviendo



1	Alimentación del agua fría al aparato	Manguera de plástico con conector enchufable
2	Drenaje de agua caliente	Manguera de plástico de 7/16 pulg.
3	Alimentación del agua fría al grifo	Tubo flexible corto con conductor azul
4	Alimentación del agua fría al filtro	
5	Filtro de agua	

### 12.4 Conexión eléctrica



#### ADVERTENCIA Electrocutación

Realice todos los trabajos de conexión e instalación eléctricos de conformidad con la normativa vigente.



#### Daños materiales

La tensión indicada en la placa de especificaciones técnicas debe coincidir con la tensión de red disponible.

► Observe la placa de especificaciones técnicas.

Es posible realizar las siguientes conexiones eléctricas:

- Conexión a un receptáculo aislado de tierra de libre acceso con conector correspondiente.



### 13. Puesta en marcha

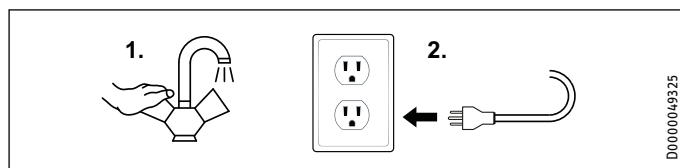


**ADVERTENCIA Electrocuación**  
La puesta en marcha solo debe ser realizada por un profesional técnico especializado, observando la normativa de seguridad.



**Nota**  
Debe ajustar el día de la semana y la hora en la puesta en marcha inicial y después de largos periodos desconectado de la corriente (aprox. 8 horas).

#### 13.1 Primera puesta en marcha



- ▶ Abra las válvulas de las tuberías de suministro de agua caliente y fría.
- ▶ Abra el grifo de agua caliente y déjelo correr hasta que salga agua sin burbujas (al menos 3-5 minutos). Para ello, siga las instrucciones del grifo.
- ▶ Una vez que el chorro esté libre de burbujas de aire, cierra el grifo de agua caliente.
- ▶ Compruebe que no haya fugas en ninguna de las conexiones de fontanería.
- ▶ Inserte el enchufe en el receptáculo con toma de tierra.



**Nota**  
Si no se mantiene la sucesión (primero agua, luego electricidad), reacciona la detección de funcionamiento en seco.

##### 13.1.1 Detección de funcionamiento en seco

En el arranque inicial y después de cada interrupción del suministro eléctrico, la tarjeta de control del aparato realiza una comprobación de protección contra funcionamiento en seco. La comprobación de la protección contra el funcionamiento en seco dura aproximadamente 60 segundos.

Durante la comprobación de la protección contra el funcionamiento en seco:

- En la pantalla aparecen diferentes símbolos y textos
- La retroiluminación de la pantalla está encendida
- No utilice el aparato
- No desconecte el aparato de la red eléctrica
- No saque agua del aparato por el grifo

Si la protección contra funcionamiento en seco ha respondido por falta de agua en el aparato, aparece el código de fallo "E1". El aparato no podrá volver a arrancar durante 5 minutos.

Proceda como sigue:

- ▶ Asegúrese de que las válvulas de suministro de agua fría y caliente estén abiertas.

- ▶ Fill the appliance with water via the hot water valve on the tap.
- ▶ Tras un tiempo de bloqueo de 5 minutos, el aparato efectúa una nueva comprobación de la protección contra el secado por ebullición.
- ▶ Si el fallo persiste, reinicie el aparato (P6 = on (encendido)).

##### 13.1.2 Detección del punto de ebullición

Una vez finalizada con éxito la comprobación de la protección contra el funcionamiento en seco, el aparato inicia la detección automática del punto de ebullición.

Durante este tiempo se muestra "boil" (hervir). El LED rojo se ilumina constantemente. La detección del punto de ebullición dura aproximadamente 15 minutos. La duración depende de la temperatura del agua fría.

Una vez finalizada la detección del punto de ebullición, la temperatura máxima determinada se muestra en la pantalla y se establece como temperatura preferida.

##### 13.1.3 Entrega del aparato

- ▶ Explique al usuario las funciones del aparato. Familiarícelo con el uso.
- ▶ Indique al usuario los posibles peligros existentes, en particular en relación al peligro de escaldamiento.
- ▶ Entregue estas instrucciones y, si las tiene, también las instrucciones de los accesorios.

#### 13.2 Nueva puesta en marcha

Consulte el capítulo "Instalación / Puesta en marcha / Primera puesta en marcha".

### 14. Puesta fuera de servicio

- ▶ Desconecte el aparato de la red eléctrica tirando del conector o apagando el fusible de la instalación doméstica.
- ▶ Drene el aparato (véase el capítulo "Instalación / Mantenimiento / Vaciado del aparato").

### 15. Lista de errores

Los errores se indican mediante el parpadeo de los LED. El código de error correspondiente aparece en la pantalla:

Código de error	Causa	Solución
E001	Funcionamiento en seco	Consulte el capítulo "Primera puesta en marcha / Detección del funcionamiento en seco".
E002	Error de sensor de temperatura (rotura, cortocircuito)	Sustituir el aparato
E007	Espera a que se enfríe para detectar el punto de ebullición	Abra la válvula de agua caliente hasta que salga el agua fría. Cierre la válvula y espere a que se detecte el punto de ebullición.
E999	Error general	Apague el aparato y póngase en contacto con Stiebel Eltron.

### 16. Mantenimiento



**ADVERTENCIA Electrocución**  
Siempre que desee realizar cualquier tarea en el aparato, debe desconectarlo omnipolarmente de la red eléctrica.

- ▶ Desmonte el aparato cuando vaya a realizar los trabajos de mantenimiento.

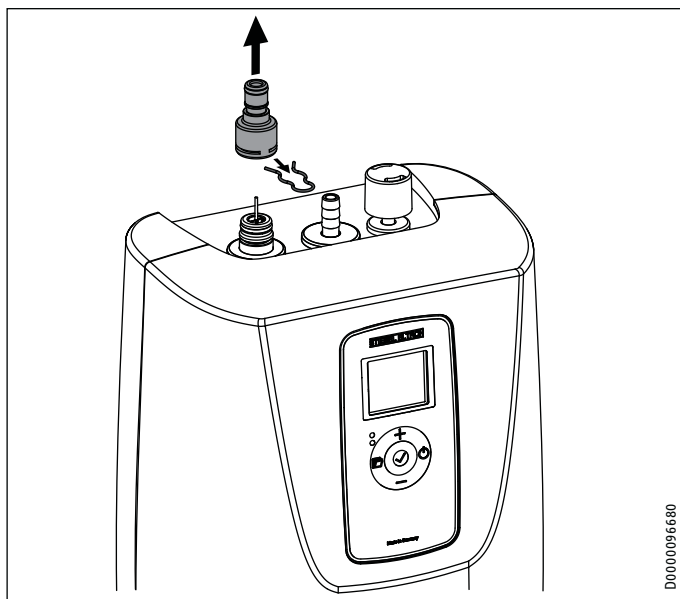
#### 16.1 Vaciado del aparato



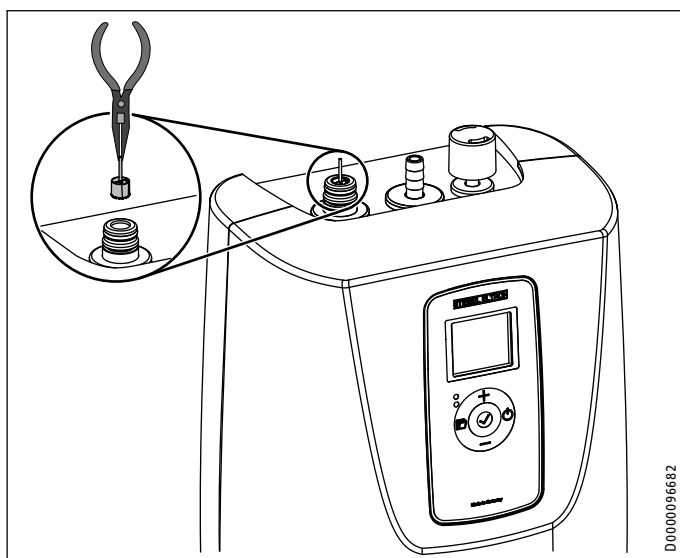
**ADVERTENCIA Quemaduras**  
Durante el vaciado puede salir agua caliente.

- ▶ Antes de vaciar el aparato, desconecte el conector de la red y extraiga agua durante al menos dos minutos hasta que solo salga agua fría por la salida de agua caliente del grifo.
- ▶ Vacíe el aparato a través de los manguitos de empalme.

#### 16.2 Limpiar el filtro



1 Retirar el conector enchufable

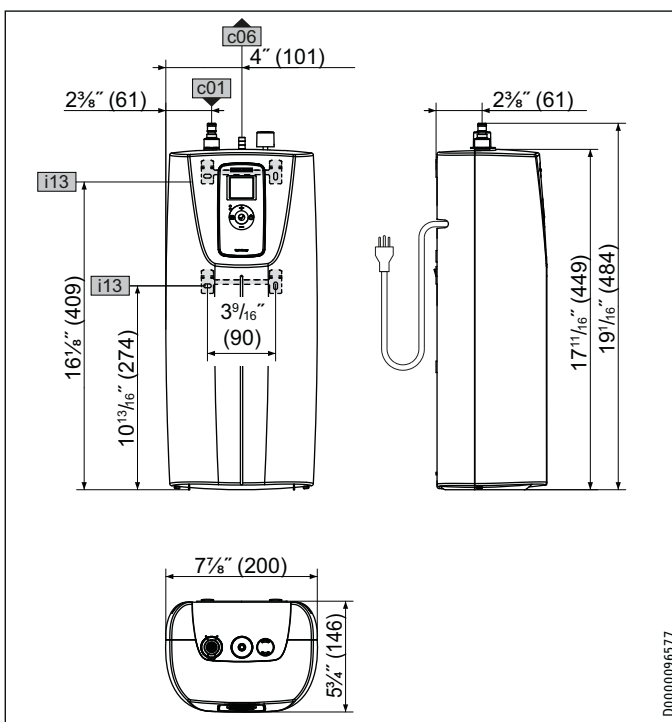


2 Sacar el filtro

- ▶ Desmonte la conexión alimentación del agua fría.
- ▶ Separe el conector enchufable del aparato
- ▶ Use unas tenazas para sacar el filtro de la conexión alimentación del agua fría.
- ▶ Elimine la cal del filtro o cámbielo.
- ▶ Vuelva a colocar el filtro, monte el conector enchufable y vuelva a conectar la alimentación del agua fría.

### 17. Especificaciones técnicas

#### 17.1 Dimensiones y conexiones



UltraHot® Plus/Premium	
c01	Alimentación del agua fría Conector enchufable
c06	Salida de agua caliente Arandela de goma
i13	Enganche de pared 2 posiciones posibles

#### 17.2 Autorizaciones y certificados específicos del país

Los sellos de certificación figuran en la placa de especificaciones técnicas.

#### 17.3 Condiciones de funcionamiento extremas y condiciones en caso de avería

En caso de avería, puede producirse una temperatura máxima de 212 °F (100 °C) en la instalación durante un corto período de tiempo.

### 17.4 Tabla de especificaciones

	UltraHot Plus*	UltraHot Premium*
Número de artículo	203876	203877
<b>Datos eléctricos</b>		
Tensión de alimentación	120 V	120 V
Potencia nominal	0.75 kW	1.44 kW
Corriente nominal	6.25 A	12 A
Interruptor	10 A	15 A
Fase	1/N/GND	1/N/GND
Frecuencia	50/60 Hz	50/60 Hz
<b>Datos hidráulicos</b>		
Contenido nominal	0.7 gal (2.6 l)	0.7 gal (2.6 l)
Caudal máximo de agua caliente	0.66 gpm (2.5 l/min)	0.66 gpm (2.5 l/min)
<b>Requisitos de calidad del agua potable</b>		
Ámbito de dureza	1	1
Dureza total	8.76 gpg (1.5 mmol/l)	8.76 gpg (1.5 mmol/l)
<b>Límites de aplicación</b>		
Presión máx. admisible	0 psi	0 psi
<b>Detalles</b>		
Material de la carcasa	ABS-FR	ABS-FR
Material del aislamiento térmico	Espuma de PU	Espuma de PU
Tipo de protección (IP)	IP24	IP24
Tipo	Abierto	Abierto
<b>Conexiones</b>		
Conexión eléctrica	Cable de 6 pies (1.8 m) con enchufe	Cable de 6 pies (1.8 m) con enchufe
<b>Dimensiones</b>		
Altura	17 <sup>3</sup> / <sub>4</sub> pulg. (450 mm)	17 <sup>3</sup> / <sub>4</sub> pulg. (450 mm)
Anchura	7 <sup>7</sup> / <sub>8</sub> pulg. (200 mm)	7 <sup>7</sup> / <sub>8</sub> pulg. (200 mm)
Profundidad	5 <sup>3</sup> / <sub>4</sub> pulg. (146 mm)	5 <sup>3</sup> / <sub>4</sub> pulg. (146 mm)

### Medio ambiente y reciclaje

Ayúdenos a proteger el medio ambiente desechando el embalaje de acuerdo con la normativa nacional vigente en materia de procesamiento de residuos.

## 18. Garantía

### GARANTÍA LIMITADA

Sujeto a los términos y condiciones establecidos en esta garantía limitada, Stiebel Eltron, Inc. (el "Fabricante") garantiza por la presente al comprador original (el "Propietario") que cada Dispensador de Agua Caliente Instantánea UltraHot Plus (el "Dispensador") no tendrá fugas ni fallas debido a defectos en los materiales o la mano de obra del Fabricante durante un período de tres (3) años a partir de la fecha de compra, o que cada Dispensador de Agua Caliente Instantánea UltraHot Premium (el "Dispensador") no tendrá fugas ni fallas debido a defectos en los materiales o la mano de obra del Fabricante durante un período de cuatro (4) años a partir de la fecha de compra. Esta garantía quedará anulada si el dispensador se instala en una aplicación fuera de su uso previsto:

UltraHot Plus: sólo para uso residencial

UltraHot Premium: para uso residencial y comercial ligero, definido como oficinas, salas de descanso, comedores, instalaciones públicas, lugares de culto, etc.

Como único y exclusivo recurso del Propietario por el incumplimiento de la garantía anterior, el Fabricante deberá, a su discreción, enviar piezas de repuesto para su reparación local; recuperar la unidad para su reparación en fábrica, o sustituir el Dispensador defectuoso por una unidad de repuesto con características de funcionamiento comparables. La responsabilidad máxima del fabricante en todas las circunstancias se limitará al precio de compra del propietario del dispensador.

Esta garantía limitada será la única garantía ofrecida por el fabricante y sustituye a todas las demás garantías, expresas o implícitas, ya sean escritas u orales, incluidas, pero sin limitarse a ellas, las garantías de comerciabilidad e idoneidad para un fin determinado. El fabricante no será responsable de los daños o gastos incidentales, consecuentes o contingentes que surjan directa o indirectamente de cualquier defecto en el dispensador o del uso del mismo. El fabricante no será responsable de los daños causados por el agua u otros daños a la propiedad del propietario que se deriven, directa o indirectamente, de cualquier defecto del dispensador o del uso del mismo. El fabricante es el único autorizado a dar todas las garantías en nombre del fabricante y ninguna declaración, garantía o aval hecho por cualquier otra parte será vinculante para el fabricante.

El fabricante no será responsable de ningún daño relacionado o causado por:

1. cualquier uso incorrecto o negligente del dispensador, cualquier accidente del dispensador, cualquier alteración del dispensador o cualquier otro uso no previsto;
2. actos de Dios y circunstancias sobre las que el fabricante no tiene control;
3. la instalación del dispensador de forma distinta a la indicada por el fabricante y a la que se realiza de acuerdo con los códigos de construcción aplicables;
4. la falta de mantenimiento del dispensador o de su funcionamiento de acuerdo con las especificaciones del fabricante;
5. funcionamiento del Dispensador bajo una presión de agua fluctuante o excesiva o en el caso de que el Dispensador se suministre con agua no potable, durante cualquier duración;
6. instalación inadecuada y/o materiales inadecuados utilizados por cualquier instalador y que no estén relacionados con defectos en las piezas o en la mano de obra del Fabricante;
7. mover el Dispensador de su lugar de instalación original;
8. exposición a condiciones de congelación;
9. problemas con la calidad del agua, como agua corrosiva, agua dura y agua contaminada con contaminantes o aditivos;
10. no suministrar continuamente agua a la unidad, lo que se conoce como "encendido en seco".
11. la instalación de cualquier grifo o canilla incompatible.

Si el propietario desea devolver el dispensador al fabricante para su reparación o sustitución en virtud de esta garantía, deberá obtener primero una autorización por escrito del fabricante. El propietario deberá demostrar la prueba de compra, incluida la fecha de compra, y será responsable de todos los gastos de traslado y transporte. Si el propietario no puede demostrar la fecha de compra, esta garantía se limitará al período que comienza con la fecha de fabricación estampada en el dispensador. El fabricante se reserva el derecho de denegar la cobertura de la garantía tras el examen del dispensador por parte del fabricante. Esta garantía está restringida al propietario y no puede ser cedida.

Algunos Estados y Provincias no permiten la exclusión o limitación de ciertas garantías o limitación de ciertas garantías. En tales casos, las limitaciones establecidas en el presente documento pueden no aplicarse al Propietario. En tales casos, esta garantía se limitará al período más corto y a los importes de daños más bajos permitidos por la ley. Esta garantía le otorga derechos legales específicos y también puede tener otros derechos que varían de un estado a otro o de una provincia a otra.

El propietario será responsable de toda la mano de obra y otros cargos incurridos en la remoción o reparación del Dispensador en el campo. Tenga en cuenta también que el Dispensador debe instalarse de tal manera que si se produce alguna fuga, el flujo de agua de la misma no dañe el área en la que está instalado.

Esta Garantía solo es válida en Estados Unidos y Canadá.  
Las garantías pueden variar de un país a otro. Consulte a su representante de Stiebel Eltron local para conocer la Garantía correspondiente a su país.

# TABLE DES MATIÈRES

## CONSIGNES DE SÉCURITÉ IMPORTANTES

### UTILISATION

<b>1. Remarques générales</b>	<b>32</b>
<b>2. Consignes de sécurité</b>	<b>33</b>
2.1 Autres pictogrammes utilisés dans cette documentation	33
2.2 Unités de mesure	33
<b>3. Sécurité</b>	<b>33</b>
3.1 Utilisation conforme	33
3.2 Consignes de sécurité générales	34
3.3 cETLus / WQA	34
3.4 Label de conformité	34
<b>4. Enregistrez votre produit</b>	<b>34</b>
<b>5. Description du produit</b>	<b>35</b>
5.1 Commandes sur l'appareil	35
5.2 Module de commande	35
<b>6. Réglages</b>	<b>36</b>
6.1 Réglage de la température préférée	36
6.2 Réglages de base	36
6.3 Activation et désactivation du mode veille	37
6.4 Menu de paramétrage	37
<b>7. Nettoyage, entretien et maintenance</b>	<b>38</b>
<b>8. Dépannage</b>	<b>39</b>

### INSTALLATION

<b>9. Sécurité</b>	<b>39</b>
9.1 Consignes de sécurité générales	39
9.2 Prescriptions, normes et réglementations	39
<b>10. Description du produit</b>	<b>40</b>
10.1 Fourniture	40
10.2 Accessoires	40
<b>11. Travaux préparatoires</b>	<b>40</b>
11.1 Lieu d'installation	40
<b>12. Montage</b>	<b>40</b>
12.1 Pose de l'appareil	40
12.2 Raccordement hydraulique	40
12.3 Connexion à un filtre à eau (nécessaire dans les régions où l'eau est dure)	41
12.4 Raccordement électrique	42
<b>13. Mise en service</b>	<b>42</b>
13.1 Première mise en service	42
13.2 Remise en service	43
<b>14. Mise hors service</b>	<b>43</b>
<b>15. Liste d'erreurs</b>	<b>43</b>
<b>16. Maintenance</b>	<b>43</b>
16.1 Vidange de l'appareil	43
16.2 Nettoyer le filtre	43

<b>17. Données techniques</b>	<b>44</b>
17.1 Cotes et raccords	44
17.2 Homologations et certificats spécifiques au pays	44
17.3 Conditions de service et de panne extrêmes	44
17.4 Tableau des données	44
<b>18. Garantie</b>	<b>45</b>

# CONSIGNES DE SÉCURITÉ IMPORTANTES



### AVERTISSEMENT :

LORS DE L'UTILISATION D'APPAREILS ÉLECTRIQUES, DES PRÉCAUTIONS DE SÉCURITÉ DE BASE DOIVENT ÊTRE OBSERVÉES AFIN DE RÉDUIRE NOTAMMENT LE RISQUE D'INCENDIE, DE CHOC ÉLECTRIQUE OU DE BLESSURE CORPORELLE :

- LISEZ TOUTES LES CONSIGNES AVANT D'UTILISER L'APPAREIL.
- Cet appareil de production d'eau brûlante doit être mis à la terre. Raccordez-le uniquement à une prise de courant correctement mise à la terre.
- Installez ou placez cet appareil de production d'eau brûlante conformément à la notice d'installation fournie.
- Utilisez cet appareil de production d'eau brûlante uniquement aux fins décrites dans le présent manuel.
- N'utilisez pas de rallonge pour cet appareil de production d'eau brûlante. S'il n'y a pas de prise de courant à proximité de l'appareil de production d'eau brûlante, contactez un électricien qualifié pour faire installer une prise de courant dans les règles de l'art.
- Comme pour tout appareil électrique, une surveillance étroite est requise en cas d'utilisation par des enfants.
- N'utilisez pas cet appareil de production d'eau brûlante si sa fiche ou son câble est détérioré, s'il ne fonctionne pas correctement ou s'il a été endommagé ou est tombé.
- Cet appareil à eau chaude ne doit être entretenu que par du personnel de service qualifié. Contactez le professionnel qui a installé l'appareil pour les inspections ou les réglages.
- N'installez pas l'appareil de production d'eau brûlante dans des endroits où les conduites d'eau risquent d'être exposées à des températures de gel.
- Installez l'appareil de production d'eau brûlante de manière à ce qu'en cas de fuite, l'écoulement d'eau qui en résulte ne cause aucun dommage dans la zone autour de l'appareil.
- Lors du montage de l'appareil de production d'eau brûlante, assurez-vous d'avoir un espace libre tout autour afin de faciliter la maintenance et l'entretien.

# UTILISATION

## 1. Remarques générales

La présente notice s'adresse aux utilisateurs de l'appareil et aux installateurs.



### Remarque

Lisez attentivement cette notice avant utilisation et conservez-la soigneusement.

Le cas échéant, remettez cette notice à tout nouvel utilisateur.

Lisez l'intégralité du manuel. Le non-respect des directives, des instructions et des règles peut entraîner des dommages corporels ou matériels. Une installation, un réglage, une modification, une maintenance ou une utilisation non conforme de cet appareil peut entraîner des blessures graves.

Stiebel Eltron recommande l'installation professionnelle de l'appareil par un plombier agréé (et un électricien si aucune prise de terre de 120 V n'est disponible et doit être installée). L'installation doit répondre à toutes les prescriptions nationales, gouvernementales et locales en matière d'installations hydrauliques et électriques. L'installation conforme relève de la responsabilité de l'exploitant. Le non-respect de la notice d'installation et d'emploi ou une utilisation non conforme invalide la garantie.

Conservez ces instructions pour vous y référer ultérieurement. L'installateur doit laisser ces instructions à l'utilisateur.

Si vous avez des questions concernant l'installation, l'utilisation ou le fonctionnement de cet appareil de production d'eau brûlante, ou si vous avez besoin de manuels supplémentaires, appelez notre service après-vente technique au 800-582-8423 (États-Unis et Canada uniquement). Si vous n'appellez pas des États-Unis ou du Canada, composez le +1-413-247-3380.



## 2. Consignes de sécurité

### 2.0.1 Présentation des consignes de sécurité



**MENTION D'AVERTISSEMENT** Nature du danger  
Sont indiqués ici les risques éventuellement encourus en cas de non-respect de la consigne de sécurité.  
► Indique les mesures permettant de prévenir le danger.

### 2.0.2 Symboles, nature du danger

Symbole	Nature du danger
	Blessure
	Électrocution
	Brûlure (brûlure, ébullition)

### 2.0.3 Mentions d'avertissement

MENTION D'AVERTISSEMENT	Signification
DANGER	Caractérise des remarques dont le non-respect entraîne de graves lésions, voire la mort.
AVERTISSEMENT	Caractérise des remarques dont le non-respect peut entraîner de graves lésions, voire la mort.
ATTENTION	Caractérise des remarques dont le non-respect peut entraîner des lésions légères ou moyennement graves.

## 2.1 Autres pictogrammes utilisés dans cette documentation



**Remarque**  
Le symbole ci-contre caractérise des remarques générales.  
► Lisez attentivement les consignes.

Symbole	Signification
	Domages matériels (dégâts induits, dommages causés à l'appareil, pollution de l'environnement)
	Recyclage de l'appareil

► Ce symbole indique que vous devez prendre des mesures. Les actions requises sont décrites étape par étape.

## 2.2 Unités de mesure



**Remarque**  
Sauf indication contraire, toutes les cotes sont indiquées en millimètres (pouces).

## 3. Sécurité



**DANGER BLESSURE**

- Lisez les instructions figurant dans le présent document et suivez-les.
- Le non-respect de ces instructions peut entraîner des blessures graves, voire la mort.
- L'installation doit répondre à toutes les prescriptions nationales, gouvernementales et locales en matière de plomberie et d'électricité.
- Avant de procéder à l'installation ou à la maintenance de cet appareil, débranchez le câble d'alimentation. Le non-respect de cette consigne peut entraîner des blessures graves, voire la mort.
- Ne retirez jamais le capot de l'appareil. Le non-respect de cette consigne peut entraîner des blessures, voire la mort.
- Ne stockez pas ou n'utilisez pas de l'essence ou d'autres vapeurs ou liquides inflammables à proximité de cet appareil ou de tout autre appareil électrique.



**Domages matériels**  
Cet appareil de production d'eau brûlante doit être installé en stricte conformité avec les instructions fournies et les prescriptions locales en matière d'électricité et de construction. Le fabricant et le distributeur ne sauraient être tenus responsables des dommages causés par une installation ou un raccordement non conforme de l'appareil.

### 3.1 Utilisation conforme

L'appareil UltraHot Plus est conçu pour une utilisation résidentielle par des personnes non formées. L'UltraHot Premium est conçu pour une utilisation résidentielle et pour les petits bureaux, jusqu'à une utilisation commerciale légère comme les grands bureaux, les salles de pause, les salles de déjeuner, les installations publiques, les lieux de culte, etc.

Tout autre emploi est considéré comme non conforme. Une utilisation conforme de l'appareil implique également le respect de cette notice et de celles des accessoires utilisés.

L'appareil à écoulement libre chauffe l'eau sanitaire presque jusqu'au point d'ébullition. Les modèles UltraHot Plus/Premium sont dotés d'une fonction brevetée de détection automatique du point d'ébullition. Grâce à cette fonction, l'appareil détermine automatiquement le point d'ébullition et abaisse ensuite la température pour éviter tout ébullition accidentel.

#### 3.1.1 Filtre à eau



**Domages matériels**  
L'appareil UltraHot Plus/Premium doit être utilisé avec un filtre à eau lorsque les valeurs de dureté de l'eau sont supérieures ou égales à 1,5 mmol/l (8,76 gpg). Cela permet d'éviter l'accumulation de calcaire dans l'appareil. L'utilisation de l'appareil sans filtre à eau externe à des valeurs supérieures à celles-ci annule la garantie de l'appareil. Les dommages causés à l'appareil par le calcaire ou une concentration élevée de minéraux ne sont pas couverts par la garantie.

# Enregistrez votre produit

### 3.1.2 Instructions de rinçage

L'eau est l'une des denrées les plus importantes, soumise à de très hautes exigences. Afin que ces exigences soient toujours satisfaites par l'appareil de production d'eau brûlante UltraHot Plus/Premium, nous souhaitons vous donner quelques conseils importants.

L'acte de stockage lui-même peut affecter l'eau, quel que soit le matériau dont est fait le réservoir de stockage. Cette modification se produit généralement lorsque l'appareil n'a pas été utilisé pendant de longues périodes. L'UltraHot Plus/Premium dispose d'un réservoir en acier inoxydable de haute qualité (1.4404 | 316L) qui est entièrement approuvé pour le chauffage de l'eau chaude.

Afin d'éviter toute détérioration indésirable de la qualité de l'eau, respectez les normes générales relatives aux installations de plomberie pour l'UltraHot Plus/Premium. Celles-ci stipulent qu'il faut éviter les longues périodes d'attente sans utilisation, ou qu'un rinçage régulier est nécessaire.

Plus précisément, nous recommandons une consommation d'eau minimale quotidienne d'environ 2 litres (0,5 gal.). Si vous n'utilisez pas cette quantité minimale pendant une période prolongée (après environ 4 jours), veuillez vider tout le contenu de l'appareil (environ 2,6 litres (0,7 gal.)), afin de chauffer à nouveau de l'eau fraîche. En cas d'absence prolongée d'eau, nous vous recommandons également de mettre l'appareil en veille au préalable, puis de vider complètement le réservoir une fois avant de reprendre l'utilisation normale.

### 3.2 Consignes de sécurité générales



#### ATTENTION Brûlure

- La température de la robinetterie de cuisine peut dépasser 60 °C (140 °F).
- Danger de brûlures à des températures de sortie supérieures à 43 °C (109.4 °F).



#### AVERTISSEMENT Blessure

L'appareil peut être utilisé par les enfants à partir de 8 ans, ainsi que par des personnes aux facultés physiques, sensorielles ou mentales réduites, ou par des personnes sans expérience, s'ils sont sous surveillance ou qu'ils ont été formés à l'utilisation en toute sécurité de l'appareil, et s'ils ont compris les dangers encourus. Ne laissez pas les enfants jouer avec l'appareil. Ne confiez pas le nettoyage ni les opérations de maintenance réservées aux utilisateurs à des enfants sans surveillance..



#### Dommages matériels

L'appareil et la robinetterie de cuisine doivent être protégés du gel par l'utilisateur.



#### Dommages matériels

Le contact ponctuel mais fréquent d'eau brûlante sur les éviers de cuisine en matériaux composites peut entraîner des décolorations.

### 3.3 cETLus / WQA

La marque cETLus indique que l'appareil répond à toutes les exigences de sécurité électrique pour un fonctionnement aux États-Unis et au Canada.

- Certifié à la norme ANSI/UL 94 & UL 499
- Conforme à la norme CAN/CSA C22.2 No. 64
- Testé et certifié par WQA à la NSF/ANSI/CAN 372 pour une utilisation sans plomb.

### 3.4 Label de conformité

Voir la plaque signalétique sur l'appareil.

## 4. Enregistrez votre produit



#### Remarque

Vous devez enregistrer ce produit sur notre site Internet dans les 90 jours suivant l'achat pour activer une garantie standard ou pour pouvoir bénéficier de l'extension de garantie. Rendez-vous sur notre site Internet à l'adresse : [www.stiebel-eltron-usa.com](http://www.stiebel-eltron-usa.com) et cliquez sur « Register Your Product » (« Enregistrez votre produit »).

Avant de démarrer le processus d'enregistrement, nous vous recommandons de rassembler les informations nécessaires ci-dessous :

Modèle, par exemple : UltraHot Plus (sur l'étiquette située en haut de l'unité, au centre)

Numéro indiqué après « Nr. »

Lieu d'achat

Date d'achat

Prénom et nom

Adresse électronique

Adresse postale

N° de téléphone

Si vous avez des questions concernant le processus d'enregistrement ou les options de garantie, contactez directement Stiebel Eltron USA au 800-582-8423 ou au 413-247-3380.

## 5. Description du produit

L'appareil chauffe l'eau sanitaire électriquement. L'appareil UltraHot Plus/Premium est équipé d'un détecteur automatique de point d'ébullition breveté qui détermine automatiquement le point d'ébullition, puis réduit la température de 5 °C (9 °F) pour empêcher l'appareil de bouillir accidentellement à sec. La détection automatique du point d'ébullition se reproduira si l'appareil est débranché ou s'il est privé de courant pendant environ 18 heures.

La fonction anti-gouttes empêche l'écoulement d'eau d'expansion par la robinetterie de cuisine pendant la montée en température.

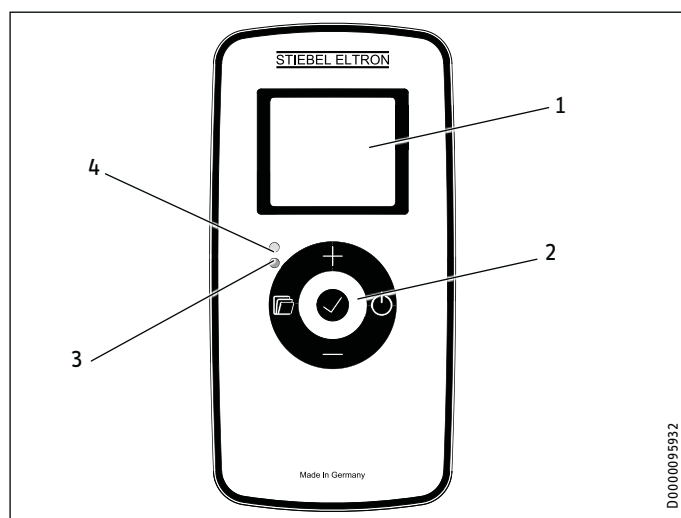
Des robinets d'eau chaude non pressurisés appropriés peuvent être utilisés pour tirer de l'eau chaude de l'appareil. Stiebel Eltron propose des robinets spécialement conçus pour l'UltraHot Plus/Premium.



### Remarque

Pour éviter d'endommager l'appareil et l'installation, seuls les robinets de cuisine non pressurisés compatibles doivent être utilisés avec cet appareil. Les robinets Stiebel Eltron ont été testés et approuvés pour être utilisés avec les appareils UltraHot Plus/Premium.

### 5.1 Commandes sur l'appareil



- 1 Écran
- 2 Module de commande
- 3 LED rouge
- 4 LED verte

### 5.2 Module de commande

Touche	Dénomination	Description
	Touche « Menu »	Sélectionner et quitter les menus Appui bref : sélectionner les réglages de base Appui prolongé : sélectionner le menu de paramétrage
	Touche « OK »	Confirmer la sélection et les réglages
	Touche Marche/Arrêt	Activer et désactiver le mode veille
	Touche « + »	Sélectionner les rubriques de menu Modifier les réglages Activer et désactiver le verrouillage des commandes
	Touche « - »	Sélectionner les rubriques de menu Modifier les réglages Activer et désactiver le verrouillage des commandes

#### 5.2.1 Code lumineux

LED	Signification
La LED rouge est allumée	Le chauffage est en marche.
La LED verte clignote, la LED rouge est allumée	Détection du point d'ébullition
Les deux LED clignotent rapidement (1 s)	Défaut. Tenir compte des informations affichées à l'écran.

#### 5.2.2 Symboles de l'écran

Symbole	Description
	Horloge : Affichage de l'heure actuelle ou d'une heure de démarrage programmée.
	Mode programmation : L'appareil chauffe en fonction du programme de temporisation sélectionné.
	Température préférée : L'appareil maintient la température préférée réglée et l'affiche sur l'écran.
	Mode nuit : L'appareil maintient la température nocturne inférieure pré-réglée.
	Protection hors gel : L'appareil est protégé du gel (température de protection hors gel = 7 °C (45 °F)). La robinetterie et les conduites d'eau ne sont pas protégées contre le gel.
	Verrouillage des commandes La console est verrouillée.
	Chauffage actif : L'appareil chauffe pour maintenir la température de consigne réglée.
	Affichage de la température
	Paramètre modifiable : Le paramètre affiché peut être modifié à l'aide des touches « + » et « - ».

**5.2.3 Affichage par défaut**

Après la mise en marche de l'appareil et l'exécution de la détection du point d'ébullition, l'écran affiche en permanence la température souhaitée ou « HOT » comme affichage par défaut.

Si vous vous trouvez dans le menu, mais que vous n'effectuez aucune action pendant 20 secondes, l'appareil repasse automatiquement à l'affichage par défaut.

**Rétro-éclairage**

En l'absence d'action de l'utilisateur pendant 20 secondes, le rétro-éclairage de l'écran s'éteint. Appuyez sur une touche quelconque pour réactiver le rétro-éclairage.

**Verrouillage des commandes**

Pour verrouiller la console contre toute utilisation involontaire ou pour la déverrouiller, maintenez les touches « + » et « - » enfoncées pendant 5 secondes.

**6. Réglages**

**6.1 Réglage de la température préférée**




Vous pouvez utiliser les boutons de l'interface utilisateur pour régler la température que vous préférez entre 65 °C (149 °F) et la température de point d'ébullition détectée [-5 °C (-9 °F)] à l'aide des touches de la console.

- ▶ Appuyez sur la touche « + » ou « - » jusqu'à ce que la température souhaitée s'affiche à l'écran.

L'appareil de production d'eau brûlante reprend automatiquement le réglage au bout de 20 secondes.

**6.2 Réglages de base**

Vous pouvez effectuer ici les réglages de base de l'appareil. Les rubriques de menu suivantes sont disponibles à cet effet :

Affichage	Description
	Définir le jour de la semaine et l'heure
	Régler la température du mode nuit (Réglage d'usine = (65 °C (149 °F))
	Activation du mode programmation (Pro1, Pro2, Pro3) ou désactivation (off)

- ▶ Pour accéder aux réglages de base, appuyez brièvement sur la touche « Menu ». Vous pouvez ensuite sélectionner les rubriques de menu avec les touches « + » et « - » :
- ▶ Si vous souhaitez modifier les valeurs d'une rubrique de menu, sélectionnez celle-ci à l'aide des touches « + » et « - ». Appuyez sur la touche « OK ».
- ▶ Dès que le symbole « Paramètre modifiable » apparaît, vous pouvez modifier le réglage avec les touches « + » et « - ». Appuyez sur la touche « OK » pour enregistrer le réglage.
- ▶ Pour quitter les réglages de base, appuyez sur la touche « Menu ». L'affichage par défaut apparaît.

**6.2.1 Définir le jour de la semaine et l'heure**

Les réglages du jour de la semaine et de l'heure sont nécessaires au bon fonctionnement des programmes horaires.

- ▶ Naviguez jusqu'à l'option de menu « Régler le jour de la semaine et l'heure » (« Set day of the week and time »)
- ▶ Réglez le jour de la semaine à l'aide des boutons « + » et « - ». Le jour de la semaine est réglé numériquement : « 1 » signifie lundi.
- ▶ Appuyez sur « OK ».
- ▶ Réglez l'heure à l'aide des boutons « + » et « - ». L'heure est réglée en augmentant/diminuant continuellement les minutes. Une pression prolongée sur la touche « + » ou « - » active le défilement rapide.
- ▶ Pour quitter le réglage du jour de la semaine et de l'heure, appuyez sur « OK ».

 **Remarques**

- Lors de la première mise en service et après une coupure de courant prolongée (plus de 8 heures environ), vous devez régler le jour et l'heure.
- Vous pouvez régler le format horaire 12 ou 24 heures dans le menu de paramétrage.

**6.2.2 Régler la température du mode nuit**

Pour les périodes où aucune eau chaude n'est nécessaire, le réglage de la température de l'appareil peut être réduit à une valeur inférieure réglable en « mode nuit », en fonction de l'heure de la journée. Cette fonction est bonne pour l'environnement et permet également d'économiser de l'énergie.

Si vous le souhaitez, vous pouvez régler la température par défaut du mode nuit de 65 °C (149 °F) :

- ▶ Naviguez dans les réglages standard jusqu'à l'élément de menu « Activation du mode programmation » et ajustez le réglage de la température à l'aide des boutons « + » et « - ».
- ▶ Appuyez sur la touche « OK » pour enregistrer le réglage.

Les réglages préprogrammés (Pro1 et Pro2) utilisent la fonction de mode nuit. Il est également possible de définir un programme horaire personnalisé (Pro3) qui déterminera les heures pendant lesquelles le mode nuit est actif.

**6.2.3 Sélection ou désactivation du programme de temporisation / mode programmation**

Pour les périodes où aucune eau chaude n'est nécessaire, le réglage de la température de l'appareil peut être réduit à une valeur inférieure réglable en « mode nuit », en fonction de l'heure de la journée. Cette fonction est bonne pour l'environnement et permet également d'économiser de l'énergie.

Si vous le souhaitez, vous pouvez régler la température par défaut du mode nuit de 65 °C (149 °F) :

- ▶ Naviguez dans les réglages standard jusqu'à l'élément de menu « Régler la température du mode nuit » et ajustez le réglage de la température à l'aide des boutons « + » et « - ».
- ▶ Appuyez sur la touche « OK » pour enregistrer le réglage.

Les réglages préprogrammés (Pro1 et Pro2) utilisent la fonction de mode nuit. Il est également possible de définir un programme horaire personnalisé (Pro3) qui déterminera les heures pendant lesquelles le mode nuit est actif.

Affichage	Description
Pro1	Répétition : tous les jours Pour les installations privées par exemple

Affichage	Description
Pro2	Répétition : jours ouvrables Pour les espaces de travail par exemple
Pro3	Personnalisé, voir la section « Pro3 », page 38.
OFF	L'appareil fonctionne toujours en mode eau chaude

Les programmes de temporisation Pro1 et Pro2 sont configurés en usine comme suit :

- de 08 h 00 à 22 h 00 : mode eau brûlante
- de 22 h 00 à 08 h 00 : mode nuit



### Remarque

Si le programme Pro2 est activé, l'appareil fonctionne toujours en mode nuit le week-end.

### 6.2.4 Activation/désactivation du compteur de filtre

L'appareil UltraHot Plus/Premium doit être équipé d'un filtre à eau si la dureté de l'eau est supérieure ou égale à 1,5 mmol/l (150°ah). Cela évite l'accumulation de tartre dans l'appareil. Si vous utilisez l'appareil sans filtre à eau externe au-delà de cette valeur, la garantie de l'appareil est invalidée.

L'appareil dispose d'un compteur de filtre intégré qui détermine la quantité d'eau soutirée et indique le changement de filtre nécessaire à l'écran et au moyen des LED de l'unité de commande.

Pour utiliser cette fonction, vous devez activer le compteur de filtre dans les réglages de base.



### Remarque

Vous pouvez régler la dureté de l'eau sanitaire dans le menu de paramétrage.

### 6.3 Activation et désactivation du mode veille

En cas d'absence prolongée, vous pouvez mettre l'appareil en mode veille. En mode veille, la température du contenu du réservoir est maintenue à 7 °C (45 °F) pour protéger l'appareil du gel.

D'une manière générale, l'appareil est ainsi protégé du gel quand il est sous tension. La robinetterie de cuisine et les raccordements hydrauliques ne sont pas protégés par l'appareil.

- Pour activer/désactiver le mode veille, appuyez sur la touche « Marche/Arrêt » de la console.

Lorsque le mode veille est actif, l'écran affiche « --- ».

En veille, un symbole de ❄️ s'affiche.

### 6.4 Menu de paramétrage

Dans le menu de paramétrage, vous pouvez afficher les valeurs réelles, configurer les programmes de temporisation pour le mode programmation et régler d'autres paramètres.

Affichage	Description	Unité
I1	Température réelle	°C   °F
I2	Temps de service en jours	d
I3	Temps de chauffe en heures (Le compteur est remis à 0 après 9999.)	h
I5	Capacité résiduelle du filtre	l
Pro1-Pro3	Programmes de temporisation	
P3	Réglage du format de l'heure	12 h   24 h

Affichage	Description	Unité
P4	Réglage du format de température	°C   °F
P6	Restauration des réglages d'usine	on   off

- Pour accéder au menu de paramétrage, maintenez la touche « Menu » enfoncée. La valeur réelle I1 s'affiche au bout de 3 secondes env.
- Vous pouvez naviguer entre les différentes valeurs réelles et les différents programmes de temporisation et paramètres à l'aide des touches « + » et « - ».
- Si vous souhaitez modifier la valeur d'un paramètre, sélectionnez ce dernier à l'aide des touches « + » et « - ». Appuyez sur la touche « OK ».
- Dès que le symbole « Paramètre modifiable » apparaît, vous pouvez modifier la valeur du paramètre à l'aide des touches « + » et « - ». Appuyez sur la touche « OK » pour enregistrer la valeur paramétrée.
- Pour quitter le menu de paramétrage, appuyez sur la touche « Menu ». L'affichage par défaut apparaît.

### 6.4.1 Configuration des programmes de temporisation / du mode programmation

Vous disposez de 3 programmes pour le mode programmation. Les programmes horaires Pro1 et Pro2 sont préconfigurés en usine, mais peuvent être ajustés selon les besoins. Vous pouvez régler le programme horaire Pro3 pour répondre à vos besoins individuels.

Affichage	Description
Pro1	Répétition : tous les jours Pour les installations privées par exemple
Pro2	Répétition : jours ouvrables Pour les espaces de travail par exemple
Pro3	Personnalisé, voir la section « Pro3 », page 38.



### Remarque

Lors de la configuration des programmes de temporisation, assurez-vous que l'heure et le jour sont correctement réglés sur l'appareil.



### Remarque

Lorsque le mode veille est activé (touche « Marche/Arrêt »), le mode programmation est suspendu.

### Pro1 | Pro2

UltraHot Plus/Premium propose 3 programmes de temporisation : Pro1, Pro2 et Pro3. Pro1 et Pro2 sont préprogrammés en usine, mais vous pouvez aussi les ajuster si nécessaire.

Procédez comme suit pour régler les programmes de temporisation Pro1 et Pro2 en fonction de vos besoins :

- Dans le menu de paramétrage, appelez le programme de temporisation souhaité à l'aide des touches « + » et « - ».
- Appuyez sur la touche « OK ». L'heure de début du mode eau brûlante s'affiche.
- Réglez l'heure de début souhaitée à l'aide des touches « + » et « - ».
- Appuyez sur la touche « OK ». L'heure de fin du mode eau brûlante s'affiche.



## Nettoyage, entretien et maintenance

- ▶ Réglez l'heure de fin souhaitée à l'aide des touches « + » et « - ».
- ▶ Appuyez sur la touche « OK ».  
Le programme de temporisation est configuré.

### Pro3

Avec le programme de temporisation Pro3, vous pouvez définir jusqu'à 14 plages Eau brûlante distinctes se répétant d'une semaine sur l'autre.

Procédez comme suit pour configurer une plage Eau brûlante dans le programme de temporisation Pro3 :

- ▶ Dans le menu de paramétrage, appelez le programme de temporisation Pro3 à l'aide des touches « + » et « - ».
- ▶ Appuyez sur la touche « OK ».  
L'écran affiche « 3--- ».
- ▶ Appuyez sur la touche « OK ».  
Le jour ou un groupe de jours est affiché.
- ▶ Définissez le jour ou le groupe de jours souhaité à l'aide des touches « + » et « - ».
- ▶ Appuyez sur la touche « OK ».  
L'heure de début du mode eau brûlante s'affiche.
- ▶ Réglez l'heure de début souhaitée à l'aide des touches « + » et « - ».
- ▶ Appuyez sur la touche « OK ».  
L'heure de fin du mode eau brûlante s'affiche.
- ▶ Réglez l'heure de fin souhaitée à l'aide des touches « + » et « - ».
- ▶ Appuyez sur la touche « OK ».  
La plage Eau brûlante « 3-01 » est configurée. Le programme de temporisation Pro3 est à nouveau affiché.
- ▶ Appuyez sur la touche « OK » pour configurer une autre plage Eau brûlante. Sélectionnez l'affichage « 3--- » à l'aide des touches « + » et « - ». Procédez ensuite comme décrit plus haut.



#### Remarque

La remarque suivante est valable pour chacun des programmes (Pro1, Pro2, Pro3) :

- Si l'heure de fin est antérieure à l'heure de début, l'heure de fin est automatiquement reportée au jour suivant. La plage Eau brûlante sera maintenue après minuit et se terminera le lendemain à l'heure réglée.



#### Remarque

Activez le programme de temporisation souhaité dans les réglages de base (voir le chapitre « Utilisation / Réglages / Réglages de base »).



#### Remarque

Pour réinitialiser les plages Eau brûlante réglées, activez le paramètre « Rétablissement des réglages d'usine ».

- ▶ Notez que le rétablissement des réglages d'usine remet tous les réglages de l'appareil dans l'état à la livraison.

### 6.4.2 Réglage du format de l'heure

Le paramètre P3 vous permet de définir le format horaire sur 12 ou 24 heures.

### 6.4.3 Réglage de l'unité d'affichage de la température

Avec le paramètre P4, vous pouvez définir l'unité d'affichage de la température : degrés Celsius °C ou degrés Fahrenheit °F. Réglage d'usine = °F.

### 6.4.4 Restauration des réglages d'usine

En activant le paramètre P6, vous rétablissez la configuration d'origine (état à la livraison) de l'appareil.

- ▶ Après l'activation du paramètre P6, vous devez débrancher la fiche secteur de l'appareil après un délai d'attente de 10 s environ, puis la rebrancher après un nouveau délai de 10 s environ.

L'appareil rétablit ensuite les réglages d'usine.

## 7. Nettoyage, entretien et maintenance

- ▶ N'utilisez aucun produit de nettoyage abrasif ou corrosif. Un chiffon humide suffit pour le nettoyage et l'entretien de l'appareil.
- ▶ Contrôlez régulièrement la robinetterie. Vous pouvez éliminer le tartre à la sortie avec les produits de détartrage du commerce. S'il y a un aérateur, retirez-le du raccord à vis pour le détartrer. Les robinets Stiebel Eltron sont équipés d'un aérateur.

### Rinçage de l'appareil et de la robinetterie



#### Remarque

Si l'appareil est en mode veille depuis plus d'une semaine ou si son alimentation électrique a été complètement coupée, nous recommandons de le rincer.

- ▶ Laissez le robinet de soutirage de l'eau brûlante ouvert pendant 3 minutes environ.



### 8. Dépannage

Problème	Cause	Remède
L'appareil ne produit pas d'eau brûlante.	L'appareil n'est pas sous tension.	Vérifiez les disjoncteurs de l'installation domestique.
	L'appareil se trouve en mode veille.	Allumez l'appareil en appuyant sur la touche « ON/OFF ».
	Le filtre de l'arrivée d'eau froide de l'appareil est colmaté.	Nettoyez le filtre comme indiqué au chapitre 16.2.
Il est possible de soutirer uniquement de petites quantités d'eau par la robinetterie.	Le filtre de l'arrivée d'eau froide de l'appareil est colmaté.	Nettoyez le filtre comme indiqué au chapitre 16.2.
	La détection du point d'ébullition s'est terminée avec erreur.	Réinitialisez l'appareil sur les réglages d'usine et refaites la mise en service.
L'appareil n'atteint pas de température > 90 °C (194 °F).		

Appelez l'installateur si vous ne réussissez pas à éliminer la cause du problème. Pour obtenir une aide efficace et rapide, communiquez-lui le numéro indiqué sur la plaque signalétique (000000-0000-000000-0000).

# INSTALLATION

### 9. Sécurité

L'installation, la mise en service, la maintenance et les réparations apportées à cet appareil doivent exclusivement être confiées à un installateur.



#### AVERTISSEMENT Blessure

**N'installez pas l'appareil à un endroit où il serait régulièrement aspergé d'eau. Il peut en résulter un choc électrique.**



#### AVERTISSEMENT Blessure

**Les conduites d'eau brûlante peuvent être très chaudes lorsqu'on les touche. Pour les conduites d'eau chaude sanitaire d'une hauteur inférieure à 36» (0,91 m), une isolation doit être utilisée en raison du risque de brûlures pour les enfants.**



#### ! Dommages matériels

Une eau dure ou une eau à forte teneur en minéraux peut endommager l'appareil. Les dommages causés à l'appareil par le tartre ou une forte concentration de minéraux ne sont pas couverts par la garantie. Stiebel Eltron recommande d'utiliser un système de filtrage externe au niveau de l'arrivée d'eau froide du UltraHot Plus/Premium.



#### ! Dommages matériels

Cet appareil ne doit pas être installé à un endroit où il peut être exposé à des températures de gel (inférieures à 2 °C). Si l'appareil est susceptible d'être exposé à de telles températures, toute l'eau qu'il contient doit être évacuée. Le non-respect de cette consigne entraîne l'annulation de toute garantie.

L'appareil doit être installé dans une zone où tout écoulement d'eau de l'appareil ou de ses raccords n'endommagera pas la zone adjacente à l'appareil. Si cela est impossible, il est recommandé d'installer un bac de récupération d'eau sous l'appareil.

#### 9.1 Consignes de sécurité générales

Nous ne garantissons un fonctionnement optimal et sûr de l'appareil que si les accessoires compatibles prévus sont employés.

#### 9.2 Prescriptions, normes et réglementations



#### Remarque

Respectez toutes les prescriptions et réglementations nationales et locales en vigueur.

### 10. Description du produit

Cet appareil à écoulement libre (sans pression) convient uniquement au montage sous évier. L'appareil est conçu pour fournir un point de puisage pour l'eau presque bouillante.

L'appareil ne doit être utilisé qu'avec une robinetterie à écoulement libre fournie par Stiebel Eltron ou un autre fabricant. Si vous utilisez d'autres robinetteries, la garantie de l'appareil est invalidée.

#### 10.1 Fourniture

Sont fournis avec l'appareil :

- Support mural

#### 10.2 Accessoires

##### 10.2.1 Accessoires optionnels

Les robinets compatibles avec Stiebel Eltron sont disponibles séparément.

##### 10.2.2 Accessoires supplémentaires recommandés

- Filtre à eau pour le raccord d'alimentation en eau froide (disponible séparément)

### 11. Travaux préparatoires

- Rincez soigneusement la conduite d'eau.

#### Installation hydraulique

Une soupape de sécurité n'est pas nécessaire.

#### Robinetteries

Des robinets d'eau chaude non pressurisés appropriés peuvent être utilisés pour tirer de l'eau chaude de l'appareil. Stiebel Eltron propose des robinets spécialement conçus pour l'UltraHot Plus/Premium.



#### Dommmages matériels

Pour éviter d'endommager l'appareil et l'installation, seuls les robinets de cuisine non pressurisés compatibles doivent être utilisés avec cet appareil. Les robinets Stiebel Eltron ont été testés et approuvés pour être utilisés avec les appareils UltraHot Plus/Premium.

#### 11.1 Lieu d'installation



#### Dommmages matériels

L'appareil doit impérativement être installé dans un local hors gel.



#### Dommmages matériels

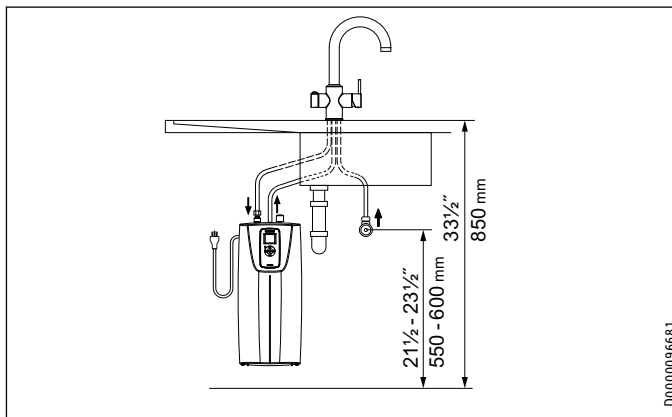
L'appareil convient uniquement au montage sous évier. Les raccordements hydrauliques de l'appareil doivent être dirigés vers le haut.



#### Remarque

Veillez à ce que l'appareil soit facilement accessible pour les interventions de maintenance.

Posez l'appareil verticalement à proximité du point de soutirage.

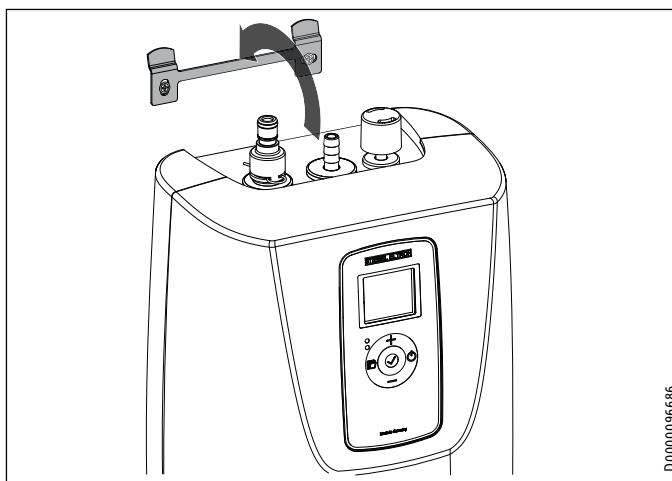


1 Distances minimales

### 12. Montage

#### 12.1 Pose de l'appareil

- Marquez les points de perçage en utilisant le support comme modèle.
- Percez les trous et fixez le support de fixation murale avec les vis et les accessoires appropriés si nécessaire pour le support mural.
- Accrochez l'appareil sur la fixation murale.



1 Suspension de l'appareil UltraHot Plus/Premium

#### 12.2 Raccordement hydraulique



#### Dommmages matériels

Exécutez tous les travaux de raccordement et d'installation hydrauliques suivant les prescriptions.



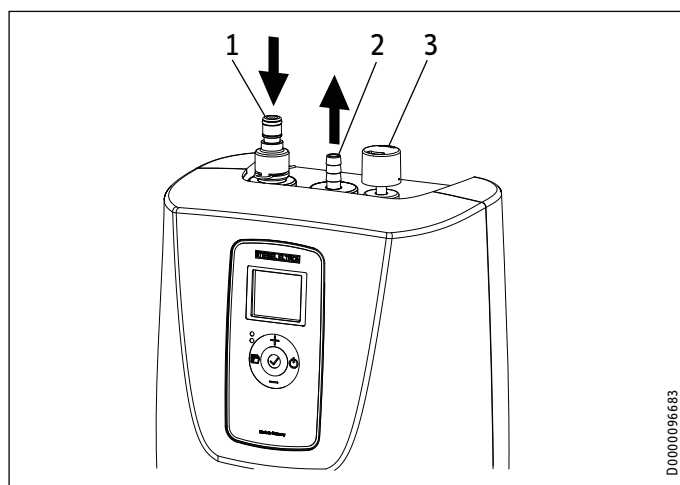
### Dommages matériels

L'appareil peut perdre son étanchéité et devenir inopérant.

- ▶ Ne mettez pas l'appareil sous pression.
- ▶ Ne permutez pas les raccords hydrauliques.

Accordez les codes couleur des raccords de la robinetterie à ceux de l'appareil :

- 1 Bleu = entrée d'alimentation en eau froide - connecteur à emboîter
- 2 Rouge = sortie d'eau chaude - buse
- 3 Blanc = tube d'aération et capuchon automatique



### Raccords hydrauliques

- ▶ Pour l'arrivée d'eau froide : branchez le manchon rapide de la robinetterie sur l'arrivée d'eau froide du UltraHot Plus/Premium.
- ▶ Pour la sortie de l'eau brûlante, introduisez le tuyau  $\frac{7}{16}$  po. dans la robinetterie jusqu'à la butée sur le manchon de la sortie de l'eau chaude sur l'appareil UltraHot Plus / Premium.
- ▶ Bloquez le point de raccordement en glissant et en fixant le collier fourni à l'aide d'une pince spéciale collier, d'une pince plate ou d'une tenaille.



### Remarque

Le tuyau de sortie d'eau chaude doit être installé de manière à ce qu'il monte en pente constante vers le robinet, sans fléchissement du tuyau.

- ▶ Pour le tube d'aération : UltraHot Plus/Premium est équipé d'un purgeur d'air automatique et n'a pas besoin d'être raccordé à un tuyau. Si vous installez un robinet de distribution d'eau presque bouillante avec un tuyau d'évent sur un UltraHot Plus/Premium, le tuyau d'évent peut ne pas être raccordé et l'évent automatique de l'UltraHot Plus/Premium ventilera l'appareil selon les besoins. Le tuyau d'évent peut être raccordé à l'UltraHot Plus/Premium en tirant vers le haut le capuchon de l'évent automatique de l'UltraHot Plus/Premium. Le tuyau d'évent du robinet peut alors être poussé sur le tube d'évent restant.



### Remarque

Assurez-vous que les raccords hydrauliques ne sont pas coudés lors du montage. Évitez toute contrainte de traction lors du montage.

## 12.3 Connexion à un filtre à eau (nécessaire dans les régions où l'eau est dure)



### Dommages matériels

L'appareil UltraHot Plus/Premium doit être utilisé avec un filtre à eau lorsque les valeurs de dureté de l'eau sont supérieures ou égales à 1,5 mmol/l (8,76 gpg). Cela permet d'éviter l'accumulation de calcaire dans l'appareil. L'utilisation de l'appareil sans filtre à eau externe à des valeurs supérieures à celles-ci annule la garantie de l'appareil. Les dommages causés à l'appareil par le calcaire ou une concentration élevée de minéraux ne sont pas couverts par la garantie.

Dans les régions où l'eau est dure, lorsque les valeurs de dureté de l'eau sont supérieures ou égales à 1,5 mmol/l (8,76 gpg), l'appareil UltraHot Plus/Premium doit être utilisé avec un filtre à eau (non fourni). Pour que le filtre à eau fonctionne correctement, il doit être installé entre le raccordement mural et le robinet.



### Remarque

Observez les instructions d'utilisation et d'installation du fabricant du filtre pendant le montage du filtre à eau (non fourni).



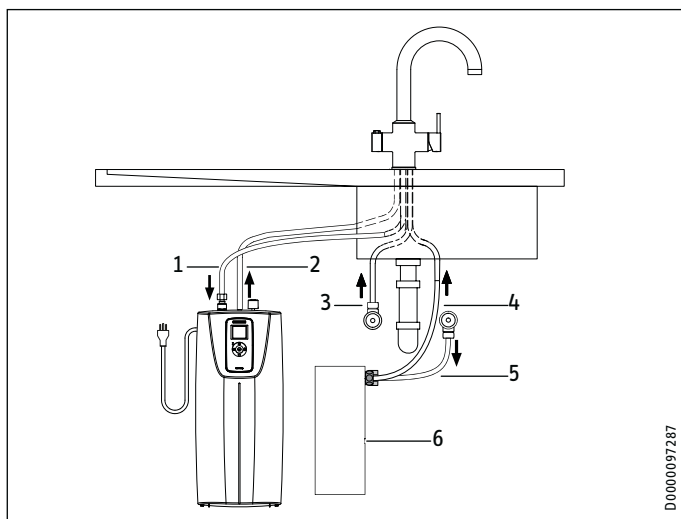
### Remarque

Veillez à ce que le tuyau de sortie d'eau chaude présente une pente constante.

# INSTALLATION

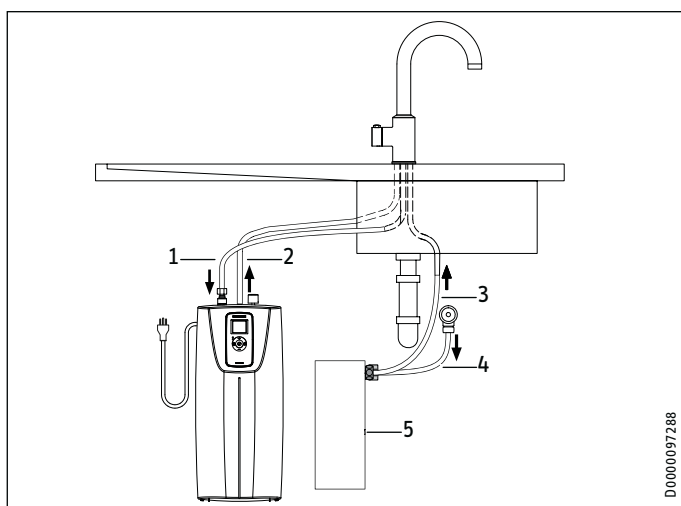
## Mise en service

### 12.3.1 Raccordement à un filtre à eau proposé et une robinetterie de cuisine 3-en-1 (proche de l'ébullition, chaud, froid)



1	Arrivée d'eau froide vers l'appareil	Tuyau en matière synthétique avec manchon rapide
2	Sortie d'eau brûlante sur l'appareil	Tuyau 7/16 po. en matière synthétique
3	Arrivée d'eau chaude vers la robinetterie	Flexible court à liseré rouge
4	Arrivée d'eau froide vers la robinetterie	Flexible court à liseré bleu
5	Arrivée d'eau froide vers le filtre	
6	Filtres à eau proposé (non fourni)	

### 12.3.2 Raccordement du filtre à eau recommandé et du robinet unique d'eau proche de l'ébullition



1	Arrivée d'eau froide vers l'appareil	Tuyau en matière synthétique avec manchon rapide
2	Sortie d'eau brûlante	Tuyau 7/16 po en matière synthétique
3	Arrivée d'eau froide vers la robinetterie	Flexible court à liseré bleu
4	Arrivée d'eau froide vers le filtre	
5	Filtres à eau proposé (non fourni)	

### 12.4 Raccordement électrique



#### AVERTISSEMENT Électrocution

Exécutez tous les travaux de raccordement et d'installation électriques conformément aux prescriptions.



#### Dommages matériels

La tension indiquée sur la plaque signalétique doit correspondre à la tension du secteur.

► Respectez les indications de la plaque signalétique.

Les possibilités de raccordement électrique suivantes sont autorisées :

- Connexion à une prise électrique avec terre facilement accessible avec la fiche correspondante.

## 13. Mise en service



#### AVERTISSEMENT Électrocution

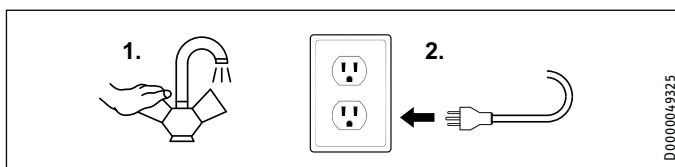
La mise en service doit être réalisée par un installateur dans le respect des prescriptions de sécurité.



#### Remarque

Lors de la première mise en service et après une interruption prolongée de l'alimentation électrique (environ 8 heures), vous devez régler le jour de la semaine et l'heure.

### 13.1 Première mise en service



- Ouvrir les vannes d'alimentation en eau chaude et froide.
- Ouvrez le robinet d'eau chaude et laissez-le couler jusqu'à ce que de l'eau sans bulles en sorte (au moins 3 à 5 minutes). Respectez les instructions du robinet lors de cette opération.
- Une fois que le flux est exempt de bulles d'air, fermez le robinet d'eau chaude.
- Vérifiez qu'aucun des raccords de plomberie ne fuit.
- Insérer la fiche dans la prise de terre.



#### Remarque

La fonction de détection de marche à sec se déclenche si la séquence (d'abord l'eau, puis le courant) n'est pas respectée.

#### 13.1.1 Détection de marche à sec

Lors de la première mise en service et après chaque coupure de courant, la carte de contrôle de l'appareil effectue une vérification de la protection contre le fonctionnement à sec. Ce contrôle dure environ 60 secondes.

Pendant le contrôle de protection de la marche à blanc :

- Différents symboles et textes sont affichés sur l'écran

## Mise hors service

- Le rétro-éclairage de l'écran est activé
- Ne pas utiliser l'appareil
- Ne pas débrancher l'appareil de l'alimentation électrique
- Ne pas tirer l'eau de l'appareil au robinet

Si la protection contre la marche à sec a réagi en raison d'un manque d'eau dans l'appareil, le code d'erreur « E1 » s'affiche. Le redémarrage de l'appareil est bloqué pendant 5 minutes.

Procédez comme suit :

- ▶ Assurez-vous que les vannes d'alimentation en eau froide et en eau chaude sont ouvertes.
- ▶ Remplir l'appareil d'eau par la vanne d'eau chaude du robinet.
- ▶ Après un délai de blocage de 5 minutes, l'appareil effectue un nouveau contrôle de la protection contre l'ébullition et la dessiccation.
- ▶ Si le défaut continue à s'afficher, réinitialisez l'appareil (P6 = on).

### 13.1.2 Détection du point d'ébullition

Une fois que le contrôle de la protection contre la marche à sec s'est achevé avec succès, l'appareil lance la détection automatique du point d'ébullition.

Pendant ce temps, « boil » (bouillir) est affiché. Le voyant rouge est constamment allumé. La détection du point d'ébullition dure environ 15 minutes. La durée dépend de la température de l'eau froide.

Once boiling point detection has been completed, the maximum temperature determined is shown on the display and set as the preferred temperature.

### 13.1.3 Remise de l'appareil au client

- ▶ Expliquez les différentes fonctions de l'appareil à l'utilisateur. Familiarisez-le avec leur utilisation.
- ▶ Indiquez à l'utilisateur les risques encourus, notamment le danger de brûlures.
- ▶ Transmettez les présentes instructions et, le cas échéant, les notices d'emploi des accessoires.

## 13.2 Remise en service

Voir chapitre « Installation / Mise en service / Première mise en service ».

## 14. Mise hors service

- ▶ Débranchez l'appareil du secteur en retirant la fiche ou en actionnant le disjoncteur de l'installation électrique.
- ▶ Vidangez l'appareil (voir chapitre « Installation / Maintenance / Vidange de l'appareil »).

## 15. Liste d'erreurs

Les défauts sont signalés par le clignotement des LED. Le code défaut correspondant s'affiche à l'écran :

Code défaut	Cause	Remède
E001	Marche à sec	Voir le chapitre « Première mise en service / Détection de marche à sec ».

Code défaut	Cause	Remède
E002	Défaut sonde de température (rupture, court-circuit)	Remplacer l'appareil
E007	Attendre le refroidissement pour la détection du point d'ébullition	Ouvrez le robinet d'eau brûlante jusqu'à ce que de l'eau froide s'écoule. Fermez le robinet et attendez que la détection du point d'ébullition aboutisse.
E999	Erreur générale	Eteindre l'appareil et contacter Stiebel Eltron

## 16. Maintenance



**AVERTISSEMENT Électrocution**  
Avant toute intervention, coupez électriquement l'appareil du réseau.

- ▶ Démontez l'appareil pour exécuter les travaux de maintenance.

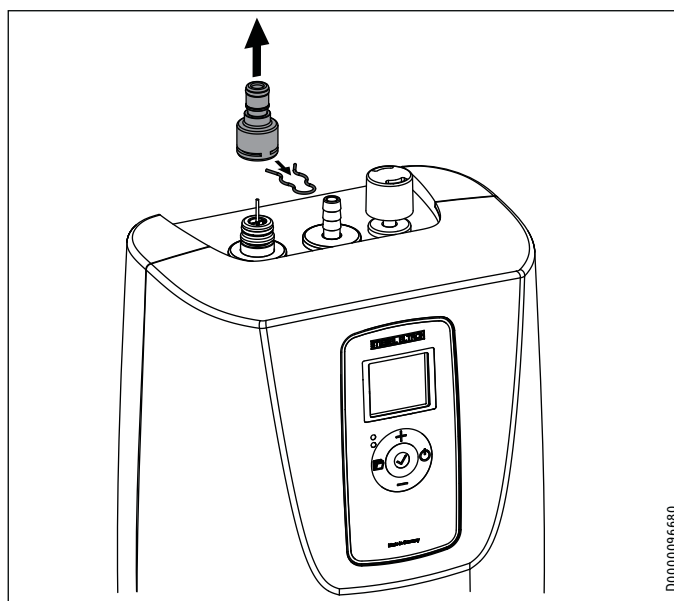
### 16.1 Vidange de l'appareil



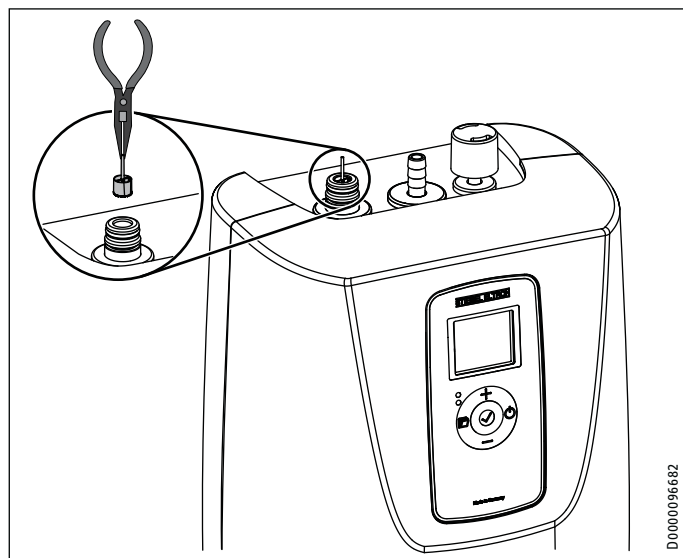
**AVERTISSEMENT Brûlure**  
L'eau vidangée peut être très chaude.

- ▶ Avant de vidanger l'appareil, débranchez la fiche secteur et soutirez de l'eau pendant au moins deux minutes jusqu'à ce qu'il ne reste plus que de l'eau froide à la sortie d'eau brûlante de la robinetterie.
- ▶ Vidangez l'appareil via le manchon de raccordement.

### 16.2 Nettoyer le filtre



1 Retrait du manchon rapide



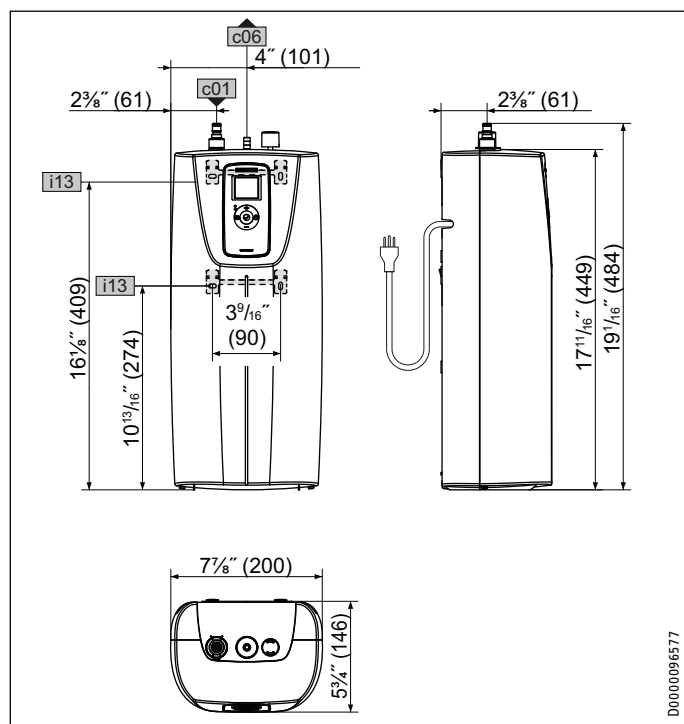
D0000096682

### 2 Retrait du filtre

- ▶ Débranchez le raccordement « Arrivée eau froide ».
- ▶ Désolidarisez le manchon rapide de l'appareil.
- ▶ Extrayez le filtre du raccordement « Arrivée eau froide » à l'aide d'une pince.
- ▶ Détartrez ou remplacez le filtre.
- ▶ Remettez le filtre en place, montez le manchon rapide et raccordez à nouveau l'arrivée d'eau froide.

## 17. Données techniques

### 17.1 Cotes et raccords



D0000096577

UltraHot® Plus/Premium		
c01	Arrivée eau froide	Manchon rapide
c06	Sortie eau chaude	Douille
i13	Support mural	2 postes possibles

### 17.2 Homologations et certificats spécifiques au pays

Les labels de conformité sont indiqués sur la plaque signalétique.

### 17.3 Conditions de service et de panne extrêmes

En cas de dysfonctionnement, la température à l'intérieur de l'appareil peut monter jusqu'à un maximum de 100 °C (212 °F).

### 17.4 Tableau des données

	UltraHot Plus*	UltraHot Premium*
Article n°	203876	203877
<b>Données électriques</b>		
Tension nominale	120 V	120 V
Puissance nominale	0,75 kW	1,44 kW
Courant nominal	6,25 A	12 A
Disjoncteur	10 A	15 A
Phase	1/N/GND	1/N/GND
Fréquence	50/60 Hz	50/60 Hz
<b>Données hydrauliques</b>		
Capacité nominale	2,6 l (0,7 gal)	2,6 l (0,7 gal)
Débit maximal, eau chaude	2,5 l/min (0,66 gpm)	2,5 l/min (0,66 gpm)
<b>Exigences en matière de qualité de l'eau potable</b>		
Niveau de dureté	1	1
Dureté totale	1,5 mmol/l (8,76 gpg)	1,5 mmol/l (8,76 gpg)
<b>Limites d'application</b>		
Pression max. admissible	0 psi	0 psi
<b>Détails</b>		
Matériau de l'habillage	ABS-FR	ABS-FR
Matériau isolant	Mousse en PU	Mousse en PU
Indice de protection (IP)	IP24	IP24
Type de construction	Ouvert	Ouvert
<b>Connexions</b>		
Raccordement électrique	Cordon de 1,8 m (6 pi.) avec prise de courant	Cordon de 1,8 m (6 pi.) avec prise de courant
<b>Dimensions</b>		
Hauteur	450 mm (17¾ po.)	450 mm (17¾ po.)
Largeur	200 mm (7⅞ po.)	200 mm (7⅞ po.)
Profondeur	146 mm (5¾ po.)	146 mm (5¾ po.)

## Environnement et recyclage

Merci de nous aider à protéger l'environnement en procédant au recyclage de l'emballage, conformément à la réglementation nationale en matière de traitement des déchets.

## 18. Garantie

### GARANTIE LIMITÉE

Sous réserve des termes et conditions énoncés dans la présente garantie limitée, Stiebel Eltron, Inc. (le « Fabricant ») garantit par la présente à l'acheteur initial (le « Propriétaire ») que chaque distributeur d'eau chaude instantanée UltraHot Plus (le « Distributeur ») ne fuira pas ou ne tombera pas en panne en raison de défauts de matériaux ou de fabrication du Fabricant pendant une période de trois (3) ans à compter de la date d'achat, ou que chaque distributeur d'eau chaude instantanée UltraHot Premium (le « Distributeur ») ne fuira pas ou ne tombera pas en panne en raison de défauts de matériaux ou de fabrication du Fabricant pendant une période de quatre (4) ans à compter de la date d'achat. Cette garantie sera nulle et non avenue si le distributeur est installé dans une application autre que celle à laquelle il est destiné :

UltraHot Plus : pour un usage résidentiel uniquement.

UltraHot Premium : pour un usage résidentiel et commercial léger défini comme des bureaux, des salles de pause, des salles de déjeuner, des installations publiques, des lieux de culte, etc.

Comme seul et unique recours du propriétaire en cas de violation de la garantie ci-dessus, le fabricant enverra, à sa discrétion, des pièces de rechange pour une réparation locale, récupérera l'appareil pour une réparation en usine ou remplacera le distributeur défectueux par un appareil de remplacement présentant des caractéristiques de fonctionnement comparables. La responsabilité maximale du Fabricant dans toutes les circonstances sera limitée au prix d'achat du Dispensateur par le Propriétaire.

Cette garantie limitée est la seule garantie offerte par le Fabricant et remplace toute autre garantie, expresse ou implicite, écrite ou orale, y compris, mais sans s'y limiter, les garanties de qualité marchande et d'adaptation à un usage particulier. Le Fabricant ne peut être tenu responsable des dommages ou dépenses accessoires, consécutifs ou éventuels découlant directement ou indirectement de tout défaut du Distributeur ou de l'utilisation du Distributeur. Le Fabricant ne sera pas responsable de tout dommage causé par l'eau ou de tout autre dommage à la propriété du Propriétaire résultant, directement ou indirectement, de tout défaut du Distributeur ou de l'utilisation du Distributeur. Le Fabricant est seul autorisé à faire toutes les garanties au nom du Fabricant et aucune déclaration, garantie ou caution faite par une autre partie ne liera le Fabricant.

Le Fabricant ne peut être tenu responsable de tout dommage, quel qu'il soit, lié à ou causé par :

1. toute mauvaise utilisation ou négligence du Dispensateur, tout accident du Dispensateur, toute modification du Dispensateur, ou toute autre utilisation non intentionnelle ;
2. les cas de force majeure et les circonstances sur lesquelles le

Fabricant n'a aucun contrôle ;

3. l'installation du Dispensateur autrement que selon les directives du Fabricant et autrement qu'en conformité avec les codes du bâtiment applicables ;
4. le défaut d'entretenir le Dispensateur ou de le faire fonctionner conformément aux spécifications du Fabricant ;
5. le fonctionnement du Dispensateur sous une pression d'eau fluctuante ou excessive ou dans le cas où le Dispensateur est alimenté par de l'eau non potable, quelle que soit la durée ;
6. une installation inadéquate et/ou des matériaux inadéquats utilisés par tout installateur et non liés à des défauts de pièces ou de fabrication du Fabricant ;
7. le déplacement du Dispensateur de son lieu d'installation initial ;
8. l'exposition à des conditions de gel ;
9. les problèmes de qualité de l'eau tels que l'eau corrosive, l'eau dure et l'eau contaminée par des polluants ou des additifs ;
10. le fait de ne pas alimenter l'appareil en eau de façon continue, c'est-à-dire de le faire fonctionner à sec.
11. l'installation d'un robinet ou d'une robinetterie incompatible

Si le propriétaire souhaite renvoyer le distributeur au fabricant pour réparation ou remplacement dans le cadre de cette garantie, il doit d'abord obtenir l'autorisation écrite du fabricant. Le propriétaire doit fournir une preuve d'achat, y compris une date d'achat, et il est responsable de tous les frais de transport et de déménagement. Si le Propriétaire ne peut pas prouver la date d'achat, cette garantie sera limitée à la période commençant à la date de fabrication estampillée sur le Distributeur. Le fabricant se réserve le droit de refuser la couverture de la garantie après examen du distributeur par le fabricant. Cette garantie est limitée au propriétaire et ne peut être cédée.

Certains États et provinces ne permettent pas l'exclusion ou la limitation de certaines garanties. Dans de tels cas, les limitations énoncées dans les présentes peuvent ne pas s'appliquer au Propriétaire. Dans de tels cas, la présente garantie sera limitée à la période la plus courte et aux montants de dommages les plus bas autorisés par la loi. Cette garantie vous donne des droits légaux spécifiques et vous pouvez également avoir d'autres droits qui varient d'un État à l'autre ou d'une province à l'autre.

Le propriétaire est responsable de tous les frais de main-d'œuvre et autres frais encourus pour le retrait ou la réparation du distributeur sur le terrain. Veuillez également noter que le distributeur doit être installé de manière à ce que, en cas de fuite, l'écoulement de l'eau provenant de cette fuite n'endommage pas la zone dans laquelle il est installé.

Cette garantie n'est valide que pour le Canada et les États-Unis. Les garanties varient en fonction du pays. Veuillez vous adresser à votre représentant local Stiebel Eltron pour plus de détails sur la garantie s'appliquant à votre pays.



---

NOTES | NOTAS | REMARQUES

---

---

NOTES | NOTAS | REMARQUES

---

## United States of America

STIEBEL ELTRON, Inc.  
17 West Street | West Hatfield, MA 01088  
Tel. 413.247.3380 | Fax 413.247.3369  
Toll-free 800.582.8423  
info@stiebel-eltron-usa.com  
www.stiebel-eltron-usa.com

## Austria

STIEBEL ELTRON Ges.m.b.H.  
Eferdinger Str. 73 | 4600 Wels  
Tel. 07242 47367-0 | Fax 07242 47367-42  
info@stiebel-eltron.at  
www.stiebel-eltron.at

## Belgium

STIEBEL ELTRON bvba/sprl  
't Hofveld 6 - D1 | 1702 Groot-Bijgaarden  
Tel. 02 42322-22 | Fax 02 42322-12  
info@stiebel-eltron.be  
www.stiebel-eltron.be

## Czech Republic

STIEBEL ELTRON spol. s r.o.  
K Hájem 946 | 155 00 Praha 5 - Stodůlky  
Tel. 251116-111 | Fax 235512-122  
info@stiebel-eltron.cz  
www.stiebel-eltron.cz

## Denmark

Pettinaroli A/S  
Mandal Allé 21 | 5500 Middelfart  
Tel. 06341 666-6 | Fax 06341 666-0  
info@pettinaroli.dk  
www.stiebel-eltron.dk

## Finland

Insinööritoimisto Olli Andersson Oy  
Kapinakuja 1 | 04600 Mäntsälä  
Tel. 020 720-9988 | Fax 020 720-9989  
info@stiebel-eltron.fi  
www.stiebel-eltron.fi

## France

STIEBEL ELTRON SAS  
7-9, rue des Selliers  
B.P 85107 | 57073 Metz-Cédex 3 Tel. 0387  
7438-88 | Fax 0387 7468-26  
info@stiebel-eltron.fr  
www.stiebel-eltron.fr

## Germany

STIEBEL ELTRON GmbH & Co. KG  
Dr.-Stiebel-Straße | 37603 Holzminden  
Tel. 05531 702-0 | Fax 05531 702-480  
info@stiebel-eltron.de  
www.stiebel-eltron.de

## Hungary

STIEBEL ELTRON Kft.  
Pacsirtamező u. 41 | 1036 Budapest Tel.  
01 250-6055 | Fax 01 368-8097  
info@stiebel-eltron.hu  
www.stiebel-eltron.hu

## Japan

NIHON STIEBEL Co. Ltd.  
Ebara building 3F  
2-9-3 Hamamatsu-cho  
Minato-Ku | 105-0013 Tokyo  
Tel. 03 34364662 | Fax 03 34594365  
info@nihonstiebel.co.jp  
www.nihonstiebel.co.jp

## Netherlands

STIEBEL ELTRON Nederland B.V.  
Daviottenweg 36  
5222 BH 's-Hertogenbosch  
Tel. 073 623-0000 | Fax 073 623-1141  
stiebel@stiebel-eltron.nl  
www.stiebel-eltron.nl

## Poland

STIEBEL ELTRON Polska Sp. z o.o. ul.  
Instalatorów 9 | 02-237 Warszawa Tel. 022  
60920-30 | Fax 022 60920-29  
stiebel@stiebel-eltron.com.pl  
www.stiebel-eltron.com.pl

## Russia

STIEBEL ELTRON LLC RUSSIA  
Urzhumskaya street 4,  
building 2 | 129343 Moscow  
Tel. 0495 7753889 | Fax 0495 7753887  
info@stiebel-eltron.ru  
www.stiebel-eltron.ru

## Slovakia

STIEBEL ELTRON Slovakia, s.r.o.  
Hlavná 1 | 058 01 Poprad  
Tel. 052 7127-125 | Fax 052 7127-148  
info@stiebel-eltron.sk  
www.stiebel-eltron.sk

## Sweden

STENERGY  
Vasagatan 14 | 545 30 Töreboda  
Sales:  
Tel. 0506 105-10 | info@stiebel-eltron.se  
Technique & Service:  
Tel. 0150 54200 | info@heatech.se  
www.stiebel-eltron.se

## Switzerland

STIEBEL ELTRON AG  
Netzibodenstr. 23 c | 4133 Pratteln  
Tel. 061 81693-33 | Fax 061 81693-44  
info@stiebel-eltron.ch  
www.stiebel-eltron.ch

## Thailand

STIEBEL ELTRON Asia Ltd.  
469 Moo 2 Tambol Klong-Jik  
Amphur Bangpa-In | 13160 Ayutthaya  
Tel. 035 220088 | Fax 035 221188  
info@stiebel-eltronasia.com  
www.stiebel-eltronasia.com

## United Kingdom and Ireland

STIEBEL ELTRON UK Ltd.  
Unit 12 Stadium Court  
Stadium Road | CH62 3RP Bromborough  
Tel. 0151 346-2300 | Fax 0151 334-2913  
info@stiebel-eltron.co.uk  
www.stiebel-eltron.co.uk

**STIEBEL ELTRON**



Irrtum und technische Änderungen vorbehalten! | Subject to errors and technical changes! | Sous réserve d'erreurs et de modifications techniques! | Onder voorbehoud van vergissingen en technische wijzigingen! | Salvo error o modificación técnica! | Rätt till misstag och tekniska ändringar förbehålls! | Excepto erro ou alteração técnica | Zastrzeżone zmiany techniczne i ewentualne błędy | Omyly a technické změny jsou vyhrazeny! | A muszáki változtatások és tévedések jogát fenntartjuk! | Отсутствие ошибок не гарантируется. Возможны технические изменения. | Chyby a technické zmeny sú vyhradené! Stand 8643