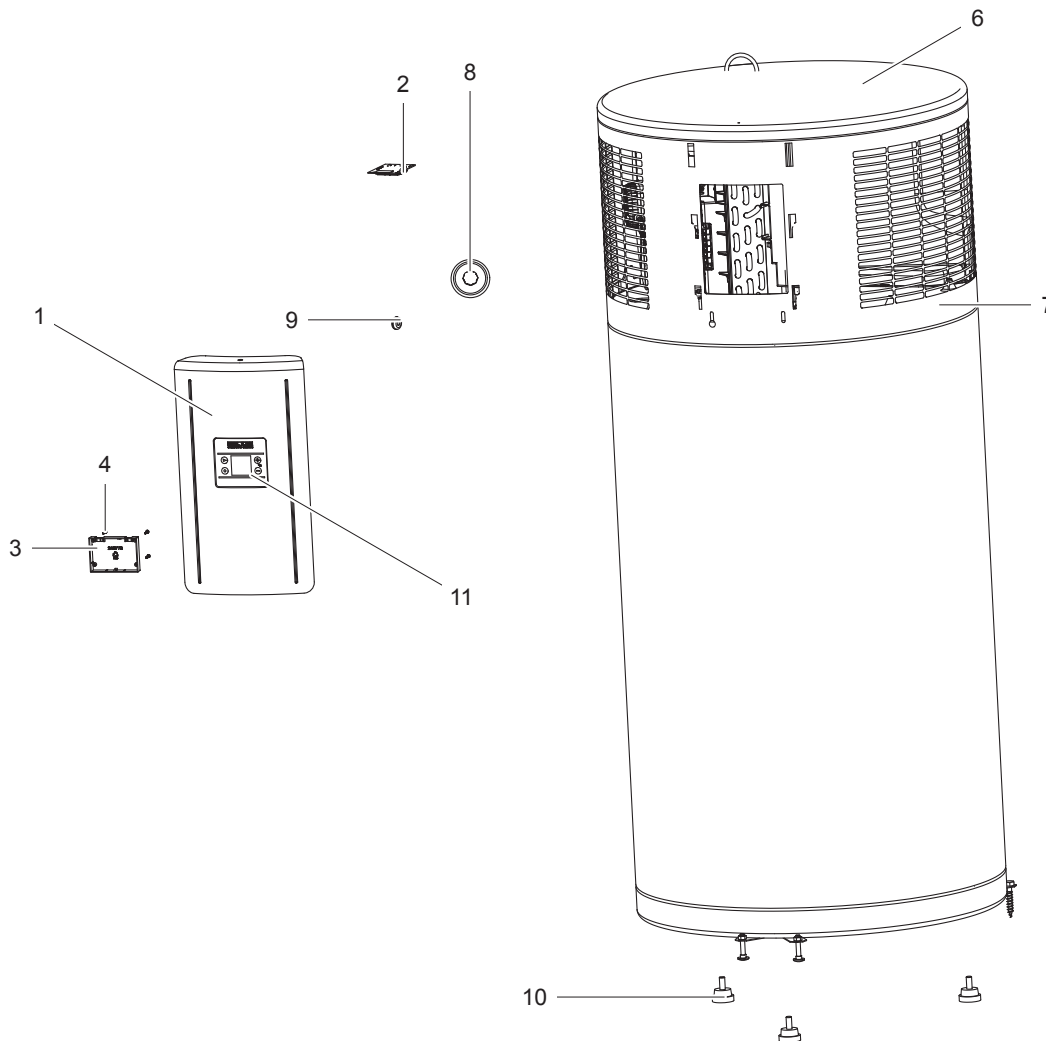


Accelera E (models 233058 & 233059)

No.	Part No.	Description
1	315679	Display assembly (date code 9070 and before)
1	320777	Display assembly (date code after 9070)
2	314969	Electronic display board (date code 9070 and before)
2	319347	Electronic display board (date code after 9070)
3	248778	Display board back cover
4	162079	Display board back cover screw (M4x12-10.9-T20-A2K)
6	313390	Top cover
7	313391	Side housing
9	293711	Top screw for display board (M4x12-10.9-T20-A2K)
10	291975	Tank feet



Accelera 220 E, 300 E
73 00215 01 / 001

Spare Parts List

Effective August 1, 2021

STIEBEL ELTRON

Simply the Best

Accelera E (models 233058 & 233059)

No.	Part No.	Description
1	313847	Compressor PPE 98
2	298374	Compressor klixon (overheat protection switch)
3	321639	Filter dryer (date code 9135 and before)
3	321639	Filter dryer (date code after 9135)
4	279961	Compressor base washer (24 x 6.4 x 2 mm)
5	298067	Expansion valve
6	168817	Check valve (date code 9135 and before)
6	321638	Check valve (date code after 9135)
8	298509	High pressure switch, 24 bar
9	045081	Schrader fill valve assembly
10	341378	Heating element assembly
11X	304076	Heating element assembly O-ring (44x3.5 mm EPDM)
12	294425	Electronic anode
12X	292712	Anode seal (14 x 8 x 4 mm)
12Y	305001	Anode connecting wire
14	297809	Heating element thermostat
15	295989	Heating element assembly cap
16	297323	Evaporator
16A	324251	Evaporator - coated
17	169386	Sidewall assembly screw
18	329304	Capacitor (20uF/450V)
21	315464	Fan/terminal block assembly (date code 9070 and before)
21	318056	Fan/terminal block assembly (date code after 9070)
22	082732	Frost monitor (-7/+3) (date code 9070 and before) [no longer
23	280613	X0 Terminal block
24	164123	X1 Terminal block (date code after 9070)
24	254402	X1 Terminal block (date code 9070 and before)
25	313355	EC Fan Motor, 24 W
26	297229	Axial fan 300/28°
27	280612	X3 Terminal block (date code after 9070)
28	294473	Air flow cowling
29	296981	Foam insulation for air flow cowling
31	314531	Defrost temperature sensor (date code after 9070)
33	296124	Refrigerant circuit isolation wall
36	010604	Cable grommet for side housing

rev.4.2022

