

CNS Trend & Plus Surface-Mounted Convection Heaters

Description

CNS Trend and Plus are a surface-mounted convection heaters that can be used as a replacement for traditional baseboard heaters or as a stand-alone heating system. The built-in thermostat can be used to control a single CNS or multiple CNS units can be placed strategically in larger spaces and their temperature settings adjusted individually. CNS Plus heaters feature a backlit digital thermostat/display. CNS heaters may be wired to use an existing wall-mounted thermostat. Two pins in the control casing can be used to fix the temperature controller at a setting or limit the temperature setting range. CNS frost protection setting will maintain a room above freezing temperature. Overheat protection is built into the unit. The external casing is Alpine White in color and is made from stove enameled sheet steel with plastic trim.

- › Thermostat built into unit
- › CNS Plus features backlit digital thermostat/display
- › Selectable temperature range from 45 °F – 86 °F
- › Draft free, silent operation
- › Frost protection setting
- › Three-year warranty



Applications

Ideal for:

- › Bathrooms
- › Bedrooms
- › Basements
- › Playrooms
- › Baseboard Heater Replacement
- › 3-Season Porches
- › Cabins
- › Mobile Homes
- › Offices

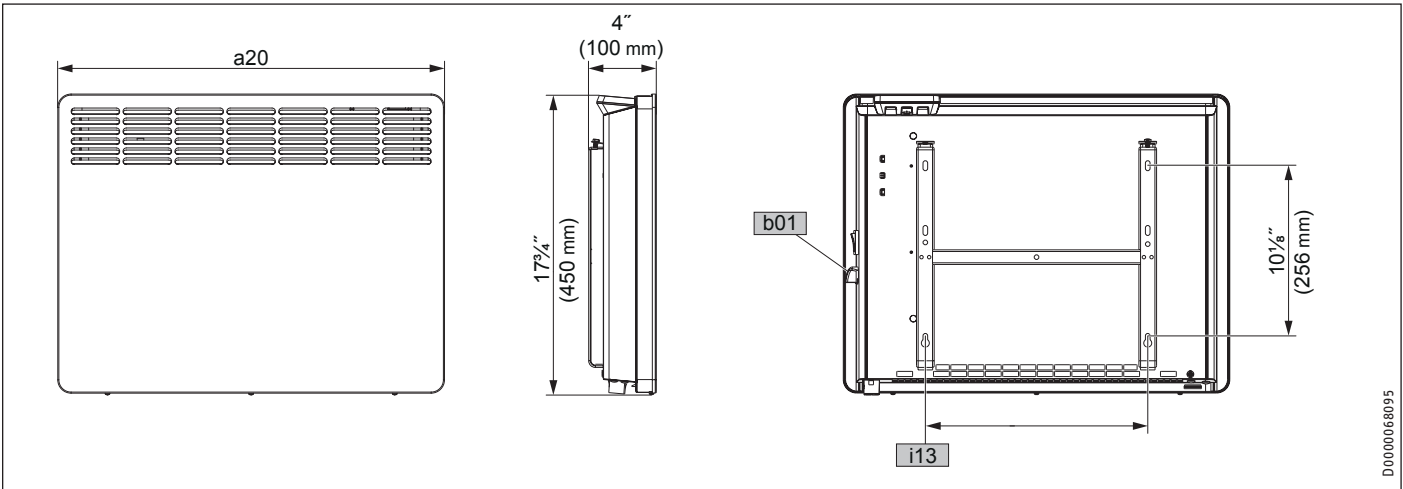
Specifications

Model	CNS 100-1 Trend	CNS 150-2 Trend	CNS 100-1 Plus	CNS 150-1 Plus	CNS 100-2 Plus	CNS 150-2 Plus	CNS 200-2 Plus	CNS 300-2 Plus
Item number	201991	201992	201994	201996	201997	201998	201999	202000
Voltage	120 v	240 v or 208 v	120 v	120 v	240 v or 208 v	240 v or 208 v	240 v or 208 v	240 v or 208 v
Wattage	1000 w	1500 w 1125 w	1000 w	1500 w	1000 w 750 w	1500 w 1125 w	2000 w 1500 w	3000 w 2250 w
Amperage	8.3 A	6.3 A 5.4 A	8.3 A	12.5 A	4.2 A 3.6 A	6.3 A 5.4 A	8.3 A 7.2 A	12.5 A 10.8 A
Btu/hr	3412	5118 3839	3412	5118	3412 2559	5118 3839	6824 5118	10236 7677
Electrical connection	Power cord with plug, hard-wired connection possible	Junction box, rear	Power cord with plug, hard-wired connection possible	Power cord with plug, hard-wired connection possible	Junction box, rear	Junction box, rear	Junction box, rear	Junction box, rear
Required circuit breaker size ¹	15 A	10 A	15 A	15 A	10 A	10 A	15 A	15 A
Required wire size (copper)	14 AWG	14 AWG	14 AWG	14 AWG	14 AWG	14 AWG	14 AWG	14 AWG
Temperature range	41 °F–86 °F (5 °C–30 °C)							
Frost protection setting	45 °F (7 °C)							
Height	17 ³ / ₄ " (450 mm)							
Width	16 ³ / ₄ " (426 mm)	22 ¹⁵ / ₁₆ " (582 mm)	16 ³ / ₄ " (426 mm)	22 ¹⁵ / ₁₆ " (582 mm)	16 ³ / ₄ " (426 mm)	22 ¹⁵ / ₁₆ " (582 mm)	29 ¹ / ₁₆ " (738 mm)	41 ⁵ / ₁₆ " (1050 mm)
Depth	3 ¹⁵ / ₁₆ " (100 mm)							
Weight	10.1 lb (4.6 kg)	13.2 lb (6.0 kg)	10.1 lb (4.6 kg)	13.2 lb (6.0 kg)	10.1 lb (4.6 kg)	13.2 lb (6.0 kg)	17.0 lb (7.7 kg)	24.0 lb (10.9 kg)
Room size estimate ²	100 sq.ft	150 sq.ft.	100 sq.ft	150 sq.ft.	100 sq.ft.	150 sq.ft.	200 sq.ft.	300 sq.ft.

¹ This is our recommendation as the manufacturer. Check local codes for compliance if necessary.

² Based on average insulation

Dimensions & clearances



		CNS 100-1 Trend CNS 100-1 Plus CNS 100-2 Plus	CNS 150-1 Plus CNS 150-2 Trend CNS 150-2 Plus	CNS 200-2 Plus	CNS 300-2 Plus
a20	Heater Width	16 3/4" (426 mm)	22 15/16" (582 mm)	29 1/16" (738 mm)	41 5/16" (1050 mm)
b01	Electrical cable entry				
i13	Wall mounting bracket Horizontal hole spacing	7 1/16" (179 mm)	13 3/16" (335 mm)	19 5/16" (491 mm)	31 5/8" (803 mm)



Conforms to ANSI/UL Std. 1278
Certified to CAN/CSA Std. 22.2 No. 46

ISO 9001
CERTIFIED

Specification

Contractor shall supply and install Stiebel Eltron CNS Trend or Plus electric heater(s) of the wattage and voltage specified on the plan. Heater(s) shall be surface-mounted fan-less convection type. Heater(s) shall have a body constructed of stove enameled sheet steel in Alpine White color. Heater(s) shall have a selectable temperature range of 41 °F to 86 °F (5 °C to 30 °C), and a frost protection setting which switches on the heating element automatically if the room temperature drops below the frost protection temperature of 45 °F (5 °C). CNS Plus models shall be equipped with an electronic backlit digital thermostat/display. Heater(s) shall be capable of control with either built-in thermostat or wired to an existing wall thermostat. Heater(s) shall be mounted with a minimum clearance from the finished floor and from the left and right sides of at least 4", a minimum clearance to the top of the heater of at least 10", and a minimum clearance to the back of the heater of at least 1". Heater(s) shall have an electrical cable entrance on the right side. Heater(s) shall be ETL listed to conform to ANSI/UL Std. 1278 and certified to CAN/CSA C22.2 No. 46.

Engineer/Architect _____	Date _____		
Job Name/Customer _____	Location _____		
Contractor _____	Representative _____		
Qty	W	Voltage	Amps
CNS Trend/Plus model _____	_____	_____	_____

rev. 8.2022 Due to our continuous process of engineering and technological advancement, specifications may change without notice.