

## UltraHot® Plus & Premium Instant Hot Water Dispensers

- › Instant piping-hot water available on demand without waiting
- › Easily replaces existing InSinkErator® instant hot water dispensers



› UltraHot Plus® 750 W, residential  
› UltraHot Premium®, 1440 W, light commercial/residential

### Features

- › Instant piping hot water available on demand without waiting
- › Convenient use for hot beverages, cooking, cleaning
- › Works as an alternative to replacing existing InSinkErator® instant hot water dispensers
- › Works with InSinkErator® instant hot water dispenser non-pressurized taps
- › Compatible Stiebel Eltron taps available as a separate item
- › Easy space-saving under-sink installation
- › Plugs into a standard 120-volt outlet
- › Patented system automatically senses and sets highest possible boiling temperature for any altitude
- › Temperature setting not required but can be easily adjusted as low as 149 °F if desired
- › Holds 2¾ quarts of near-boiling water
- › UltraHot Plus® is 750 W and draws just 6.25 amp. It dispenses 34 cups/hr of 203 °F hot water
- › UltraHot Premium® is 1440 W and draws only 12 amp. It dispenses 66 cups/hr of 203 °F hot water

### Applications

**Commercial › Industrial › Institutional**

- › Office buildings
- › Stores
- › Malls
- › Warehouses
- › Restaurants
- › Gas stations
- › Hotels / motels
- › Commercial condominiums
- › Manufacturing facilities

**Residential**

- › Kitchens
- › Cabins / cottages
- › Home office
- › Work areas

### Specification

The instant hot water dispenser shall be equipped with either a: 750 W (Plus) or 1440 W (Premium) tubular stainless steel heating element. The water connections shall be designed for push fit connectors (cold outlet) and 7/16" flex hose connectors (hot outlet). The unit shall be equipped with a 6 ft. cord with plug, digital display, and a patented boiling point detector that automatically determines boiling point, then reduces temperature by 9 °F (5 °C) to prevent boiling dry. The unit shall be such that the anti-drip feature prevents expanding water from escaping from the kitchen faucet while being heated. The unit shall be such that suitable non-pressurized hot water faucets can be used to draw hot water from the appliance. The unit shall conform to UL Std. 499, be certified to CAN/CSA 22.2 No. 64, and be certified by WQA against NSF/ANSI/CAN 372 for lead-free compliance.

Engineer/Architect _____	Date _____			
Job Name/Customer _____	Location _____			
Contractor _____	Representative _____			
Qty	Wattage	Voltage	Amps	GPM
UltraHot® model _____	_____	_____	_____	_____

rev. 12.2024. Due to our continuous process of engineering and technological advancement, specifications may change without notice.

# Specifications

Model	UltraHot Plus®	UltraHot Premium®
Item number	203876	203877
Phase - 50/60 Hz	Single	
Voltage	120 V	
Wattage	750 W	1440 W
Amperage	6.25 A	12 A
Electrical connection	Factory-installed 6 ft. (1.8 m) power cord with plug, hard-wiring optional	Factory-installed 6 ft. (1.8 m) power cord with plug, hard-wiring optional
Recommended circuit breaker size <sup>1</sup>	10 A	15 A
Warranty	3 years	4 years
Rated capacity	0.7 gal (2.6 l)	
Max. flow rate, hot water	0.66 gpm (2.5 l/min)	
Max. permissible pressure, outlet side	0 psi (0 bar)	
Temperature range	149–203 °F (65–95 °C)	
User interface	Illuminated LCD display	
Dimensions	<b>H</b> 17 <sup>3</sup> / <sub>4</sub> " (450 mm) x <b>W</b> 7 <sup>7</sup> / <sub>8</sub> " (200 mm) x <b>D</b> 5 <sup>3</sup> / <sub>4</sub> " (146 mm)	
Weight	8.0 lb (3.6 kg)	
Frost protection setting	45 °F (7 °C)	



UltraHot Plus®



UltraHot Premium®

<sup>1</sup> This is our recommendation as the manufacturer. Check local codes for compliance if necessary.



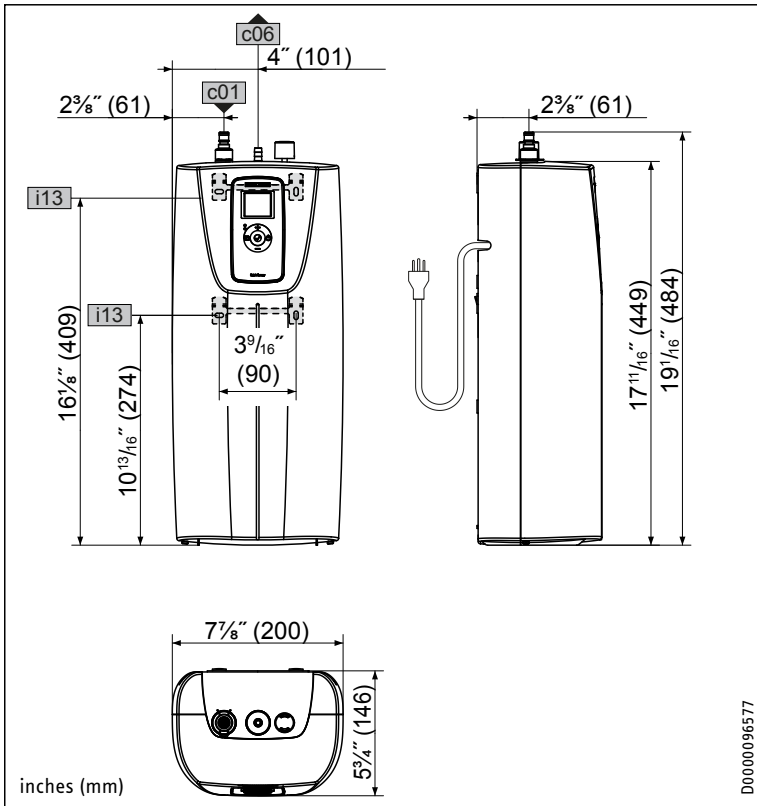
Conforms to UL Std. 499  
Certified to CAN/CSA Std. 22.2 No. 64



Tested and certified by WQA to NSF/ANSI/CAN 372 for lead free compliance.



# Dimensions



	UltraHot® Plus/Premium
c01	Cold water supply Connectors
c06	Hot water outlet Nozzle
i13	Wall mounting bracket 2 positions possible

D0000096577