

A black and white photograph showing three workers on a roof installing solar panels. The workers are dressed in work clothes and jackets. One worker is in the foreground, another is in the middle ground, and a third is in the background. They are working together to position a large solar panel. The roof has a corrugated metal structure. A green semi-transparent box is overlaid on the left side of the image, containing text.

## Stiebel Eltron Renewables

Solar Hot Water Systems  
Heat Pump Water Heaters

Retail Price List 2017.1

**STIEBEL ELTRON**

Simply the Best

# Table of Contents

<b>Residential Solar Kit</b> _____	<b>3</b>	<b>Pump stations</b> _____	<b>19</b>
SOLKit 1 _____	3	SE pump stations with Wilo 3-speed circulators _____	19
SOLKit 2 _____	4	SE Flowstar pump station kit _____	20
SOLKit 3 _____	5	Pump station accessories _____	21
<b>Wide Residential Solar Kits</b> _____	<b>6</b>	<b>Heat transfer fluid</b> _____	<b>21</b>
SOLKit 2W _____	6	Propylene glycol _____	21
SOLKit 3W _____	6	<b>Flexible solar lineset</b> _____	<b>22</b>
<b>Solar Collectors</b> _____	<b>7</b>	SOL-FLEX flexible stainless steel lineset _____	22
SOL 27 Premium Collectors _____	7	<b>Expansion tanks</b> _____	<b>23</b>
<b>Connectors</b> _____	<b>8</b>	Solar-rated expansion tanks _____	23
Sol 27 Premium Connectors _____	8	Pre-cooling vessels _____	23
<b>Racking Components</b> _____	<b>9</b>	<b>System controllers</b> _____	<b>24</b>
SOL 27 Premium mounting hardware _____	9	Basic differential controllers _____	24
Vertical tilt racks _____	10	Controller accessories _____	27
Horizontal tilt racks _____	11	<b>Pipe insulation</b> _____	<b>28</b>
Flush mount rail kits _____	13	<b>Replacement Parts for Solar Components</b> _____	<b>29</b>
<b>Roof-mounting components</b> _____	<b>15</b>	<b>Heat Pump Water Heaters</b> _____	<b>31</b>
Quik-foot roof mount flashing kits _____	15	Accelera® E Heat Pump Water Heaters _____	31
S-5 raised-seam roof mounting _____	15	<b>Tankless Electric Water Heaters</b> _____	<b>32</b>
<b>Solar storage tanks</b> _____	<b>16</b>	Mini™ Point-of-use Tankless Electric Water Heaters _____	32
SB E domestic hot water storage tanks with electric backup _____	16	DHC Point-of-use Tankless Electric Water Heaters _____	32
SBB Plus domestic hot water storage tanks _____	17	DHC-E Point-of-use Tankless Electric Water Heaters _____	33
SBB storage tank accessories _____	18	Temptra® Whole-house Tankless Electric Water Heaters _____	33
		<b>Concise Price List</b> _____	<b>35</b>

Renewables Department Team	Title	Email	Direct phone
Chris Wetherby	Department Head	chris.wetherby@stiebel-eltron-usa.com	413.349.4924
Donavin Gratz	Sales, tech. support & system design	donavin.gratz@stiebel-eltron-usa.com	413.239.3098
Ernie Wilson	Sales, tech. support & system design	ernie.wilson@stiebel-eltron-usa.com	413.349.4919
Michael Dion	Sales, tech. support & system design	mike.dion@stiebel-eltron-usa.com	413.349.4918
Chirag Patel	Order processing & purchasing	chirag.patel@stiebel-eltron-usa.com	413.349.4920

## Residential Solar Kit

Stiebel Eltron residential solar kits are configured to suit the needs of many different household sizes. No matter the climate zone, there is a solar kit that will fit the customer's budget and lifestyle. Use the following pages to find the right kit. If the available options don't seem right, contact us and we can design a custom system for any residence or commercial application.

### SOLKit 1

- › Collectors and racks made in the USA
- › Tank comes with built-in electric backup for all-in-one solution
- › 10 year warranty on collectors, racks & tanks

Part #:	612501
1 - SOL 27 Premium S Collector	✓
Flush Mount Kit for Asphalt Roof	✓
SOL-FLEX Stainless Steel Lineset (50 ft.)	✓
SB 300 E Storage Tank	✓
SE Flowstar Pump Station Kit	✓
SOM 6 Plus Solar Controller	✓
Propylene Glycol (10 gal.)	✓
MSRP:	\$6,280

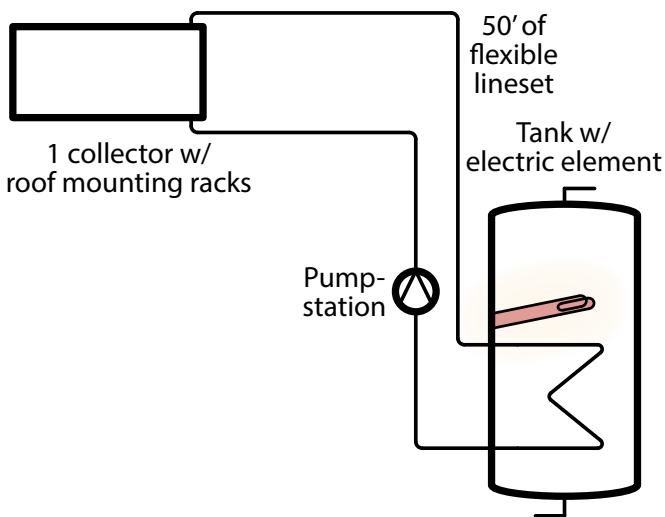
Optional Add-on Parts:	Part #	MSRP*
Pre-cooling Vessel	560012	\$95
SOM 7 Plus Controller	230142	\$103
DL2 Datalogger w/ SolarWave	560005	\$475
Electronic Anode Kit	570300	\$476
Propylene Glycol (5 gal.)	074200	\$139

Alternative Racking:	MSRP*
Raised Seam Roof Kit	-\$60
45° Tilt Racking	\$429
30-60° Tilt Racking	\$449

\*Price indicates additional MSRP over the original included part



SOLkit 1 is designed for a 1-2 person household anywhere in the contiguous United States. This is designed to offset a moderate amount of conventional fuel usage to heat domestic hot water (DHW). 80 gallons of storage facilitates the efficient transfer of energy out of the collectors.



# Residential Solar Kit

## SOLKit 2

- › Collectors and racks made in the USA
- › Tank comes with built-in electric backup for all-in-one solution
- › 10 year warranty on collectors, racks & tanks

Part #:	612502
2 - SOL 27 Premium S Collector	✓
Flush Mount Kit for Asphalt Roof	✓
SOL-FLEX Stainless Steel Lineset (50 ft.)	✓
SB 300 E Storage Tank	✓
SE Flowstar Pump Station Kit	✓
SOM 6 Plus Solar Controller	✓
Propylene Glycol (10 gal.)	✓
MSRP:	\$7,870

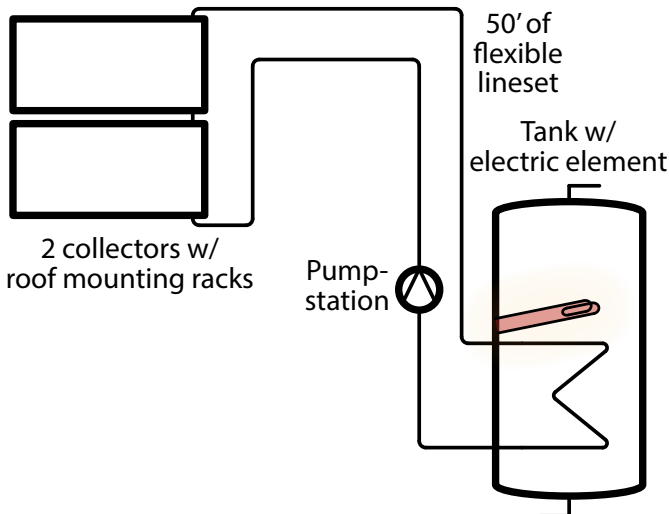
Optional Add-on Parts:	Part #	MSRP*
Pre-cooling Vessel	560012	\$95
SOM 7 Plus Controller	230142	\$103
DL2 Datalogger w/ SolarWave	560005	\$475
Electronic Anode Kit	570300	\$476
Propylene Glycol (5 gal.)	074200	\$139

Alternative Racking:	MSRP*
Raised Seam Roof Kit	-\$90
45° Tilt Racking	\$379
30-60° Tilt Racking	\$399

\*Price indicates **additional** MSRP over the original included part



Stiebel Eltron SOLkit 2 is designed for a 2-3 person household anywhere in the contiguous United States. This is designed to offset a majority of conventional fuel usage to heat domestic hot water (DHW). 80 gallons of storage allows for the extraction of every bit of energy out of the collectors.



## SOLKit 3

- › Collectors and racks made in the USA
- › Tank comes with built-in electric backup for all-in-one solution
- › 10 year warranty on collectors, racks & tanks

Part #:	612503
3 - SOL 27 Premium S Collector	✓
Flush Mount Kit for Asphalt Roof	✓
SOL-FLEX Stainless Steel Lineset (50 ft.)	✓
SB 400 E Storage Tank	✓
SE Flowstar Pump Station Kit	✓
SOM 6 Plus Solar Controller	✓
Propylene Glycol (10 gal.)	✓
MSRP:	\$9,612

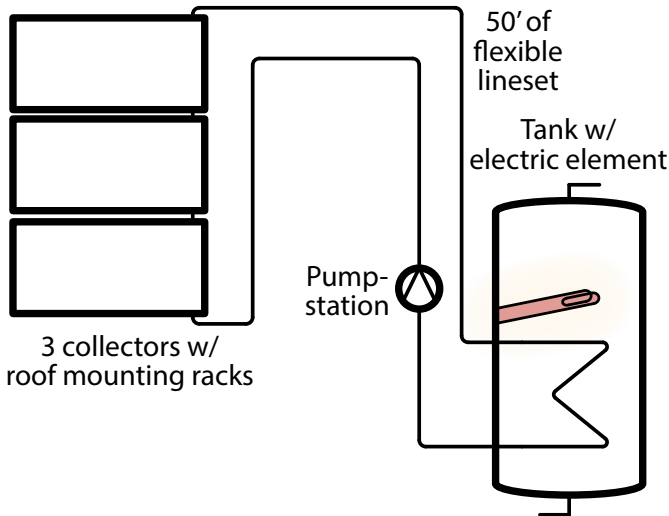
Optional Add-on Parts:	Part #	MSRP*
Pre-cooling Vessel	560012	\$95
SOM 7 Plus Controller	230142	\$103
DL2 Datalogger w/ SolarWave	560005	\$475
Electronic Anode Kit	570300	\$476
Propylene Glycol (5 gal.)	074200	\$139

Alternative Racking:	MSRP*
Raised Seam Roof Kit	-\$120
45° Tilt Racking	\$566
30-60° Tilt Racking	\$606

\*Price indicates **additional** MSRP over the original included part



Stiebel Eltron SOLkit 3 is designed for a 3-4 person household anywhere in the contiguous United States. This is designed to offset a significant amount of conventional fuel usage to heat domestic hot water (DHW). 105 gallons of storage allows for the extraction of every bit of energy out of the collectors.



## Wide Residential Solar Kits

### SOLKit 2W

Part #:	612512
2 - SOL 27 Premium W Collector	✓
Flush Mount Kit for Asphalt Roof	✓
SOL-FLEX Stainless Steel Lineset (50 ft.)	✓
SB 300 E Storage Tank	✓
SE Flowstar Pump Station Kit	✓
SOM 6 Plus Solar Controller	✓
Propylene Glycol (10 gal.)	✓
MSRP:	\$8,035

### SOLKit 3W

Part #:	612513
3 - SOL 27 Premium W Collector	✓
Flush Mount Kit for Asphalt Roof	✓
SOL-FLEX Stainless Steel Lineset (50 ft.)	✓
SB 400 E Storage Tank	✓
SE Flowstar Pump Station Kit	✓
SOM 6 Plus Solar Controller	✓
Propylene Glycol (10 gal.)	✓
MSRP:	\$10,100

Optional Add-on Parts:	Part #	MSRP*
Pre-cooling Vessel	560012	\$95
SOM 7 Plus Controller	230142	\$103
DL2 Datalogger w/ SolarWave	560005	\$475
Electronic Anode Kit	570300	\$476
Propylene Glycol (5 gal.)	074200	\$139

Alternative Racking:	SOLKit 2W	SOLKit 3W
Raised Seam Roof Kit	-\$96	-\$144
45° Tilt Racking	\$332	\$498
30-60° Tilt Racking	\$344	\$516

\*Price indicates **additional** MSRP over the original included part



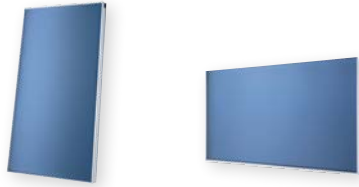
Stiebel Eltron SOLkit 3 is designed for a 3-4 person household anywhere in the contiguous United States. This is designed to offset a significant amount of conventional fuel usage to heat domestic hot water (DHW). 105 gallons of storage allows for the extraction of every bit of energy out of the collectors.



**Solar Collectors**

**SOL 27 Premium Collectors**

- > OG-100 rated by the Solar Rating & Certification Corporation
- > Aluminum absorber with copper fluid tubes
- > Highly selective absorber plate coating
- > Low profile at 3" thickness
- > Low-iron tempered solar glass
- > 10 year warranty
- > Made in the USA



SOL 27 Premium S      SOL 27 Premium W

Part #	230016-USA	230017-USA
Total surface area	27.34 ft <sup>2</sup>	
Absorber area	25.62 ft <sup>2</sup>	
Collector connections	3/4" BSPP or 3/4" copper sweat	
Dimensions	85.5" x 46.1" x 3.8"	
Weight	88.2 lb	
MSRP:	\$1,249	\$1,249



SOL 27 Premium S



**OG-100 Ratings**

OG-100 Rating (kBTU/day)	SOL 27 Premium S	SOL 27 Premium W
High radiation C	30.4	31.3
Medium radiation C	21.2	21.8
Low radiation C	12.1	12.3

**Notes:** When ordering SOL 27 Premium S, you must order 4 extra clips [S267510] per collector in mounting applications subject to wind load. These clips are provided free of charge.

A \$125.00 crating charge applies to a freight shipment of 1-5 collectors.

\$150.00 crating charge for 6 or more collectors.

SOL 27 Premium collectors are also available in black anodized for architectural applications. For availability and more information, call or email the renewables department.

## Connectors

### Sol 27 Premium Connectors

These connectors are designed to be quick to install with no tools necessary. Their rugged construction and redundant quad o-ring seal ensures a long-lasting, leak-free seal.



	Inlet/outlet connectors	Single connector	Inter-panel connector
Part #	230913	231683	230185
Material	316 stainless steel		
Connection to collector	Quad o-ring seal		
Connection to piping	3/4" BSPP male or 3/4" copper sweat		N/A
Description	1 inlet & 1 outlet connector for a solar array. The outlet connector comes with a temperature sensor.	1 inlet or outlet connector without a temperature sensor.	1 inter-panel connector for connecting collectors to each other.
MSRP	\$150	\$65	\$50



	Inlet/outlet connectors	Single connector	Brass sweat adapter
Part #	230186	230187	600185
Material	316 stainless steel		Brass
Connection to collector	Quad o-ring seal		
Connection to piping	3/4" BSPP male or 3/4" copper sweat	N/A	3/4" or 1"
Description	1 inlet & 1 outlet connector for a solar array. The outlet connector comes with a temperature sensor. Also includes 3' flexible hose.	1 flexible inter-panel connector for custom connections between two collectors.	This brass sweat adapter fits onto the quad O-ring connection of the SOL 27 connectors and adapts to 3/4" or 1" copper pipe.
MSRP:	\$204	\$75	\$25

**Note:** One connector with a sensor well must be included per system. Either [230913] or [230186] will be sufficient.

#### Required connector quantities

Part #	Solar Array Size			
	1 collector	2 collectors	3 collectors	4 collectors
230913	1	1	1	1
230185	0	1	2	3



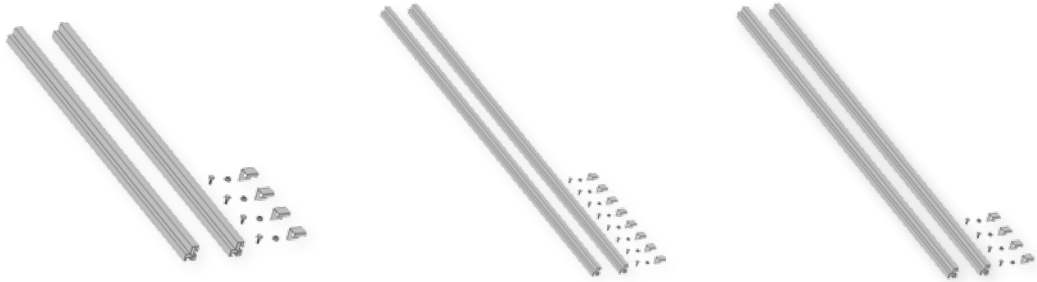
Inter-panel connector [230185] between 2 SOL 27 Premium collectors



## Racking Components

### SOL 27 Premium mounting hardware

These aluminum mounting kits are designed to secure to SOL 27 Premium collectors and allow them to secure to Stiebel Eltron racking systems, or third party racking systems.

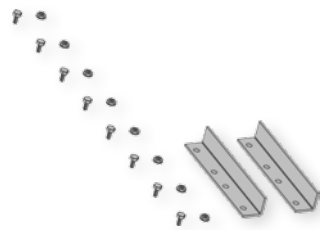


	Single mounting frame (short)	Double mounting frame	Single mounting frame (wide)
Part #	230169	230170	230920
Material	6061 Aluminum		
Length	47"	95"	87"
Description	Mounting frame for 1 SOL 27 Premium collector in vertical orientation.	Mounting frame for 2 SOL 27 Premium collectors in vertical orientation.	Mounting frame for 1 SOL 27 Premium collector in horizontal orientation.
Kit includes	2 mounting frames, 4 fastening clips, 4 M10 bolts & nuts	2 mounting frames, 8 fastening clips, 8 M10 bolts & nuts	2 mounting frames, 4 fastening clips, 4 M10 bolts & nuts
MSRP:	\$83	\$133	\$122

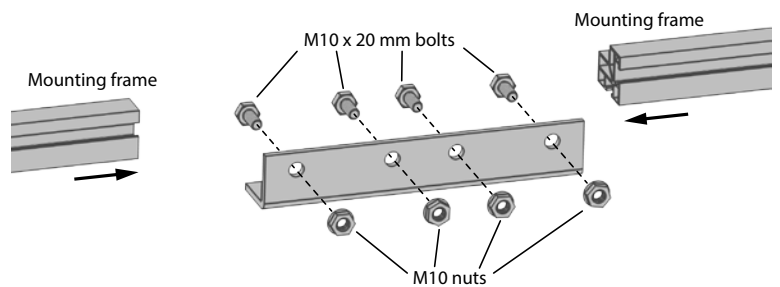
**Note:** Mounting Hardware is to be used in conjunction with tilt and flush mount racks. Use with these racks: [560101], [560102], [560201], [560203], [560104] & [560106].

### Frame connector kit

The heavy duty aluminum frame connecting splices easily and securely connect two SOL 27 Premium mounting frames together.



	Frame connector kit
Part #	SFC 001
Description	Frame connector kit for connecting 2 mounting frames together.
Kit includes	2 frame connecting splices, 8 M10 bolts & nuts
MSRP:	\$64

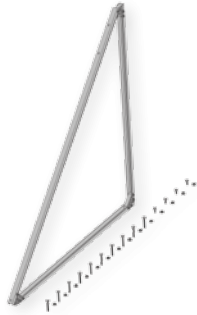


The frame connector kit is easy to assemble, with only four bolts per frame connection.

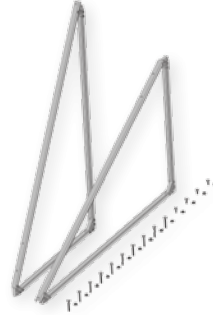
# Racking Components

## Vertical tilt racks

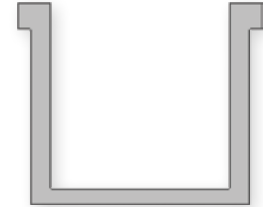
These aluminum racks are made in the USA and are designed to endure harsh conditions anywhere. The U-channel rails are rigid, and are constructed from 6061 aluminum with a T6 temper and anodized with a clear finish.



Vertical 45° rack



Vertical 30-60° rack

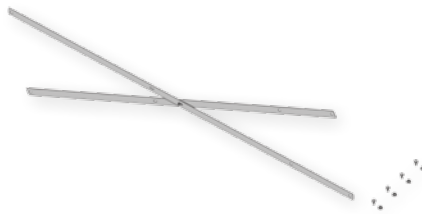


U-shaped extrusion is designed to maintain rigidity and strength in adverse conditions.

Part #	560101	560102
Description	Tilt rack used for mounting SOL 27 Premium collectors in portrait orientation at an angle of 45°.	Tilt rack used for mounting SOL 27 Premium collectors in portrait orientation at an angle of 60 or 30°.
Kit includes	3 U-channel rails, 3 tilt brackets, 14 M10 bolts & nuts	3 U-channel rails, 3 tilt brackets, 14 M10 bolts & nuts
MSRP:	\$294	\$251

**Note:** Tilt racks are to be used in conjunction with SOL 27 Premium mounting frames.  
Use with these frames: [230169], [230170] & [230920].

## Vertical X-brace



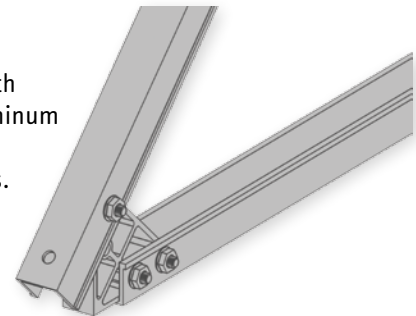
Vertical X-brace

Part #	560106
Description	X-Brace kit provides cross-bracing for 2 vertical tilt racks.
Kit includes	2 cross-brace pieces, 1 M6 bolt nut, 4 M10 bolts & nuts
MSRP:	\$60

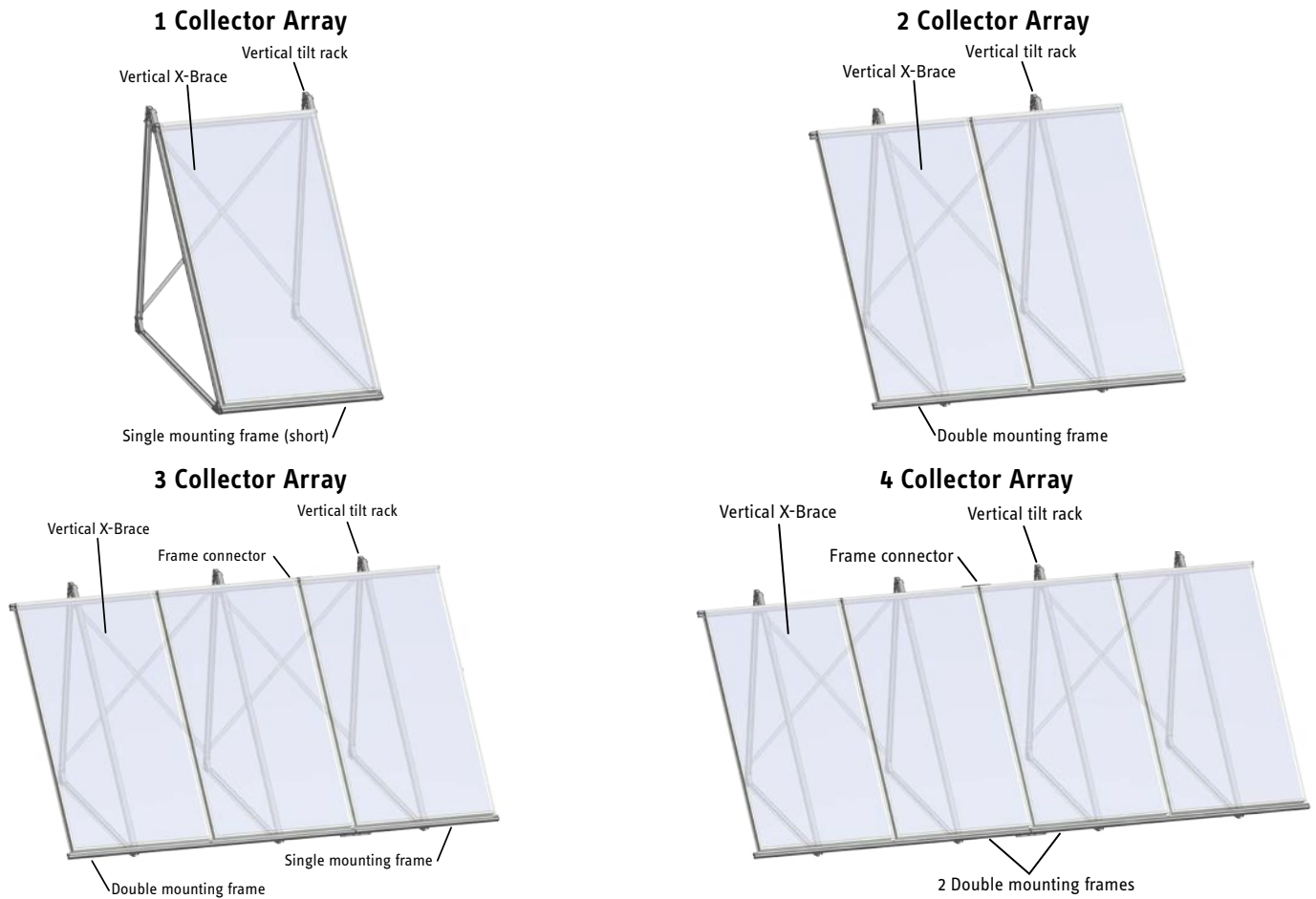
## Vertical rack configurations

	Solar array size			
	1	2	3	4
	# of parts needed			
Vertical tilt racks	2	2	3	4
Vertical X-Brace	1	1	2	2
Frame connector kit	0	0	1	1
Single mounting frame (short)	1	0	1	0
Double mounting frame	0	1	1	2

Tilt racks are constructed with Aluminum U-channels, aluminum tilt connectors, and stainless steel bolts and nuts.



## Array configuration

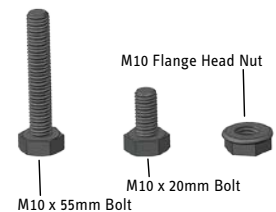


**Note:** For a single vertical collector, use 2 vertical tilt racks and 1 vertical X-Brace.  
For arrays of 2 or more vertical collectors, use 1 vertical tilt rack per collector, and 2 vertical X-Braces for arrays of 3 or 4 vertical collectors.

## Horizontal tilt racks



	Horizontal 45° rack	Horizontal 30-60° rack
Part #	560201	560203
Description	Tilt rack used for mounting 1 SOL 27 Premium collector in landscape orientation at an angle of 45°.	Tilt rack used for mounting SOL 27 Premium collectors in landscape orientation at an angle of 60 or 30°.
Kit includes	3 U-channel rails, 3 tilt brackets, 14 M10 bolts & nuts	3 U-channel rails, 3 tilt brackets, 14 M10 bolts & nuts
MSRP:	\$177	\$177

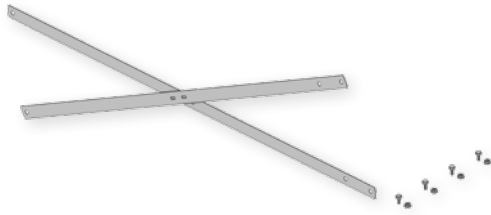


**Tilt racking hardware** These aluminum racks are made in the USA and are designed to endure harsh conditions anywhere. The U-channel rails are rigid, and are constructed from 6061 aluminum with a T6 temper and anodized with a clear finish. The bolts and nuts are made of 316L stainless steel.

**Note:** Tilt racks are to be used in conjunction with SOL 27 Premium mounting frames. Use with frames [230920].

# Racking Components

## Horizontal X-brace



Horizontal X-brace

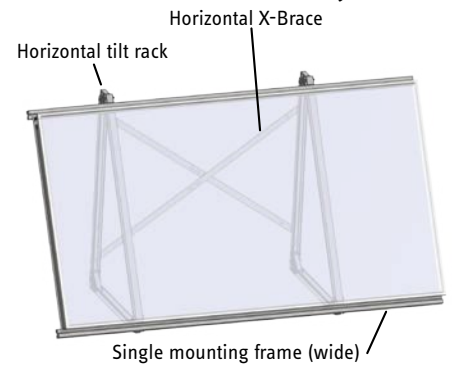
Part #	560206
Description	X-Brace kit provides cross-bracing for 2 horizontal tilt racks.
Kit includes	2 cross-brace pieces, 1 M6 bolt nut, 4 M10 bolts & nuts
MSRP:	\$140

### Horizontal rack configuration

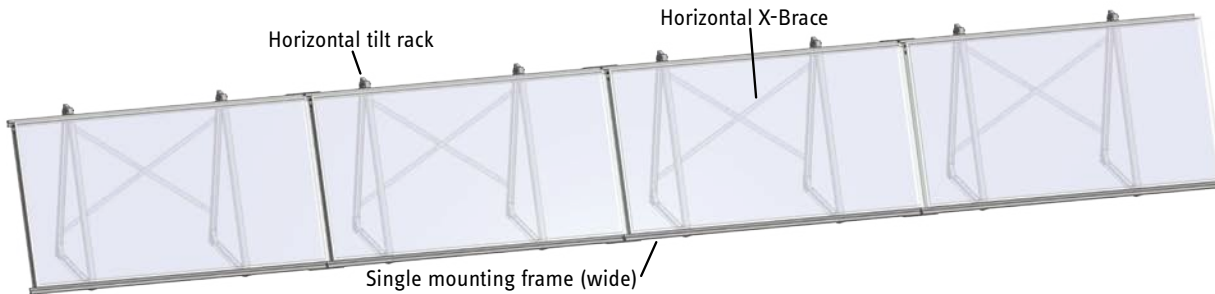
	Solar array size			
	1	2	3	4
	# of parts needed			
Horizontal tilt racks	2	4	6	8
Vertical X-Brace	1	2	3	4
Frame connector kit	0	1	2	3
Single mounting frame (wide)	1	2	3	4

**Note:** For a single horizontal collector, use 2 horizontal tilt racks and 1 horizontal X-Brace. For arrays of 2 or more horizontal collectors, multiply the amounts for 1 collector by the number of panels in the array.

### 1 Collector Array

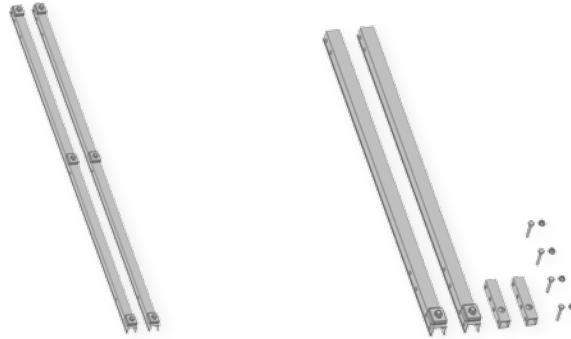


### 4 Collector Array



## Flush mount rail kits

These kits are specially designed to speed up installation time by eliminating the need for mounting frames. Rivet nuts are pressed into the aluminum U-channel so all that is needed to tighten the clips is a ratchet. The fluid flows up the rake of the roof, promoting ideal emptying behavior when the collectors are in stagnation. This helps to preserve the life of the solar fluid.



2 Collector Flush Mount Rail Kit      Extension Rail Kit

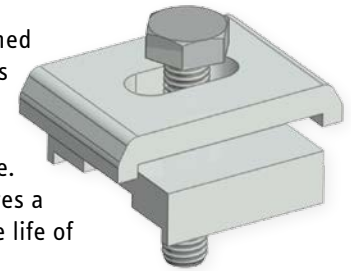
Part #	560401	560402
Description	Kit is for 2 SOL 27 Premium S collectors mounted in a landscape orientation.	Kit is for adding a 3rd and 4th collector to the 2 collector flush mount kit.
Kit includes	2 flush mount rails & 6 fastening brackets	2 extension rails, 2 fastening brackets, 2 rail splices, 4 M10 bolts & nuts
MSRP:	\$265	\$155

**Note:** For asphalt shingled roofs, use only L-bracket flashing kits [560105L].

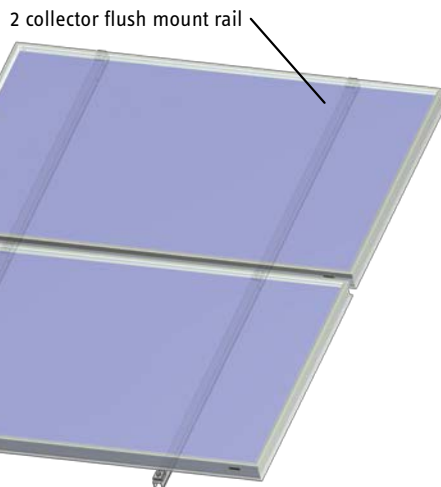
### Flush mount rack configurations

	Solar array size		
	2	3	4
	# of parts needed		
2 collector flush mount rail kit	1	1	1
Extension rail kit	0	1	2

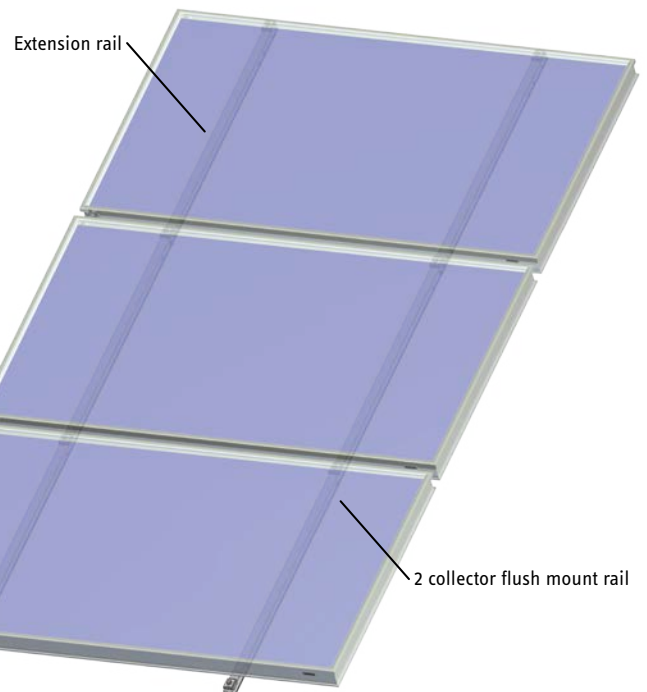
The completely re-designed fastening bracket reduces installation times and ensures the collectors are held securely in place. The rugged design ensures a secure connection for the life of the system.



### 2 Collector Array



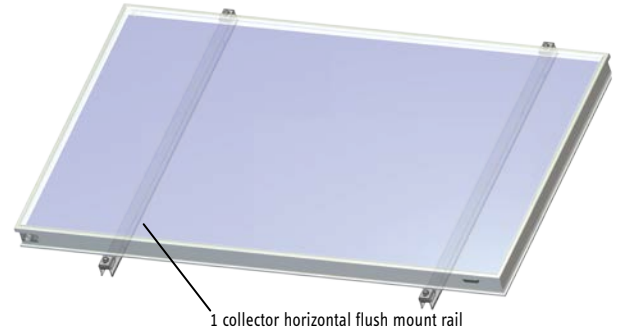
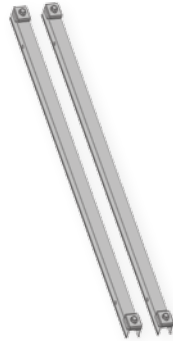
### 3 Collector Array



# Racking Components

## Horizontal flush mount rail kit

This kit operates in a similar way to the flush mount kits, but is designed for collector layouts along the eave of a roof instead of up one. The rugged fastening brackets are easily installed.



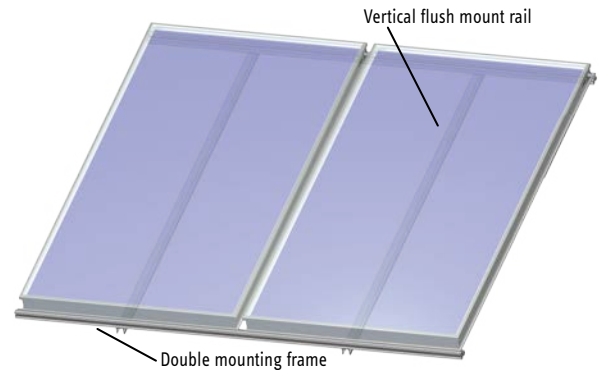
Horizontal Flush Mount Rail Kit

Part #	560403
Description	Kit is for 1 SOL 27 Premium collector mounted in a landscape orientation. A multiple collector array is can be configured side-by-side. The collector can be either a SOL 27 Premium S or W depending on the flow scheme.
Kit includes	2 flush mount rails & 4 fastening brackets
MSRP:	\$170

**Note:** For asphalt shingled roofs, use only L-bracket flashing kits [560105L].

## Vertical flush mount rails

This rail is intended to be installed with SOL 27 Premium mounting frames. The U-channel rail comes pre-drilled for easy mounting to the roof hardware and to the collectors.



Vertical Flush Mount Rail

Part #	560104-27
Description	These rails are for mounting SOL 27 Premium collectors flush to a roof. They are designed to work with mounting frames and collectors in a portrait orientation.
Includes	1 flush mount rail
MSRP:	\$70

### Vertical flush mount configurations

	Solar array size			
	1	2	3	4
	# of parts needed			
Vertical flush mount rail	2	2	3	4
Single mounting frame (short)	1	0	1	0
Double mounting frame	0	1	1	2
Frame connector kit	0	0	1	1

## Roof-mounting components

### Quik-foot roof mount flashing kits

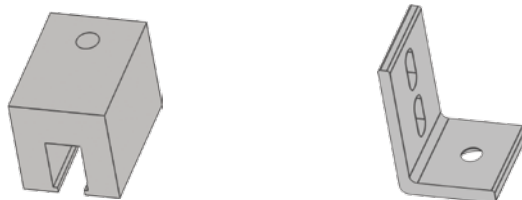
These kits are designed to be installed on most shingle roofs. No modifications need to be made to the roof for installation. They meet or exceed all known building codes and are tested for pull-out and shear.



	L-Bracket Flashing Kit	SQL-Bracket Flashing Kit	SQ-Bracket Flashing Kit	Z-Bracket Flashing Kit
Part #	560105L	560105SQL	560105SQ	560105Z
Description	Flashing sheet with aluminum L-shaped bracket for fastening to the solar racking system.	Flashing sheet with aluminum L-shaped and square bracket for extra clearance in flush mount situations.	Flashing sheet with aluminum square bracket for low-clearance in a tilt rack systems.	Flashing sheet with aluminum Z-shaped bracket for extra clearance in tilt rack systems.
Kit includes	Flashing sheet, L-Bracket & all required bolts & nuts	Flashing sheet, SQ & L-Brackets & all required bolts & nuts	Flashing sheet, SQ-Bracket & all required bolts & nuts	Flashing sheet, Z-Bracket & all required bolts & nuts
Applications	Flush mount	Flush mount (with extra clearance needed)	Tilt racks	Tilt racks (with extra clearance needed)
MSRP:	\$46	\$51	\$43	\$50

### Raised-seam roof mounting

The design of the ASG-U2 clamp allows a solar array to be mounted on most raised-seam roof profiles. Its simple design and multiple hole locations make it versatile and easy to use.



	ASG-U2 Clamp	L-Bracket
Part #	S5U	S560254
Description	Universal fastening bracket for most raised-seam roof applications.	L-Bracket attaches to S-5-U clamp for use with flush mount racking.
Includes	ASG-U2 clamp and set screws	L-Bracket
Applications	All mounting situations.	Add to the S-5-U clamp if using in flush mount situations.
MSRP:	\$22	\$12

### Roof-mounting hardware quantities

Use this chart to figure out the quantities needed to mount certain racking styles to a roof. The quantities will be the same for either raised-seam hardware or asphalt roof hardware.

	Solar array size			
	1	2	3	4
	# of parts needed			
Vertical tilt racks	4	4	6	8
Horizontal tilt racks	4	8	12	16
Flush mount rail kits	n/a	6	8	10
Horizontal flush mount rails	4	8	12	16
Vertical flush mount rails	4	4	6	8

## Solar storage tanks

### SB E domestic hot water storage tanks with electric backup

These storage tanks are rugged and designed for a long service life. The vessel is constructed from heavy gauge steel and porcelain enamel coated. 2" of foam insulation ensures low standby loss. The anode rod is replaceable and includes a wear indicator. The outer jacket is powder-coated steel for a rugged and aesthetic exterior.



Intertek  
Certified to UL Std. 174  
Conforms to CAN/CSA  
C22.2 No. 110-94



	SB 300 E	SB 400 E
Part #	234110	234111
Description	Storage tank with 3 kW electric element, internal coil heat exchanger, and auxiliary heating ports. Electric element is removable and replaceable without draining the tank.	
Kit includes	Storage tank, 100 PSI T&P valve preinstalled	
Warranty	Limited lifetime tank & heat exchanger, 8 years auxiliary parts, anode rod excluded*	
MSRP:	\$2,099	\$2,499

\*See complete warranty on our website for details

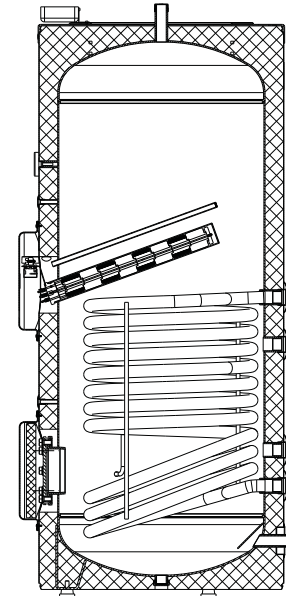
**Note:** A \$75 crating charge applies when being shipped freight.

#### Specifications SB 300 E / SB 400 E

	SB 300 E	SB 400 E
Part #	234110	234111
Storage capacity	79.3 gal	105.6 gal
Heating element capacity	3.0 kW	
Required breaker size	20 A	
Thermostat setpoint range	86-167°F	
Empty weight	313 lb	399 lb
24 hr. standby loss	9,553 BTU	10,236 BTU
Height	61"	
Diameter with insulation	25.6"	29.5"
Thickness of insulation	2"	
Working pressure	145 PSI	
Maximum tank temperature	203°F	
Heat exchanger power rating (inlet 50°F, outlet 140°F)	150,000 BTU/hr	164,000 BTU/hr

#### Tank connection sizes

	Connection size
Hot water outlet	1" NPT male
Cold water inlet	1" NPT male
Heat exchanger ports	1" NPT female
Auxiliary ports	1" NPT female
T&P valve port	3/4" NPT female



**SB 300/400 E**  
Solar Storage Tank



The 3kW backup electric heating element is contained in a sleeve and can be replaced without draining the tank.



## SBB Plus domestic hot water storage tanks

These storage tanks are made in Germany. They are rugged and designed for a long service life. The vessel is constructed from heavy gauge steel and porcelain enamel coated. 3" of foam insulation ensures ultra-low standby loss. The anode rod is replaceable and includes a wear indicator.



	SBB 300 Plus	SBB 400 Plus	SBB 600 Plus
Part #	187873	187874	187875
Description	80 gallon storage tank with two heat exchange coils.	108 gallon storage tank with two heat exchange coils.	162 gallon storage tank with two heat exchange coils.
Kit includes	Storage tank, NPT connection nipples, T&P valve & all necessary connectors		
Warranty	Limited lifetime tank & heat exchanger, 8 years auxiliary parts, anode rod excluded*		
MSRP:	\$2,299	\$2,499	\$2,699

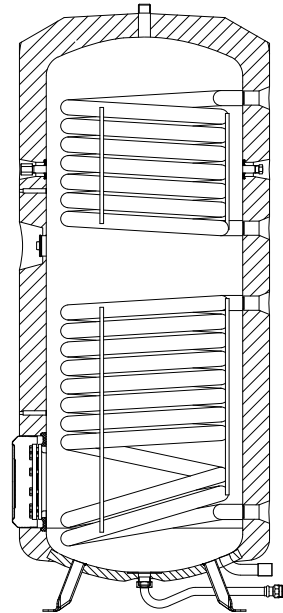
\*See complete warranty on our website for details

**Note:** The standard tank connections are 1" BSPP connections, but adapters for 3/4" & 1" BSPP connections are included.  
 The SBB 600 Plus tank is not rated as a pressure vessel by the ASME.  
 A \$75 crating charge applies when being shipped freight, except for the SBB 600 Plus.

### Specifications

	SBB 300 Plus	SBB 400 Plus	SBB 600 Plus
Part #	187873	187874	187875
Empty weight	339 lb	412 lb	544 lb
24 hr. standby loss	6500 BTU	7500 BTU	10,000 BTU
Height	66.1"	72.7"	68.3"
Diameter with insulation	27.55"	29.52"	36.22" *
Thickness of insulation	3"		3.35" *
Working pressure	150 PSI		
Max. HX temperature	266°F		
Top HX output rating	111,000 BTU/hr	128,000 BTU/hr	182,000 BTU/hr
Bottom HX output rating	150,000 BTU/hr	164,000 BTU/hr	242,000 BTU/hr

\*Insulation is partially removable to reduce width to 31 1/2" for transport.



**SBB 300/400/600 Plus Solar Storage Tank**

# Solar storage tanks

## SBB storage tank accessories



Recirculation nipple	
Part #	S248999
Material	Brass
Connection to tank	1/2" BSPP
Connection to loop	3/4" copper sweat
Description	Adapts recirculation port threads to copper sweat for connection to a recirculation loop
MSRP	\$50

**Note:** For SBB tanks only.



Electronic anode kit (SBB 300/400 Plus)	
Part #	570300
Supply voltage	120 V @ 60 Hz
Maximum current use	100 mA
Tank adapter connection	3/4" NPT
Tank connection	1 1/4" BSPP
Included parts	Electronic anode, anode cable, potentiostat, & stainless steel adapter
MSRP	\$476



Electronic anode kit (SBB 600 Plus)	
Part #	570600
Supply voltage	120 V @ 60 Hz
Maximum current use	200 mA
Tank adapter connection	3/4" NPT
Tank connections	1 1/4" & 1 1/2" BSPP
Included parts	2 electronic anodes , 2 anode cables, 2 potentiostats, & 2 stainless steel adapters
MSRP	\$899

**Note:** The electronic anode kits are only for use with SBB solar storage tanks. The adapters will not fit on a SB tank.

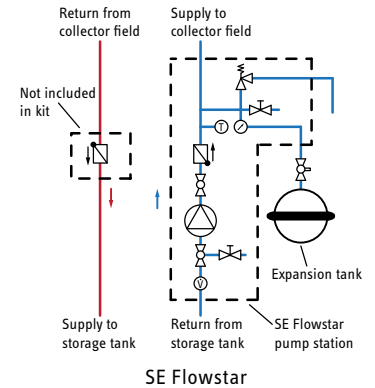
## Pump stations

### SE pump stations with Wilo 3-speed circulators

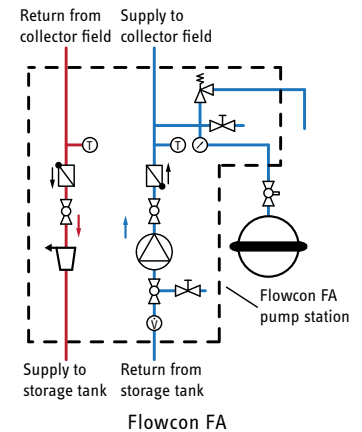
Stiebel Eltron Pump Stations are specially designed for closed loop solar systems. All pump stations include a Wilo 3-speed circulator. When connected to a SOM series controller, the pump speed can be modulated between 30-100%.



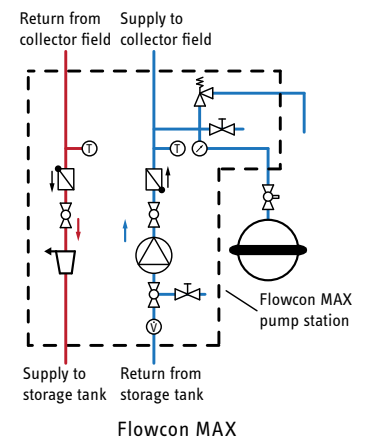
SE Flowstar pump station	
Part #	221337
Wetted materials	Brass connections, cast iron circulator volute
Inlet/outlet connection	3/4" BSPP female or 3/4" NPT male with included adapters
Expansion tank connection	3/4" BSPP male
Circulator	Wilo Star S16, 3-speed, 80 watt with variable speed capability
Includes	2 fill ports, pressure gauge, flowmeter & return thermometer.
Recommended for	1-4 collector systems
MSRP	\$770



Flowcon FA pump station	
Part #	607041
Wetted materials	Brass connections, cast iron circulator volute
Connection on inlet/outlet	1" BSPP female or 3/4" compression fittings with included adapters
Connection to expansion tank	3/4" BSPP male
Circulator	Wilo Star S21, 3-speed, 110 watt with variable speed capability
Includes	2 fill ports, pressure gauge, flowmeter, air vent, supply & return thermometer.
Recommended for	2-6 collector systems
MSRP	\$935

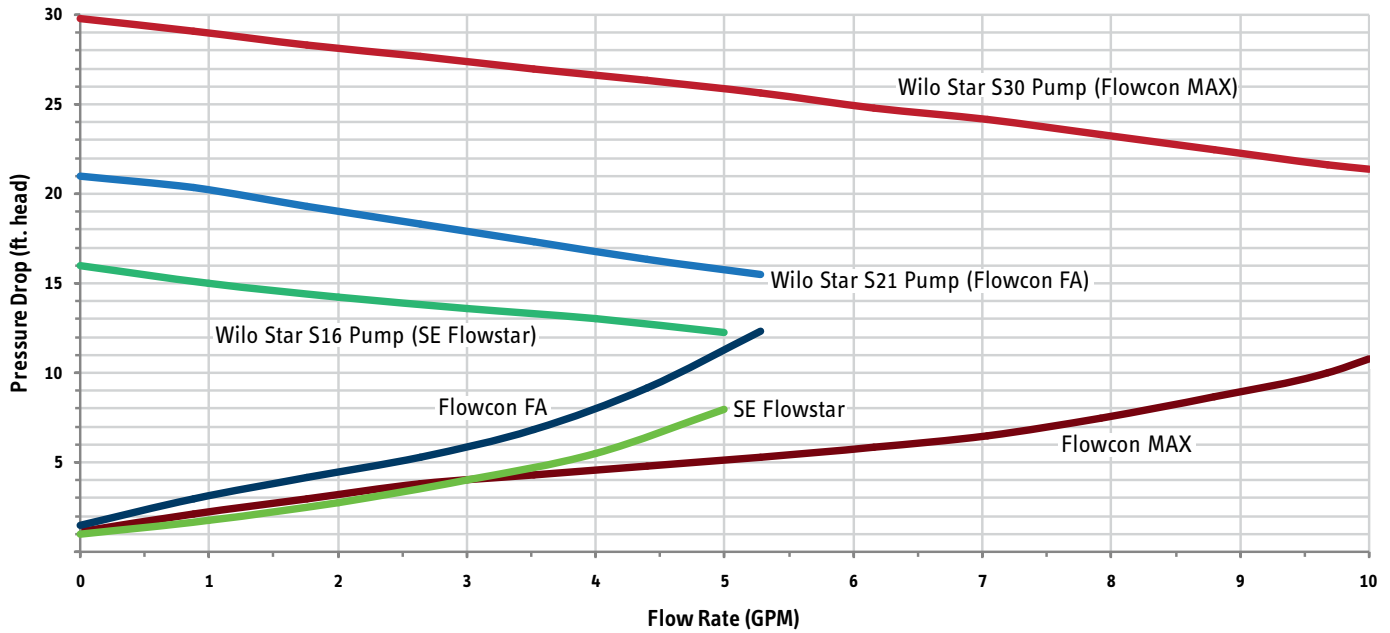


Flowcon MAX pump station	
Part #	607042
Wetted materials	Brass connections, cast iron circulator volute
Connection on inlet/outlet	1" BSPP female or 3/4" compression fittings with included adapters
Connection to expansion tank	3/4" BSPP male
3-speed Circulator	Wilo Star S30, 3-speed 180 watt with variable speed capability
Includes	2 fill ports, pressure gauge, flowmeter, air vent, supply & return thermometer.
Recommended for	4-12 collector systems
MSRP	\$1,190



# Pump stations

Stiebel Eltron pump station flow rate curves

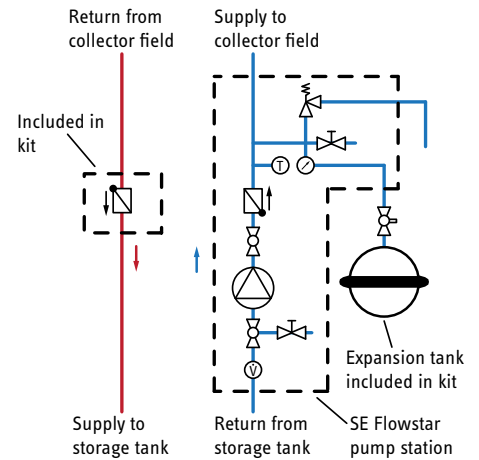


## SE Flowstar pump station kit



SE Flowstar pump station kit

Part #	221339
Description	When combined with collectors, tank & controller, it contains all necessary parts for a 1-4 collector residential system.
Kit includes	SE Flowstar pump station [221337], SE 30 expansion tank [ST117] & low tank mounting kit [221418]
MSRP:	\$968



**Pump station accessories**



Low tank mounting kit	
Part #	222418
Wetted parts	Brass
Connection	Adapts to 3/4" male NPT
Description	Kit is designed for mounting an SE Flowstar pump station on an SBB or SB storage tank.
MSRP	\$230

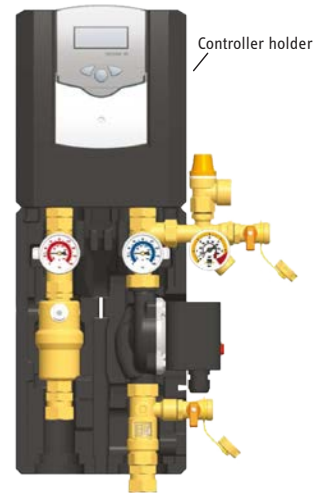


High tank mounting kit	
Part #	531987
Wetted parts	Brass, steel
Connection	Adapts to 3/4" male NPT
Description	Kit is designed for mounting an SE Flowstar pump station at eye level on an SBB or SB storage tank.
MSRP	\$277



Pump mounted controller holder	
Part #	560322
Material	EPP insulation
Dimensions	10 1/4" H x 8 1/4" W x 5 1/2" D
Description	For mounting SOM 6 & 7 solar controllers on a pump station.
MSRP	\$53

**Note:** Can be used to mount SOM 6 Plus [230141] or 7 Plus [230142] controllers onto SE Flowstar [221337], Flowcon FA [607041] or Flowcon MAX [607042] pump stations.



Controller holder mounted on a Flowcon MAX pump station

**Heat transfer fluid**

**Propylene glycol**




DOWFROST 50 propylene glycol	
Part #	074200
Volume	5 gallon
Mixture	50% water 50% propylene glycol with specially formulated corrosion inhibitors
Description	For systems with active heat dissipation measures. Food grade rated for higher DHW sensitive applications.
Operating temperature range	-50°F to 250°F
MSRP	\$139



DOWFROST HD propylene glycol	
Part #	074300
Volume	5 gallon
Mixture	50% water 50% propylene glycol with heavy duty corrosion inhibitors
Description	For systems designed to stagnate. Higher operating temperature, higher reserve alkalinity, greater thermal stability than DOWFROST. Enhanced properties come at cost of higher viscosity.
Operating temperature range	-50°F to 325°F
MSRP	\$139

## Flexible solar lineset

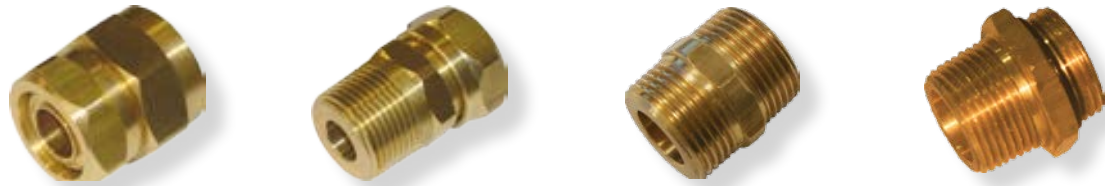
### SOL-FLEX flexible stainless steel lineset




SOL-FLEX 3/4" flexible lineset	
Part #	560150
Hose dimension	0.81" inner diameter
Material	316L stainless steel flexible hose
Insulation	EPDM rubber 3/4" thick
Insulation cover	UV resistant separable polyamide braiding
Features	Dual lineset. Embedded sensor wire in hot fluid line.
Total dimension	5" W x 2 3/8" H
Temperature range	-76°F to 356°F
MSRP	\$19/linear ft.

Note: Full rolls of lineset are available up to single lengths of 328'.

### SOL-FLEX 3/4" fittings



	SOL-FLEX 3/4" Female Fitting	SOL-FLEX 3/4" Male Fitting	SOL-FLEX 3/4" Coupling	3/4" BSPP to 3/4" NPT adapter
Part #	560151	560152	560154	S548310-NA
Material	Brass			
Lineset	3/4" SOL-FLEX lineset			N/A
Connection	3/4" BSPP female	3/4" BSPT male	3/4" SOL-FLEX	3/4" NPT male
Description	Female fitting to standard pipe connections.	Male fitting to standard pipe connections.	Coupling for joining 2 3/4" linesets together.	Adapter from 3/4" BSPP connections to 3/4" NPT.
MSRP:	\$21	\$22	\$9	\$16



ThermalDeck twin pipe lineset enclosure	
Part #	560156
Material	18 gauge galvanized steel
Included hardware	7 - 1" truss head screws, 4 - 3/4" tek screws with seals, 1 - 6" rubber edge trim, 1 - 8 1/2" rubber edge trim, 1 - 3/8" foam top seal
Total dimension	15" W x 15" L x 2 1/2" H
Cavity dimensions	8" W x 9" L x 2.5" H
Description	This lineset enclosure flashes the SOL-FLEX lineset to an asphalt roof. This makes for a more aesthetic installation and reduces the probability of leaks.
MSRP	\$170

## Expansion tanks

### Solar-rated expansion tanks

These expansion tanks are rated to higher temperatures than traditional expansion tanks for use in solar applications. Systems with short pipe runs or large number of collectors should also use a pre-cooling vessel to prevent damage to the expansion tank bladder.



	SE 30 Expansion Tank	SE 60 Expansion Tank	AG 80 Expansion Tank
Part #	ST117	ST118	ST119
Volume	2.0 gal	4.4 gal	21.1 gal
Collectors	Up to 5	Up to 10	Up to 16
Max. temp. rating	250°F		230°F
Max. pres. rating	150 PSI		
Pre-charge pres.	25 PSI		36 PSI
Connection	1/2" NPT male		1" NPT male
Dimensions	15" H x 11" ø	23" H x 11" ø	23.9" H x 17.7" ø
MSRP	\$88	\$200	\$365

### Pre-cooling vessels

The pre-cooling vessel is intended to add additional volume and surface area for hot solar fluid to dissipate heat before the expansion tank. This helps extend the life of the diaphragm in the expansion tank. This pre-cooling vessel is especially useful in systems that will stagnate.

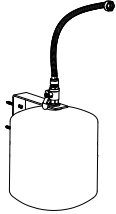


	VSG 12 Pre-cooling Vessel	VSG 18 Pre-cooling Vessel
Part #	560012	560013
Material	Carbon steel	
Coating	White epoxy-powder	
Capacity	3.2 gallons	4.8 gallons
Max. operating pressure	150 PSI	
Operating temperature	14 - 230°F	
Connection	3/4" NPT male	
Total dimension	10.4" H x 10.6" ø	13.7" H x 10.6" ø
MSRP	\$95	\$111

# System controllers

## Expansion tank accessories

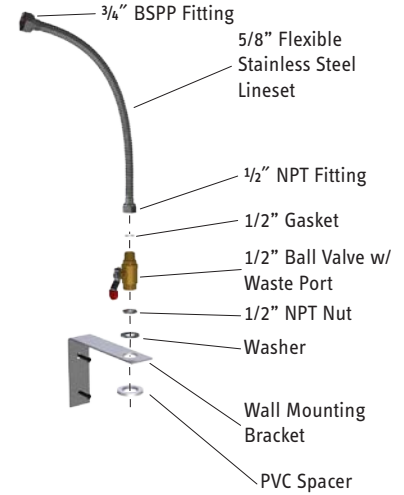
The expansion tank flexible lineset kit speeds up installation time by providing all necessary parts to connect the pump station to the expansion tanks. This allows for a sealed connection without needing to solder any pipe.



Expansion Tank Flexible Lineset Kit	
Part #	560200
Pump station connection	3/4" BSPP female
Expansion tank connection	1/2" NPT female
Includes	4' flexible lineset, wall-mounting bracket, ball valve with waste port, all necessary gaskets, washers & spacers.
MSRP	\$130



Wall-mounting Bracket	
Part #	560261
Material	Aluminum
Description	The wall-mounting bracket is made of Aluminum and is designed to hang either an SE 30 or 60 expansion tank or the VSG 12 Pre-cooling vessel.
Price	\$35



## System controllers

### Basic differential controllers

SOM 6 & 7 Plus controllers have the necessary number of sensors to monitor the temperature of the solar array, storage tank, and 2 more temperature locations in the system.



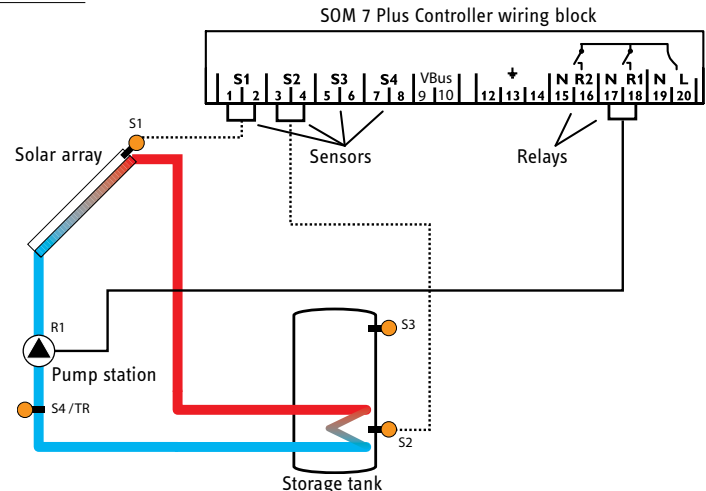
SOM 6 Plus

SOM 7 Plus

Part #	230141	230142
Sensor inputs	2 Pt1000 sensors	4 Pt1000 sensors
Relay outputs	1 variable speed relay	2 variable speed relays
Features	Energy metering and VBus connection, system cooling functions, vacation mode & pump speed control	
Warranty	2 years	
MSRP	\$215	\$318

### Controller specifications

SOM 6 & 7 Plus	
Housing	Plastic, PC-ABS and PMMA
Dimensions	6.7" H x 4.3" W x 1.9" D
Installation	Wall or tank mounted
Standby power use	1 Watt
Relay capacity	1 amp each @ 100-240V



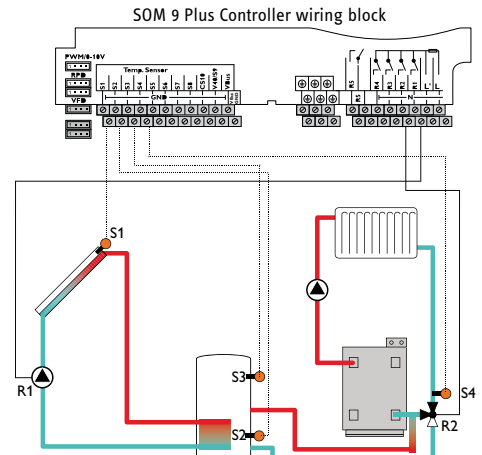


**SOM 9 Plus differential controller**

The SOM 9 Plus controller is equipped with five Pt1000 sensor inputs, two analog Grundfos sensor inputs, an impulse input, as well as a supplemental L'-output for the connection of an actuator. The integrated memory card slot enables easy datalogging to an SD memory card as well as a quick and effortless transfer of logged system data to a PC. Pre-defined functions allow easier configuration of the system; functional additions such as a drainback option broaden the range of applications. Function block allows for programmable operation of relay outputs.



SOM 9 Plus	
Part #	11209790
Sensor inputs	4 Pt1000, 2 digital Grundfos Direct Sensors™
Relay outputs	4 variable speed relays, 1 dry contact relay and 2 PWM outputs
Features	Energy metering and VBus connection, system cooling functions, vacation mode & pump speed control. Comes with SD card.
Warranty	2 years
MSRP	\$658



**SOM 10 differential controller**

The SOM 10 is a system controller of the latest generation and offers almost boundless possibilities in planning and controlling solar hot water systems.

The integrated SD memory card slot enables easy datalogging to an SD memory card and a quick, effortless transfer of logged data to a PC.

Additionally, firmware updates can be run and controller settings can be saved on and transferred from an SD card. The large full graphic display allows the direct display of balance and progression diagrams.

Pre-defined functions allow easier setup of the system; functional additions such as a drainback function extend the range of applications.



SOM 10	
Part #	36000667
Sensor inputs	12 Pt1000 sensors and 3 flowmeter connections
Relay outputs	9 variable speed relays, 1 potential-free relay and 4 PWM outputs
Features	Function blocks, energy metering and VBus connection, system cooling functions, vacation mode & pump speed control
Warranty	2 years
MSRP	\$1,099



The SOM 10 features a full graphic display capable of showing historical sensor data and multiple sensors and relay values at once.

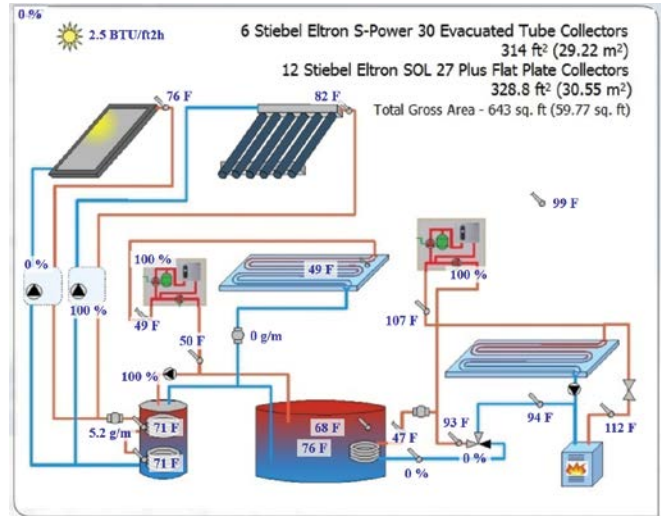
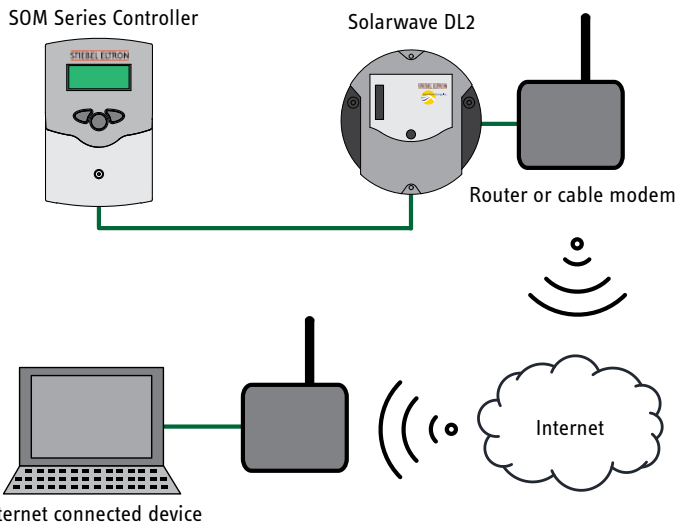
# System controllers

## DL2 system datalogger

- › Login to your solar system from anywhere on the web
- › Dashboards designed for both owners and installers to verify system operations.
- › Installers can manage and control systems remotely
- › Controller settings can be fine-tuned remotely for optimal system performance
- › Optional e-mail alarms to notify of performance issues
- › Remote access reduces on-site cost for service contracts



Datalogger DL2 with Solarwave	
Part #	560005
Internal Memory	180 MB internal memory for network outages
SD Card	SD card slot for firmware updates and data export
Compatibility	Connects to all SOM series solar controllers via VBus. Automatically connects to internet. Little to no network configuration required.
Warranty	2 years
MSRP	\$475



The connection is easy and fast. Once connected, the Solarwave DL2 will automatically find the server.

The diagram view allows for a virtual inspection of the system.

## Controller accessories



Datalogger DL3	
Part #	18000990
Features	Data logging and parameterization of up to 6 VBus devices. BACnet functionality for integration with building management systems. Remote access via vbus.net web service.
Warranty	2 years
MSRP	\$874



Extension Module for SOM 10	
Part #	14544080
Features	The extension module connects to the VBus port of the SOM 10 controller. It provides 5 additional relays and 6 sensor inputs to the functionality of the SOM 10.
Warranty	2 years
MSRP	\$360



Calorimeter WMZ	
Part #	530357
Features	The Calorimeter WMZ is an energy monitor for solar hot water and conventional energy systems. It calculates production using a flowmeter and two temperature sensors.
Inputs	2 - Pt1000 temperature sensors, 1 flowmeter
Connection	Connects to SOM series controllers via VBus
Power supply	115 V
Warranty	2 years
MSRP	\$273



Minomess 130 flowmeter	
Part #	560004
Description	Flowmeter for energy monitoring. Lead-free, nickel plated body makes it suitable for DHW and closed-loop solar applications. This unit can be used with the Calorimeter WMZ.
Connections	1" BSPP or 3/4" copper sweat with adapters
Flow rate	22 GPM maximum
Temperature	86°F to 194°F
Warranty	2 years
MSRP	\$203



V40 Flowmeter-06	
Part #	28001107
Description	0.1-5.25 gpm flowmeter with 3/4" male NPT connections.
MSRP	\$466



V40 Flowmeter-15	
Part #	28001117
Description	0.25-13.25 gpm flowmeter with 3/4" male NPT connections.
MSRP	\$280



V40 Flowmeter-25	
Part #	28001127
Description	0.25-22 gpm flowmeter with 3/4" male NPT connections.
MSRP	\$535



Outdoor Temp. Sensor



Pt1000 Indoor Temp. Sensor



Irradiation Sensor



Overvoltage Protection Sensor

Part #	15500810	15500300	15100320	18011070
Description	Measures the outdoor temperature with a sensor in a weatherproof housing.	Temperature sensor for interior installation. Housing mounts on flat surface. Range from 23°F to 176°F.	Measures the solar radiation intensity and is utilized by the controller.	Sensor designed to protect outdoor temperature sensors from damage during lightning storms
For use with	All SOM series controllers			
MSRP	\$45	\$43	\$103	\$47



Pt1000 Temp. Sensor



High Temp. Pt1000 Sensor



High Temp. Pt1000 Clip-on Sensor

Part #	165818	15500110	15500330
Description	Pt1000 temperature sensor with moderate temperature range. Use in a sensor well.	Pt1000 temperature sensor with high temperature rating. Use on solar collectors in a sensor well. Sensor cable is 39" long.	Pt1000 temperature sensor with an included hose camp for 3/4" pipe. Sensor cable is 60" long.
Temperature range	-58°F to 356°F	-58°F to 482°F	-58°F to 356°F
For use with	All SOM series controllers		
MSRP	\$22	\$41	\$26

# Pipe insulation



SOM 6, 7, 9 Fuse	
Part #	180650
Description	4A fuse for a SOM 6 Plus, SOM 7 Plus, SOM 9 Plus
MSRP	\$1.50



SOM 8 Fuse	
Part #	29000470
Description	6.3A slow-blow fuse for SOM 8 controller.
MSRP	\$2.50



SOM 10 Fuse	
Part #	29002990
Description	6.3A slow-blow fuse for SOM 10 controller.
MSRP	\$1.90

## Pipe insulation



T-joint Outdoor Pipe Insulation



Straight Outdoor Pipe Insulation



90° Elbow Outdoor Pipe Insulation



45° Elbow Outdoor Pipe Insulation

Part #	SUPVCT	SUPVCT	SUPVCT90	SUPVCT45
Description	PVC clad polyisocyanurate insulation for outdoor runs of 3/4" copper pipe. 7/8" inner diameter with 1" wall.			
Contents	PVC jacket, 2 half-sections of insulation	3' increment of straight pvc jacket, 2 half-sections of 3' of insulation	PVC jacket, 2 half-sections of insulation	PVC jacket, 2 half-sections of insulation
MSRP	\$11	\$5/linear ft.	\$13	\$9



PVC Pre-curcled Jacket



PVC Tape

Part #	SPVC30	PVCTPE
Description	Weatherproof, white PVC jacket for outdoor pipe runs	1 1/2" wide PVC tape for securing external insulation
Contents	4' section of PVC jacket	Roll of tape 108' in length
MSRP	\$3/linear ft.	\$17



Split insulation

Solid insulation

	Armaflex Split Insulation	Armaflex Solid Insulation
Part #	SARMFLEX-SPLIT	SARMFLEX
Description	Black, flexible insulation for 3/4" copper pipe. Insulation thickness is 3/4" with an R-value of 3.1.	
Temperature range	-40 to 220°F	
MSRP	\$5 / linear ft.	\$3 / linear ft.

## Replacement Parts for Solar Components

### SOL 27 Premium S/W

For use with solar arrays using SOL 27 Premium S [230016] and SOL 27 Premium W [23007] collectors

Part #	Part Name	Part Description	MSRP
231906	KGS collector handle set	Handles to help maneuver collectors during installation.	\$242
148337	3/4" graphite gasket	Gasket sealing the SS connectors to the array pipe run.	\$1
292054	Collector connection hitch clips	Clips fasten the collector to the mounting frame.	\$2.80

### SOL 25 Plus

For use with solar arrays using SOL 25 Plus [185541] and SOL 25 Plus C [227749] collectors

Part #	Part Name	Part Description	MSRP
170804	Flexible tube inter-panel connector	Flexible connection between collectors.	\$40
185307	Sensor well	Connection for sensor well. 1 per system needed.	\$22

### SBB Plus

For use with SBB 300 Plus [187873], SBB 400 Plus [187874], and SBB 600 Plus [187875] storage tanks

Part #	Part Name	Part Description	MSRP
140919	Anode rod indicator	Indicates if the anode rod needs to be replaced	\$5
285253	Analog thermometer (°F)	Indicates temperature of SBB Plus tank	\$8
010389	SBB side plug gasket	Gasket sealing the side tank connection	\$1
252680	Immersion sleeve	Immersion sleeve for aquastat	\$3
139977	Nut for immersion sleeve	Connecting nut for the immersion sleeve	\$2
139978	Washer for immersion sleeve	Washer for the immersion sleeve	\$1
560413	Sensor well shim	EPDM rubber shim for securing temp. sensors into wells	\$1
168662	Clean-out port gasket	Gasket for clean-out port	\$6
714-LF 3/4	Lead-free brass T-connection for T&P valve	T-connector for T&P valve on hot water connection	\$33
S28641	Watts T&P valve 3/4" x 8" (150 psi/210°f)	T&P valve	\$39

### SBB 300 Plus

For use with SBB 300 Plus [187873] storage tanks only

Part #	Part Name	Part Description	MSRP
247279	SBB 300 Plus Outer Jacket	White vinyl protective outer jacket	\$48
289824	SBB 300 Top Cover	Gray vinyl top cover	\$16
247354	SBB 300 Outer Jacket Bottom Trim	Gray vinyl bottom trim	\$8
240397	Stainless Steel Tank Inlet Tube	Inlet tube connecting to bottom cold water connection	\$26
270318	Tank Leg Adjustment Feet	Adjusting feet for tank legs	\$6

### SBB 400 Plus

For use with SBB 400 Plus [187874] storage tanks only

Part #	Part Name	Part Description	MSRP
247280	SBB 400 Plus Outer Jacket	White vinyl protective outer jacket	\$65
289827	SBB 400 Top Cover	Gray vinyl top cover	\$22
247355	SBB 400 Outer Jacket Bottom Trim	Gray vinyl bottom trim	\$8
240398	Stainless Steel Tank Inlet Tube	Inlet tube connecting to bottom cold water connection	\$26
270318	Tank Leg Adjustment Feet	Adjusting feet for tank legs	\$6

# Replacement Parts for Solar Components

## SB E

For use with SB 300 E [234110] and SB 400 E [234111] storage tanks with electric backup element

Part #	Part Name	Part Description	MSRP
296391	3 kW Heating Element	Backup electric element	\$32
309859	Enameled Clean-out Port Flange	Clean-out port flange	\$14
315264	SB 300 E Top Cover	Top cover for SB 300 E [ 234110 ] only	\$26
315297	SB 400 E Top Cover	Top cover for SB 400 E [ 234111 ] only	\$31
315265	Analog Thermometer (°F)	Analog thermometer displaying units in Fahrenheit	\$6.50
315266	Clean-Out Port Cover	Cover for clean-out port	\$12
315272	Connecting Cables	Connecting cables for electric element	\$11

## SB S

For use with SB 150 S and SB 200 S storage tanks only

Part #	Part Name	Part Description	MSRP
290497	Sacrificial Anode Rod (Straight)	Anode rod for SB 150 S [ 221220 ] storage tank	\$15
290498	Sacrificial Anode Rod (Straight)	Anode rod for SB 200 S [ 221221 ] storage tank	\$16

## Pump Stations

For use with Stiebel Eltron pump stations

Part #	Part Name	Part Description	MSRP
278068	Wilo Star S16U-15-130 Circulation Pump	Replacement pump for SE Flowstar [ 221337 ]	\$180
E123193	Wilo Star S21U-15-130 Circulation Pump	Replacement pump for Flowcon FA [ 607041 ]	\$215
E123199	Wilo Star S30U-15-180 Circulation Pump	Replacement pump for Flowcon MAX [ 607042 ]	\$330
561222	Compression Fitting to 1" Copper Pipe	Pipe fitting to Flowcon FA [ 607041 ]	\$24
562922	Compression Fitting to 3/4" Copper Pipe	Pipe fitting to Flowcon MAX [ 607042 ]	\$33
278069	Pressure Gauge for Pump Station	Pressure gauge for SE Flowstar [221337, 1st Generation]	\$25
E22543NA	4" Brass Nipple Adapter (1"BSPP-1"BSPT)	Connecting nipples for tank mounting kit [ 222418 ]	\$33

## Heat Pump Water Heaters

### Accelera® E Heat Pump Water Heaters

- › Digital display
- › Easy access for service
- › Impressed current anode corrosion protection
- › Qualifies for federal, state, local, and utility financial incentives
- › 10 year warranty

Our heat pump water heaters are designed from the ground up to rely on the heat pump, not on the back-up element. We don't call the Accelera® heat pump water heaters "hybrids." They're not.

Our tanks are large, because large is the best for a heat pump water heater. Even our "50-gallon" heat pump water heater is actually 58 gallons. Large capacity means the water you are using, as much as possible, was heated the most efficient way – with the heat pump.

We super-insulate our tanks, because minimizing stand-by losses means less energy is wasted. In order to deliver all the energy savings a heat pump water heater can, in addition to all the hot water comfort it holds, it makes no sense to skimp on the insulation and increase energy consumption.

We use a single resistance element for back-up water heating during times of high demand. Our single booster element is located in the most efficient place – at the very top of the tank because that's where the hot water is drawn from.



	Accelera® 220 E	Accelera® 300 E
Part #	233058	233059
Nominal capacity	58 gal	80 gal
Empty weight	264 lb	298 lbs
Ambient air temperature range	42-108°F	
Sound pressure level at 1 m	52 dB(A)	
DHW temperature	149°F	
Height	60.8"	75¼"
Diameter with insulation	27.2"	
Thickness of insulation	3"	
Voltage	240 Vac	
Circuit breaker	15 A	
Heat pump power draw	650 W	
Heating element power draw	1700 W	
Max. power draw	2350 W	
Phase	Single	
Energy Star energy factor	3.05	3.39
Typical COP	3-6	
MSRP	\$2,999	\$3,199



Dept. of Energy Energy Guide	Accelera 220 E	Accelera 300 E
Est. yearly energy use	1406 kWh/yr	1289 kWh/yr
Est. yearly energy cost	\$169/yr	\$155/yr

# Tankless Electric Water Heaters

## Tankless Electric Water Heaters

We invented tankless electric water heaters and have been perfecting them for 90 years. Our point-of-use water heaters can save considerable energy and provide user comfort in any distributed water situation. Our Tempra® models make ideal back-up systems for solar hot water systems either for domestic hot water or for radiant heat. They are so ideal that for years they have been the back-up of choice for U.S. Department of Energy Solar Decathlon competitors.

### Mini™ Point-of-use Tankless Electric Water Heaters

Stiebel Eltron Mini™ tankless water heaters are designed for installation at a single sink to provide warm water for hand washing at 90-100°F. The Mini™ heats water instantaneously as it flows through the unit. Stand-by heat-losses are completely eliminated. The efficient heating elements are controlled by a simple flow switch. Additionally, all Mini™ water heaters are equipped with a safety high-limit with manual reset.

	Mini™ 2-1	Mini™ 2.5-1	Mini™ 3-1	Mini™ 3.5-1	Mini™ 4-2	Mini™ 6-2
Part #	231045	232098	220816	232099	222039	220817
Voltage	120 V	120 V	120 V	120 V	240 V 208 V	240 V 208 V
Power	1.8 kW	2.4 kW	3.0 kW	3.5 kW	3.5 kW 2.9 kW	5.7 kW 4.7 kW
Phase	single					
Plumbing connection	3/8" NPT male					
Supply temperature	Suitable for cold water only					
MSRP	\$199	\$199	\$199	\$199	\$199	\$199



### Mini-E™ Thermostatic Handwashing Sink Tankless Electric Water Heaters

Thermostatic Mini™ for hand washing installations that need compliance with UPC 413.1.

	Mini-E™ 2-1	Mini-E™ 2.5-1	Mini-E™ 3-1	Mini-E™ 3.5-1	Mini-E™ 4-2	Mini-E™ 6-2
Part #	236011	236135	236010	236136	236009	236008
Voltage	120 V	120 V	120 V	120 V	240 V 208 V	240 V 208 V
Power	1.8 kW	2.4 kW	3.0 kW	3.5 kW	3.5 kW 2.9 kW	5.7 kW 4.7 kW
Phase	single					
Plumbing connection	3/8" NPT male					
Supply temperature	Suitable for cold water only					
MSRP	\$299	\$299	\$299	\$299	\$299	\$299



### DHC Point-of-use Tankless Electric Water Heaters

Stiebel Eltron DHC tankless water heaters are designed for installation at the point of use. They heat water instantaneously as it flows through the unit. Stand-by losses are completely eliminated. The heating elements are controlled by a flow switch so dry-firing is not possible. DHC water heaters are equipped with a safety high-limit switch with manual reset.

	DHC 3-1	DHC 3-2	DHC 4-2	DHC 4-3
Part #	074050	074052	074053	074051
Voltage	120 V	240 V 208 V	240 V 208 V	277 V
Power	3 kW	3.3 kW 2.5 KW	3.8 kW 2.9 KW	4.5 KW
Phase	single			
Plumbing connection	1/2" NPT male			
Supply temperature	Suitable for cold water only			
MSRP	\$229	\$229	\$229	\$229

	DHC 5-2	v	DHC 8-2	DHC 9-3	DHC 10-2
Part #	074054	074424	074055	232204	074056
Voltage	240 V 208 V	240 V 208 V	240 V 208 V	277 V	240 V 208 V
Power	4.8 kW 3.6 kW	6 kW 4.5 kW	7.2 kW 5.4 kW	9 kW	9.6 kW 7.2 kW
Phase	single				
Plumbing connection	1/2" NPT male				
Supply temperature	Suitable for cold water only				
MSRP	\$229	\$229	\$229	\$229	\$229





## DHC-E Point-of-use Tankless Electric Water Heaters

DHC-E is a powerful, flexible, point-of-use water heating solution. The DHC-E 8/10 is actually two models in one - switchable between 7.2 and 9.6 kW via a jumper during installation. The DHC-E 12 offers 12 kW output, in an affordable, compact package.

	DHC-E 8/10		DHC-E 12	
Part #	224201		230628	
Voltage	240 V	208 V	240 V	208 V
Power	7.2/9.6 kW	5.4/7.2 kW	12.0 kW	9.0 kW
Phase	single			
Plumbing connection	1/2" NPT male			
Supply temperature	131°F			
MSRP	\$319		\$339	



## Tempra® Whole-house Tankless Electric Water Heaters

Unlike tank water heaters that must recharge their volume Tempra® tankless electric water heaters provide an unlimited supply of hot water. The variable temperature knob on the front of the unit allows for easy control over the outlet temperature. The exclusive Tempra Advanced Flow Control™ system on Tempra® Plus models was invented by Stiebel Eltron and reduces flow to maintain output set temperature if demand temporarily exceeds capacity.

Tempra® Part number	12 223420		15 223421	
	12 Plus 224196		15 Plus 224197	
Voltage	240 V	208 V	240 V	208 V
Power	12 kW	9 kW	14.4 kW	10.8 kW
Phase	single			
Plumbing connection	3/4" NPT male			
Max. supply temp.	131°F			
MSRP	12 \$564		15 \$744	
	12 Plus \$679		15 Plus \$879	



	20 223422		24 223424		29 232885		36 232886	
	20 Plus 224198		24 Plus 224199		29 Plus 223425		36 Plus 223426	
Voltage	240 V	208 V	240 V	208 V	240 V	208 V	240 V	208 V
Power	19.2 kW	14.4 kW	24 kW	18 kW	28.8 kW	21.6 kW	36 kW	27 kW
Phase	single							
Plumbing connection	3/4" NPT male							
Max. supply temp.	131°F							
MSRP	20 \$784		24 \$824		29 \$864		36 \$924	
	20 Plus \$919		24 Plus \$959		29 Plus \$999		36 Plus \$1,059	

# Tankless Electric Water Heaters

## Overstock Inventory

The following overstocked items have been greatly discounted. Prices shown are the final sale price. Shipping charges and tax still apply.

### SOL 27 Premium Architectural Trim

These cover strips bridge the gaps between collectors to create a seamless appearance of the solar array.

Part #	Part Name	Part Description	MSRP
230931	SOL 27 Premium S architectural cover strip	For covering the gap between two SOL 27 Premium S collectors.	\$35
230932	SOL 27 Premium W architectural cover strip	For covering the gap between two SOL 27 Premium W collectors.	\$35

### S-Power Evacuated Tubes

Part #	Part Name	Part Description	MSRP
1302/005	S-Power vacuum tube	2 meter long heat pipe vacuum tube for use with 20 tube manifold.	\$15
791175	S-Power 20 tube manifold	20 tube manifold for use with vacuum tube.	\$350
791017	S-Power end caps	Cover the end of a row of tube manifolds.	\$12.50
711000	S-Power adapters	Adapt the tube manifold to 3/4" NPT.	\$17.50

### Pump Stations with Heat Exchangers

These solar pump stations have an integrated flat-plate heat exchanger, a solar-side and domestic-side pump, and an included controller.

Part #	Part Name	Part Description	MSRP
6094602US	SE Solex DWHX 16 plate heat exchanger	Pump station for a storage tank without integral heat exchanger.	\$1,350

### Solar Controllers and Accessories

Part #	Part Name	Part Description	MSRP
222141	SOM 7 Si	Solar controller with 2 electromechanical relays.	\$125
227535	SOM 8	Solar controller with 9 relays.	\$220
29000470	SOM 8 fuse	6.3A slow-blow fuse for SOM 8 controller	\$2.50

### Miscellaneous Accessories

Part #	Part Name	Part Description	MSRP
S10043	Purg-o-mat	Automatic air separator with 1/2" BSPP male connection.	\$14
S10047	Voss ball valve	Ball valve for with 1/2" BSPP female & 3/8" NPT male connections.	\$4.50
S10042	Voss air separator	Air separator with 3/4" compression fittings & 3/8" BSPP connection on top.	\$26
18000850	VBus to USB adapter	Connection for controller to PC. Monitoring capability using Resol software.	\$70
18000880	VBus to LAN adapter	Connection for controller to network. Monitoring capability online.	\$95
560001	SunReports Apollo 1	Stand-alone monitoring for solar thermal or PV systems.	\$300
13600020	Room thermostat	Stand-alone thermostat for controlling relays based on temperature.	\$75
18000777	Smart Display SD3	Displays critical system information in a large form factor for easy viewing.	\$200
SID10	Black Magic EL-SID 10W DC Pump	10 Watt. 12 Volt pump for DC-drive solar thermal systems.	\$150
SID20	Black Magic EL-SID 20W DC Pump	10 Watt. 12 Volt pump for DC-drive solar thermal systems.	\$200
560503	1/2" lead-free brass Y-strainer	Y-strainer for collecting debris in solar thermal loop.	\$15
560504	3/4" lead-free brass Y-strainer	Y-strainer for collecting debris in solar thermal loop.	\$20

## Price List

### SOL 27 Premium collectors

Part #	Part Name	MSRP
230016-USA	SOL 27 Premium S	\$1,249
230017-USA	SOL 27 Premium W	\$1,249

### SOL 27 Premium connectors

Part #	Part Name	MSRP
230913	Inlet/outlet connectors	\$150
231683	Single connector	\$65
230185	Inter-panel connector	\$50
230186	Inlet/outlet connectors (flex line)	\$204
230187	Single flex-connector	\$75
600185	Brass sweat adapter	\$25

### Racking components

Part #	Part Name	MSRP
230169	Single mounting frame (short)	\$83
230170	Double mounting frame	\$133
230920	Single mounting frame (wide)	\$122
SFC001	Frame connector kit	\$64
560101	Vertical 45° rack	\$294
560102	Vertical 30-60° rack	\$251
560106	Vertical X-brace	\$60
560201	Horizontal 45° rack	\$177
560203	Horizontal 30-60° rack	\$177
560206	Horizontal X-brace	\$140
560401	2 collector flush mount rail kit	\$265
560402	Extension rail kit	\$155
560403	Horizontal flush mount rail kit	\$170
560104-27	Vertical flush mount rail	\$70

### Roof-mounting components

Part #	Part Name	MSRP
560105L	L-bracket flashing kit	\$46
560105SQL	SQL-bracket flashing kit	\$51
560105SQ	SQ-bracket flashing kit	\$43
560105Z	Z-bracket flashing kit	\$50
S5U	ASG-U2 clamp	\$22
S560254	L-bracket	\$12

### Solar storage tanks

Part #	Part Name	MSRP
234110	SB 300 E	\$2,099
234111	SB 400 E	\$2,499
187873	SBB 300 Plus	\$2,299
187874	SBB 400 Plus	\$2,499
187875	SBB 600 Plus	\$2,699

### Storage tank accessories

Part #	Part Name	MSRP
S248999	Recirculation nipple	\$50
570300	Electronic anode kit (SBB 300/400 Plus)	\$476
570600	Electronic anode kit (SBB 600 Plus)	\$899

### Pump stations

Part #	Part Name	MSRP
221337	SE Flowstar pump station	\$688
607041	Flowcon FA pump station	\$840
607042	Flowcon MAX pump station	\$1,135
221339	SE Flowstar pump station kit	\$968

### Pump station accessories

Part #	Part Name	MSRP
222418	Low tank mounting kit	\$230
531987	High tank mounting kit	\$277
560322	Pump mounted controller holder	\$53

### Heat transfer fluid

Part #	Part Name	MSRP
074200	DOWFROST propylene glycol	\$139
074300	DOWFROST HD propylene glycol	\$139

### Flexible solar lineset

Part #	Part Name	MSRP
560150	SOL-FLEX 3/4" flexible lineset	\$19/ft
560151	SOL-FLEX 3/4" female fitting	\$21
560152	SOL-FLEX 3/4" male fitting	\$22
560154	SOL-FLEX 3/4" coupling	\$9
S548310-NA	3/4" BSPP to 3/4" NPT adapter	\$16
560156	ThermalDeck twin pipe lineset enclosure	\$170

### Expansion tanks & accessories

Part #	Part Name	MSRP
ST117	SE 30 expansion tank	\$88
ST118	SE 60 expansion tank	\$200
ST119	AG 80 expansion tank	\$365
560012	VSG 12 pre-cooling vessel	\$95
560013	VSG 18 pre-cooling vessel	\$111
560200	Expansion tank flexible lineset kit	\$130
560261	Wall-mounting bracket	\$35

### System controllers

Part #	Part Name	MSRP
230141	SOM 6 Plus	\$215
230142	SOM 7 Plus	\$318
11209790	SOM 9 Plus	\$658
36000667	SOM 10	\$1,099

### Controller accessories

Part #	Part Name	MSRP
560005	Datalogger DL2 with Solarwave	\$475
18000990	Datalogger DL3	\$874
14544080	Extension module for SOM 10	\$360
530357	Calorimeter WMZ	\$273
560004	Minomess 130 flowmeter	\$203
15500810	Outdoor temperature sensor	\$45
15500300	Pt1000 indoor temperature sensor	\$43
15100320	Irradiation sensor	\$103
18011070	Overvoltage protection sensor	\$47
165818	Pt1000 temperature sensor	\$22
15500110	High temperature Pt1000 sensor	\$41
15500330	High temperature Pt1000 clip-on sensor	\$26
180650	SOM 6, 7, 9 Fuse	\$1.50
29002990	SOM 10 fuse	\$1.90

### Pipe insulation

Part #	Part Name	MSRP
SUPVCT	T-joint outdoor pipe insulation	\$11
SUPVCST	Straight outdoor pipe insulation	\$5/ft.
SUPVC90	90° elbow outdoor pipe insulation	\$13
SUPVC45	45° elbow outdoor pipe insulation	\$9
SPVC30	PVC pre-curved jacket	\$3/ft.
PVCTPE	PVC tape	\$17
SARMFLEX-SPLIT	Armaflex split insulation	\$5/ft
SARMFLEX	Armaflex solid insulation	\$3/ft

STIEBEL ELTRON, Inc.  
17 West Street | West Hatfield MA  
Tel. 0413 247-3380 | Fax 0413 247-3369  
info@stiebel-eltron-usa.com  
www.stiebel-eltron-usa.com

**STIEBEL ELTRON**

Simply the Best