

# UltraHot® Plus & Premium Instant Hot Water Dispensers

Engineer/Architect: \_\_\_\_\_ Date: \_\_\_\_\_

Job Name/Customer: \_\_\_\_\_ Phone: \_\_\_\_\_

Location: \_\_\_\_\_ Date Required: \_\_\_\_\_

Contractor: \_\_\_\_\_ Phone: \_\_\_\_\_

Water Heater Specifications	Item No.	Quantity	Wattage	Voltage	Amperage
Model # UltraHot® _____	_____	_____	_____	_____	_____

## Applications

### Commercial › Industrial › Institutional

- › Office buildings
- › Stores
- › Malls
- › Warehouses
- › Restaurants
- › Gas stations
- › Hotels / motels
- › Commercial condominiums
- › Manufacturing facilities

### Residential

- › Kitchens
- › Cabins / cottages
- › Home office
- › Work areas

## Warranty



UltraHot Plus®



UltraHot Premium®

**Residential & commercial warranty:** Stiebel Eltron, Inc. warrants to the original owner that the UltraHot Plus® instant hot water dispenser will be free from defects in workmanship and materials for a period of three (3) years from the date of purchase, or that the UltraHot Premium® instant hot water dispenser will be free from defects in workmanship and materials for a period of four (4) years from the date of purchase. Should the part(s) prove to be defective under normal use during this period, Stiebel Eltron, Inc. will be responsible for replacement of the defective part(s) only. Stiebel Eltron, Inc. is not responsible for labor charges to remove and/or replace the defective part(s), or any incidental or consequential expenses.

Should the owner wish to return the instant hot water dispenser for repair, the owner must first secure written authorization from Stiebel Eltron, Inc. The owner shall be required to show proof of purchase date, and to pay all transportation costs to return the defective part(s) or instant hot water dispenser for repair or replacement. Warranty is void if dispenser has been installed or used improperly or if design has been altered in any way.

rev. 12.2024. Due to our continuous process of engineering and technological advancement, specifications may change without notice.

# Specifications

Model	UltraHot Plus®	UltraHot Premium®
Item number	203876	203877
Phase - 50/60 Hz	Single	
Voltage	120 V	
Wattage	750 W	1440 W
Amperage	6.25 A	12 A
Electrical connection	Factory-installed 6 ft. (1.8 m) power cord with plug, hard-wiring optional	Factory-installed 6 ft. (1.8 m) power cord with plug, hard-wiring optional
Recommended circuit breaker size <sup>1</sup>	10 A	15 A
Warranty	3 years	4 years
Rated capacity	0.7 gal (2.6 l)	
Max. flow rate, hot water	0.66 gpm (2.5 l/min)	
Max. permissible pressure, outlet side	0 psi (0 bar)	
Temperature range	149–203 °F (65–95 °C)	
User interface	Illuminated LCD display	
Dimensions	<b>H</b> 17 <sup>3</sup> / <sub>4</sub> " (450 mm) x <b>W</b> 7 <sup>7</sup> / <sub>8</sub> " (200 mm) x <b>D</b> 5 <sup>3</sup> / <sub>4</sub> " (146 mm)	
Weight	8.0 lb (3.6 kg)	
Frost protection setting	45 °F (7 °C)	



UltraHot Plus®



UltraHot Premium®

<sup>1</sup> This is our recommendation as the manufacturer. Check local codes for compliance if necessary.



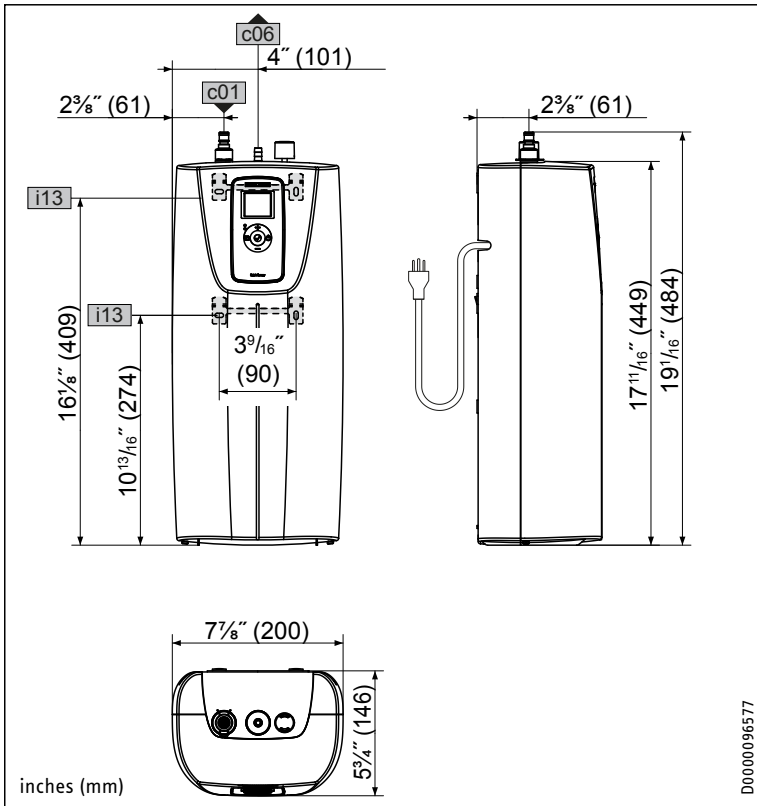
Conforms to UL Std. 499  
Certified to CAN/CSA Std. 22.2 No. 64



Tested and certified by WQA to NSF/ANSI/CAN 372 for lead free compliance.



# Dimensions



	UltraHot® Plus/Premium
c01 Cold water supply	Connectors
c06 Hot water outlet	Nozzle
i13 Wall mounting bracket	2 positions possible

D0000096577