

UltraHot® Faucets

Technical specifications

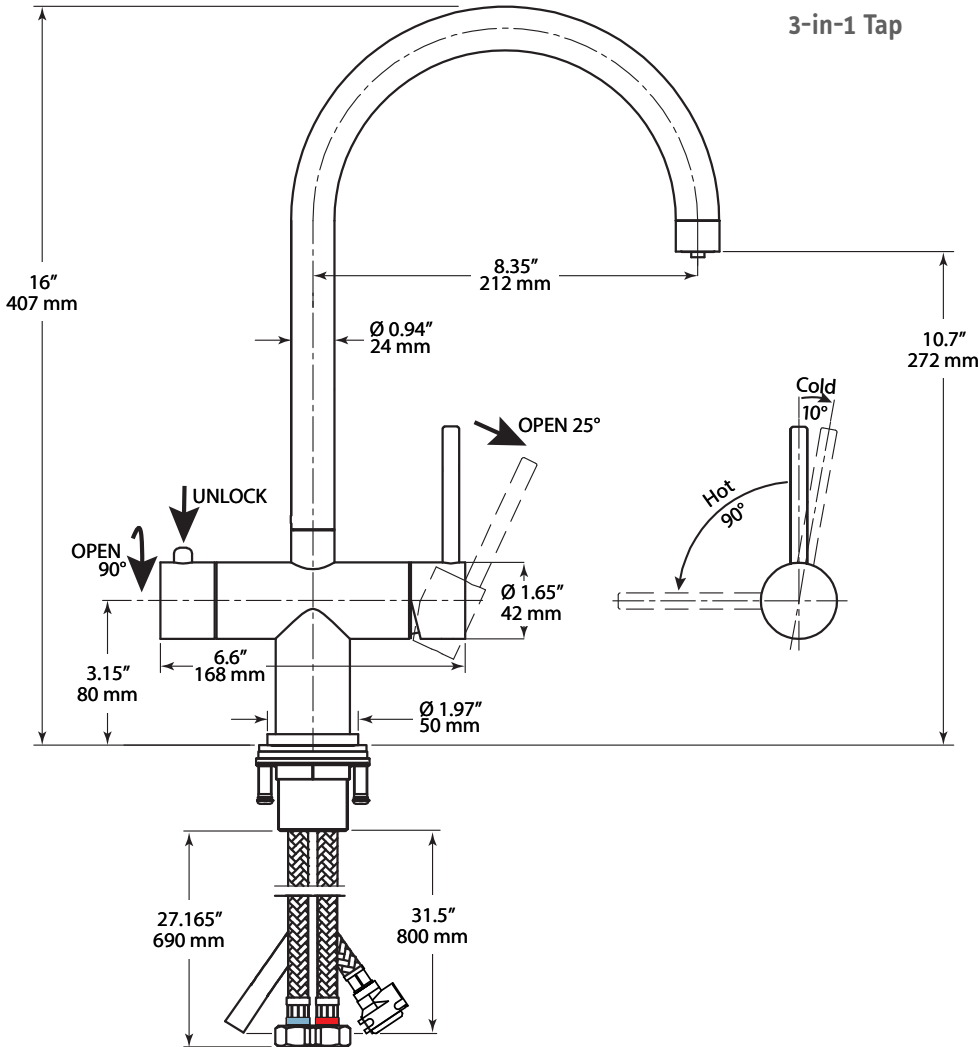
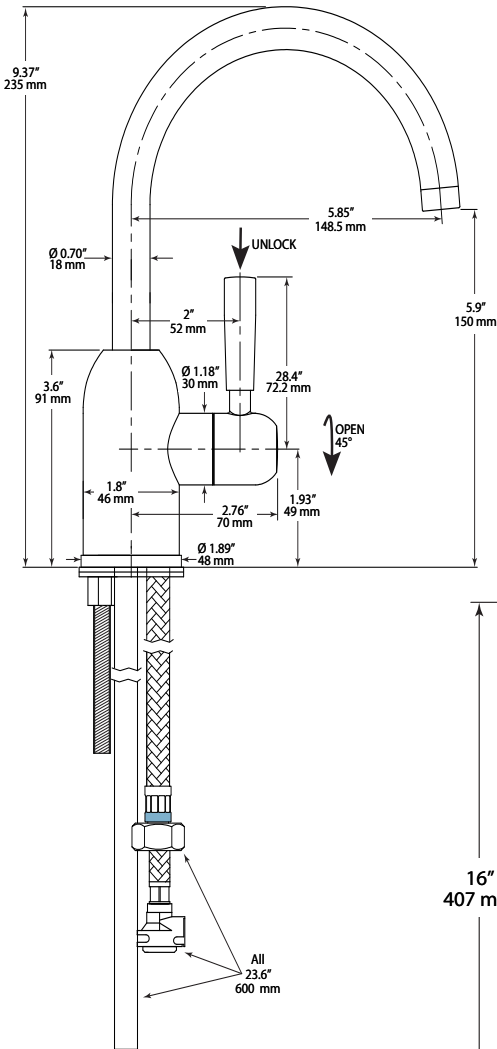
Model	Mono-Tap Faucets		3-in-1 Combination Faucets	
Item type	Non-pressurized faucet for instant hot water dispenser			
Description	dispenses near-boiling water only		dispenses near-boiling water plus hot & cold water from domestic supply	
Product name	Mono N1c	Mono N1b	3-in-1 N1c	3-in-1 N1b
Item number	203885	203886	203887	203888
Alternate Item Number	351543	351544	351545	351546
Finish	Chrome	Brushed Nickel	Chrome	Brushed Nickel
Max. flow rate of near-boiling water	0.66 gpm (2.5 l/min)			
Max. flow rate of hot/cold domestic water	n/a		1.3 gpm (5 l/min)	
Max. permissible pressure domestic cold water supply to faucet	87 psi (0.6 MPa)			
Max. permissible pressure near-boiling water to faucet	0 (pressureless)			
Faucet overall height	9 ¹ / ₄ " (235 mm)		16" (407 mm)	
Faucet reach	5 ⁷ / ₈ " (148.5 mm)		8 ¹¹ / ₃₂ " (212 mm)	
Height to faucet spout	5 ⁵ / ₁₆ " (150 mm)		10 ¹¹ / ₁₆ " (272 mm)	
Back-splash clearance	2" (51 mm) minimum			
Hole diameter	1 ¹ / ₄ –1 ¹ / ₂ " (32–38 mm)			
Max. counter thickness	3" (76 mm)			
Weight	2.75 lb (1.25 kg)		4.5 lb (2.05 kg)	



Tested and certified by WQA to NSF/ANSI/CAN 372 for lead free compliance.

UltraHot® Faucets

Dimensions



rev. 5.2024 Due to our continuous process of engineering and technological advancement, specifications may change without notice.